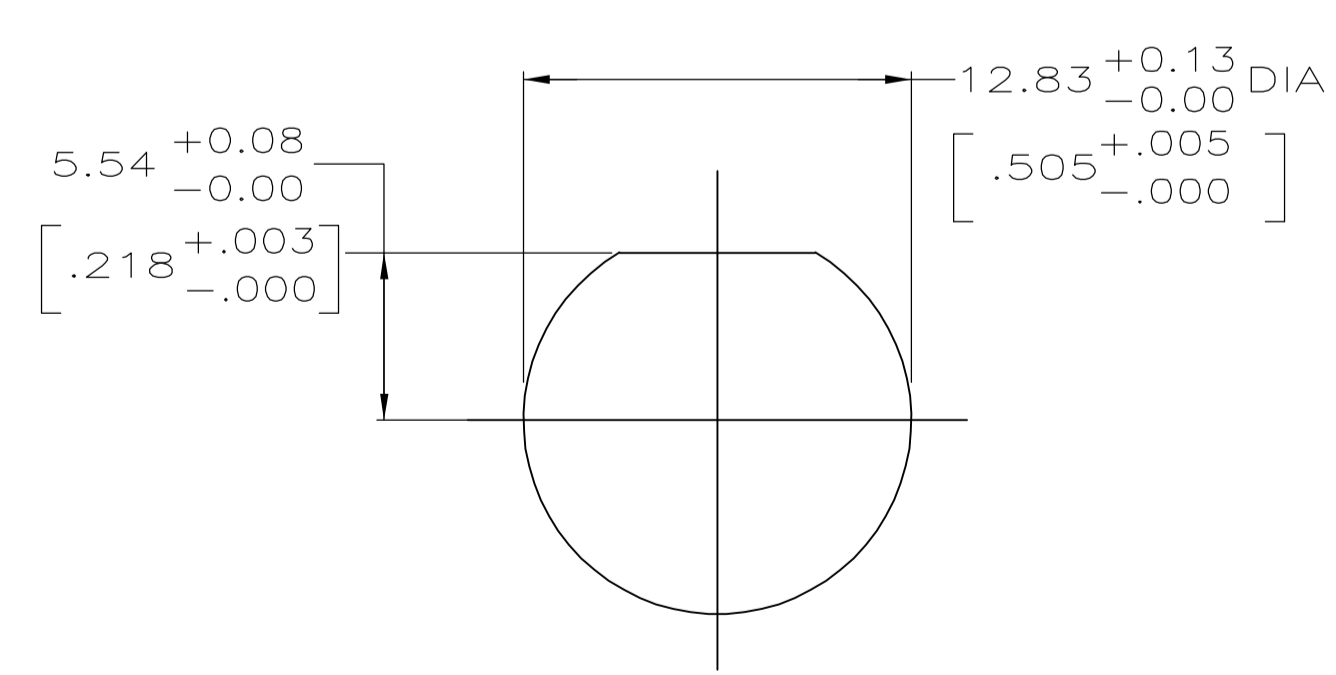
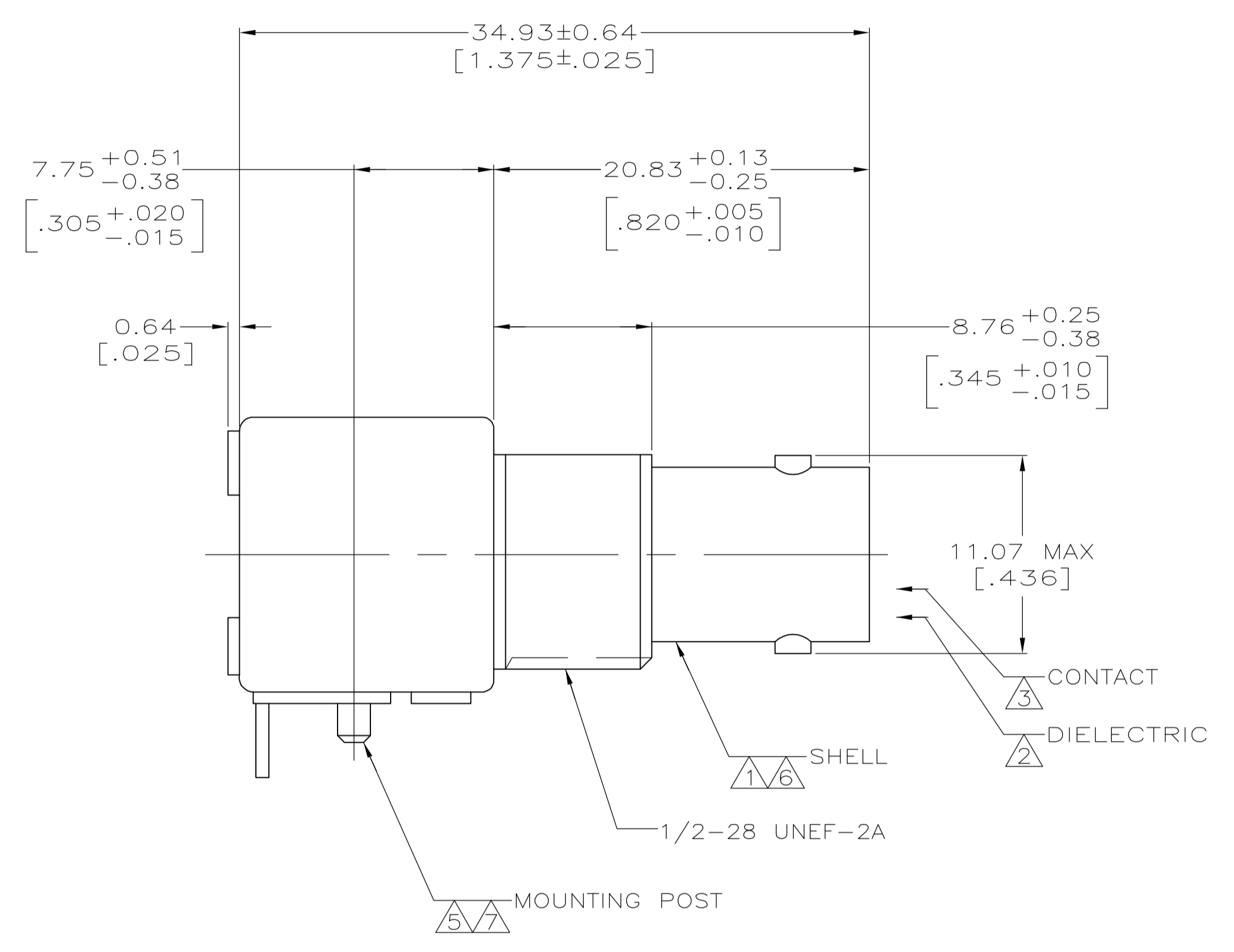
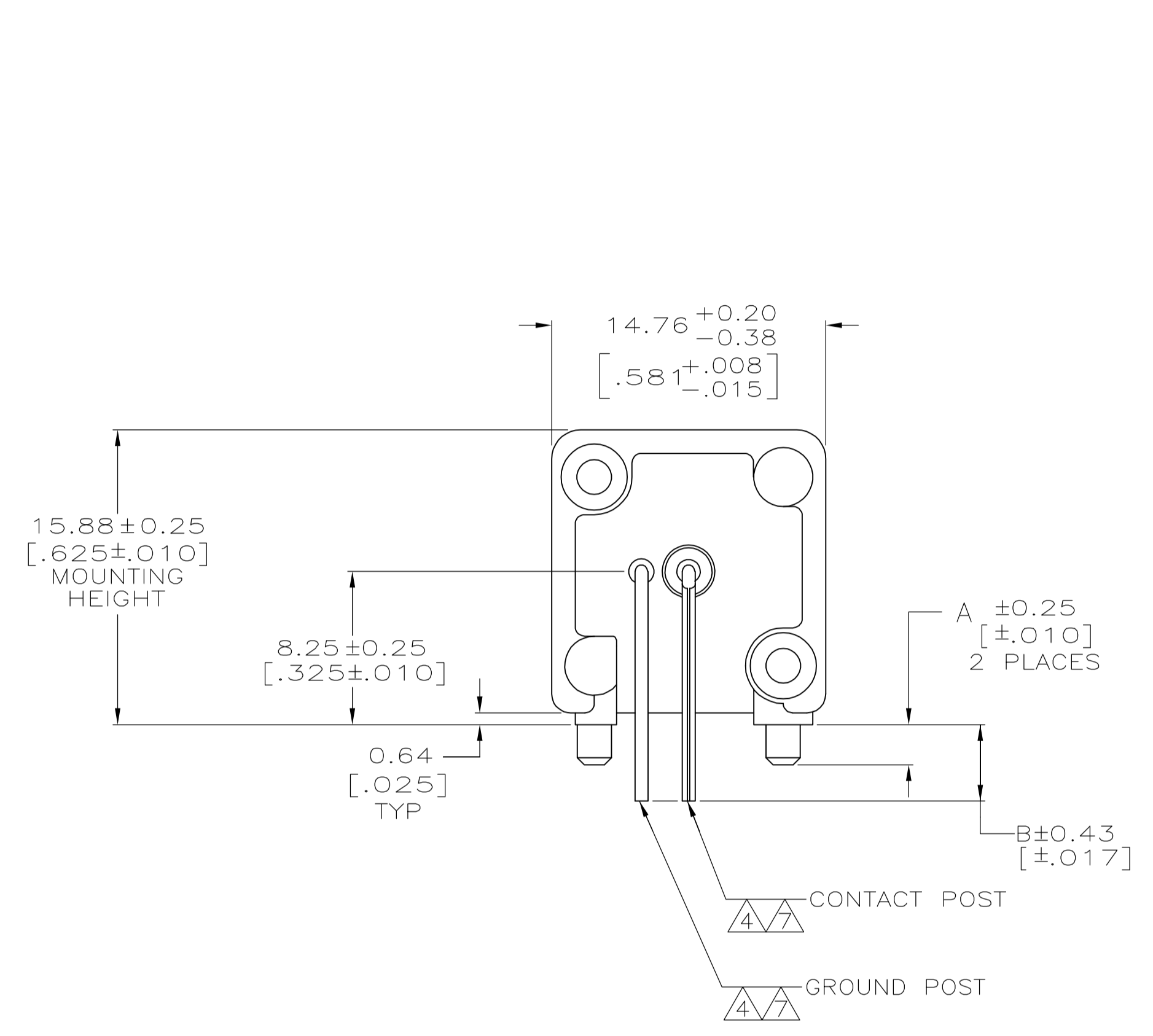
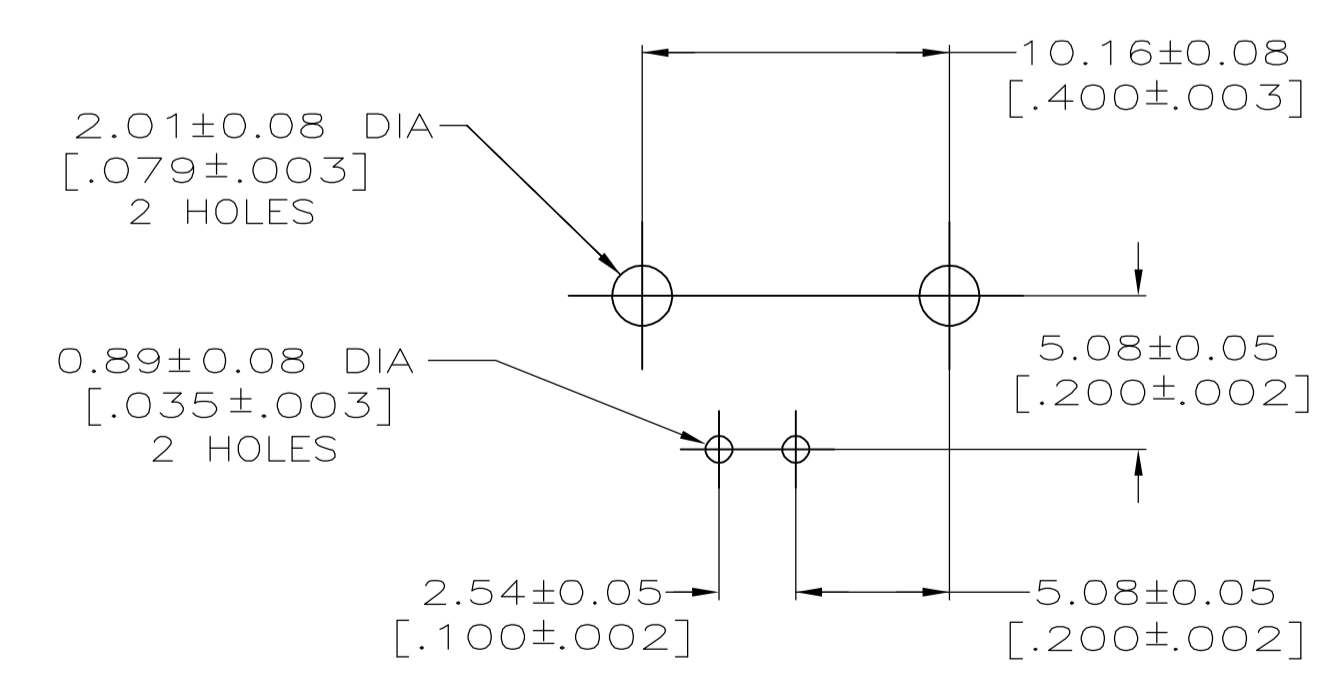


- 1 ZINC PER QQ-Z-363.
 - 2 POLYMETHYLPENTENE, GENERAL PURPOSE.
 - 3 BERYLLIUM COPPER PER QQ-C-530.
 - 4 BRASS PER ASTM-B-453.
 - 5 BRASS PER ASTM-B-16.
 - 6 NICKEL PLATE PER QQ-N-290, 3.81 μm [.000150] MINIMUM THICK.
 - 7 TIN PLATE PER ASTM-B-545, 3.81 μm [.000150] MINIMUM THICK.
 - 8 GOLD PLATE PER MIL-G-45204, 0.76 μm [.000030] MINIMUM THICK.
 - 9 SILVER PLATE PER QQ-S-365, 2.54 μm [.000100] MINIMUM THICK.
 - 10 GOLD PLATE PER MIL-G-45204, 1.27 μm [.000050] MINIMUM THICK.
11. SEE INSTRUCTION SHEET 2769.



RECOMMENDED PANEL CUTOUT



PCB CONFIGURATION

OBSOLETE	4.11	[.162]	2.16	[.085]		222092-5
OBSOLETE	2.92	[.115]	2.16	[.085]		222092-4
	4.11	[.162]	3.48	[.137]		222092-3
OBSOLETE	4.11	[.162]	2.16	[.085]		222092-2
	4.11	[.162]	2.16	[.085]		222092-1

DIMENSIONS:		TOLERANCES UNLESS OTHERWISE SPECIFIED:		APPROVALS:		PRODUCT SPEC:		APPLICATION SPEC:		SIZE:		WEIGHT:		RESTRICTED TO:	
INCHES:		0 PLC	± -	DIN	J. LIPPERT	3-4-92				A1	00779	222092			
		1 PLC	± -	CHK	A. GABANY	3-13-92									
		2 PLC	± 0.20 [.008]	APVD	A. GABANY	3-13-92									
		3 PLC	± -	NAME	Tyco Electronics Corporation Harrisburg, PA 17105-3608										
		4 PLC	± -	NAME	JACK, RIGHT ANGLE, PCB 75 OHM, SERIES BNC										
		ANGLES	± -	PRODUCT SPEC											
			± -	APPLICATION SPEC											
MATERIAL	SEE NOTES 1-5	FINISH	SEE NOTES 6-10	SCALE	1:1		SHEET	1 OF 1		REV	K				