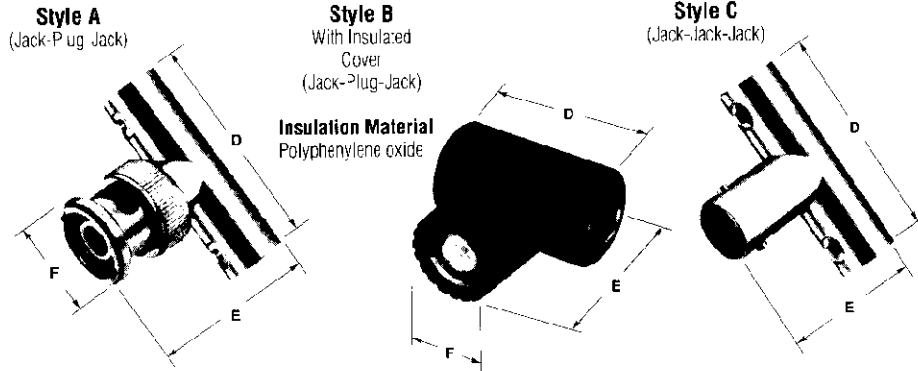


## BNC Connectors, 50 Ohm (Continued)

### Tee Adapters



BNC Connectors

Style	Body Material and Plating	Center Contact Material and Plating	Dielectric	Dimensions			Part No.	Comparable UG/U Connector	Packaging Number Per Pkg.
				D	E	F			
A	Brass, Nickel	BE CU, Gold (30) <sup>1</sup>	TEFLON	1.281 32.54	1.031 26.19	.562 14.27	221543-2	274A	Bulk (100)
		PH BR, Gold (15) <sup>4</sup>	Acetal	1.300 33.02	1.075 27.31	.571 14.50	413592-2	—	Bulk (100)
		PH BR, Silver (200) <sup>2</sup>	Acetal	1.300 33.02	1.075 27.31	.571 14.50	413592-4	—	Bulk (100)
		BE CU, Gold (30) <sup>1</sup>	Acetal	1.300 33.02	1.075 27.31	.571 14.50	413592-6	—	Bulk (100)
		BE CU, Silver (200) <sup>2</sup>	Acetal	1.300 33.02	1.075 27.31	.571 14.50	413592-8	—	Bulk (100)
	Zinc, Nickel	PH BR, Gold (15) <sup>4</sup>	Acetal	1.300 33.02	1.075 27.31	.571 14.50	413592-9	—	Individual (1) 5
		PH BR, Silver (200) <sup>2</sup>	Acetal	1.300 33.02	1.075 27.31	.571 14.50	1-413592-0	—	Individual (1) 5
		BE CU, Silver (200) <sup>2</sup>	Acetal	1.300 33.02	1.075 27.31	.571 14.50	1-413592-1	—	Individual (1)
		BE CU, Gold (30) <sup>1</sup>	Acetal	1.300 33.02	1.075 27.31	.571 14.50	1-413592-4	—	Bulk
		PH BR, Silver (200) <sup>2</sup>	Acetal	1.300 33.02	1.075 27.31	.571 14.50	1-413592-5	—	Bulk (5)
B	Zinc Nickel	PH BR, Gold (15) <sup>4</sup>	Acetal	1.300 33.02	1.075 27.31	.571 14.50	1-413592-7	—	Bulk (5)
		BE CU, Silver (200) <sup>2</sup>	TEFLON	1.281 32.54	1.031 26.19	.562 14.27	329510	274B	Individual (1)
C	Zinc, Nickel	PH BR, Gold (15) <sup>4</sup>	Acetal	1.281 32.54	1.225 31.12	.675 17.15	413366-1 <sup>1</sup> 413366-2 <sup>2</sup>	—	Bulk (100)
		PH BR, Gold (15) <sup>4</sup>	Acetal	1.281 32.54	1.225 31.12	.675 17.15	413366-3 <sup>2,3</sup>	—	Bulk (100)
C	Zinc, Nickel	BE CU, Silver (200) <sup>2</sup>	TEFLON	1.281 32.54	.920 23.37	—	221988-1	—	Bulk (100)
		PH BR, Gold (50) <sup>5</sup>	Acetal	1.281 32.54	.930 23.62	—	414311-1	—	Bulk (100)

- <sup>1</sup>Black insulation cover
- <sup>2</sup>Gray insulation cover
- <sup>3</sup>Without insulation cap
- <sup>4</sup>(Microinches min thickness)
- <sup>5</sup>(Special graphics)

### Tee Adapter Covers

Material — Polypropylene general purpose

Color	Part No.
Black	221586-1
Ivory	221586-3

