

THIS DRAWING IS UNPUBLISHED. RELEASED FOR PUBLICATION
 © COPYRIGHT BY TYCO ELECTRONICS CORPORATION. ALL RIGHTS RESERVED.

LOC	DIST	REVISIONS					
		P	LTR	DESCRIPTION	DATE	DWN	APVD
AJ	16						
		U1		REVISED PER ECO-06-018704	18SEP2006	MC	JH
		U2		REVISED PER ECO-09-021826	12SEP09	KK	AEG

1 DIELECTRIC : DELRIN/POLYMETHYLPENTENE
 PLUG CENTER CONTACT : BRASS
 PLUG OUTER CONTACT : BRASS
 SHELL : ZINC

2 GOLD PLATE, .000015 MINIMUM THICK
 OVER .000050 MINIMUM THICK NICKEL.

3 NICKEL PLATE .000120 MINIMUM THICK

5. INTERMATEABLE WITH PRODUCT PER MIL-C-39012

6 GOLD PLATE, .000030 MINIMUM THICK
 OVER .000050 MINIMUM THICK NICKEL.

7 SILVER PLATE .000200 MINIMUM THICK
 OVER .000050 MINIMUM THICK NICKEL.

8 PHOSPHOR BRONZE

9 BERYLLIUM COPPER

10 SEE SEPARATE RESTRICTED CUSTOMER DRAWINGS

11 SPECIAL PACKAGING: INDIVIDUALLY PACKAGED
 FOR NETCON.

12 BULK PACKAGED: 25 PCS PER BAG

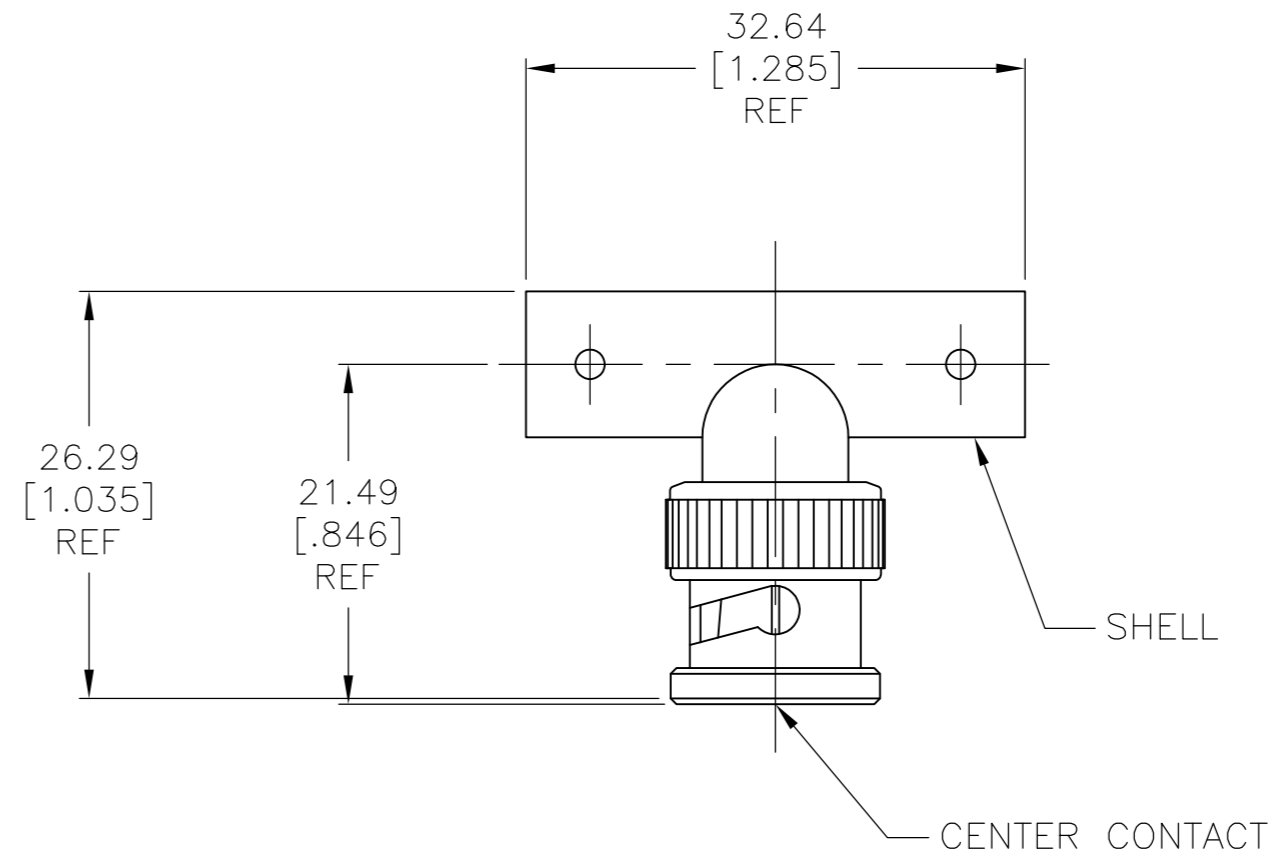
13 BULK PACKAGED: 100 PCS PER BAG

14 BULK PACKAGED: 5 PCS PER BLISTER PACK

15 BULK PACKAGED: 5 PCS PER BOX

16 INDIVIDUALLY PACKAGED

17 OBSOLETE PARTS: OBSOLETE CIS STREAMLINING PER D.RENAUD/D.SINISI



14	SUPERCEDED BY 413592-2	8	3	2	1-413592-7
10	OBSOLETE	-	-	-	1-413592-6
15	SUPERCEDED	8	3	7	1-413592-5
13, 17	OBSOLETE	8	3	6	1-413592-4
		-	-	-	-
		-	-	-	-
16, 17	OBSOLETE	9	3	7	1-413592-1
17	OBSOLETE	8	3	7	1-413592-0
17	SUPERCEDED BY 5413592-9	8	3	2	413592-9
13	OBSOLETE	9	3	7	413592-8
		13	3	6	413592-6
13	OBSOLETE	8	3	7	413592-4
		13	3	2	413592-2

MATERIAL: JACK CENTER CONTACT	SHELL PLATING	CONTACT PLATING	PART NO
-------------------------------	---------------	-----------------	---------

THIS DRAWING IS A CONTROLLED DOCUMENT.		DWN J. LIPPERT 6-27-90	Tyco Electronics Corporation Tyco Electronics Corporation Harrisburg, Pa 17105-3608	
DIMENSIONS: mm [INCHES]		CHK D.LAMAN 6-27-90	NAME T-ADAPTER SERIES BNC	
TOLERANCES UNLESS OTHERWISE SPECIFIED:		APVD D.LAMAN 6-27-90	PRODUCT SPEC 108-12090	
0 PLC ± -		APPLICATION SPEC -	SIZE A2	CAGE CODE 00779
1 PLC ± -		WEIGHT -	DRAWING NO C=413592	
2 PLC ± -			RESTRICTED TO -	
3 PLC ± -			SCALE 2:1 SHEET 1 OF 1 REV U2	
4 PLC ± -				
ANGLES ± -				
MATERIAL 1 8 9	FINISH 2 3 6 7	CUSTOMER DRAWING		