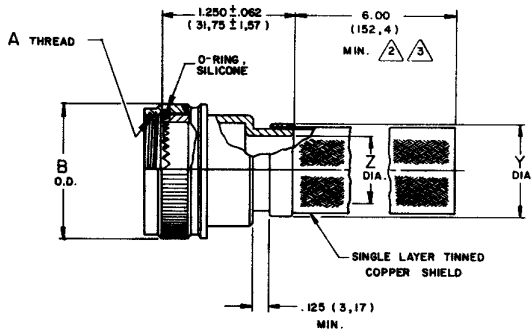


REVISIONS			
LTN	DESCRIPTION	DATE	APPROVED
A	REVISED PER ECN AP-24	2.26.91	G. Jan

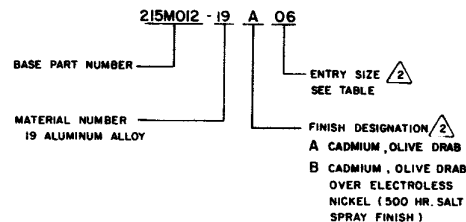


BASE PART NUMBER	SHELL SIZE ⚠	ENTRY SIZE ⚠	A R. H. THREAD CLASS 2B	B MAX O. D.	Y DIA. REF.	Z DIA. 1.020 (± 0.52)
215M008	8	04	.438 - 28 UNEF	.688 (17.48)	.457 (11.61)	.250 (6.35)
215M010	10	05	.562 - 24 UNEF	.812 (20.62)	.519 (13.18)	.312 (7.92)
215M012	12	06	.688 - 24 UNEF	.936 (23.83)	.582 (14.78)	.375 (9.53)
215M014	14	08	.812 - 20 UNEF	1.062 (26.97)	.707 (17.96)	.500 (12.70)
215M016	16	10	.932 - 20 UNEF	1.188 (30.18)	.832 (21.13)	.625 (15.88)
215M018	18	12	1.062 - 18 UNEF	1.312 (33.32)	.957 (24.31)	.750 (19.05)
215M020	20	12	1.188 - 18 UNEF	1.438 (36.53)	.957 (24.31)	.750 (19.05)
215M022	22	16	1.312 - 18 UNEF	1.562 (39.67)	1.207 (30.66)	1.000 (25.40)
215M024	24	16	1.438 - 18 UNEF	1.688 (42.88)	1.207 (30.66)	1.000 (25.40)

NOTES:

- ALL DIMENSIONS ARE IN INCHES (MILLIMETERS).
- ⚠ CONSULT FACTORY FOR OPTIONAL ENTRIES, FINISHES AND SHIELD LENGTHS.
- ⚠ USAGE LENGTH TO BE DETERMINED AND TRIMMED BY USER.
- ⚠ SHELL SIZE FOR DEFENSE STANDARD 59-35, (PART 5) PATTERN 608

ORDERING INFORMATION



SPECIFICATION CONTROL DRAWING

DRAWN	Checked	T. 91.88	TYCO Tyco Electronics Corporation 245 Condit Road Sunnyvale, CA 94085 USA	Raychem
CHECKED	8-1-88			
APPROVED			TITLE	
APPROVED			ADAPTER, SHIELD, STRAIGHT	
APPROVED			SIZE	CODE DEPT
APPROVED			D	06090
UNLESS OTHERWISE SPECIFIED DIMENSIONS ARE IN INCHES AND TOLERANCES ARE			DWG NO	215M0XX
DO NOT SCALE THIS DRAWING			SHEET 1 OF 1	

If this document is printed it becomes uncontrolled.
Check for the latest revision.