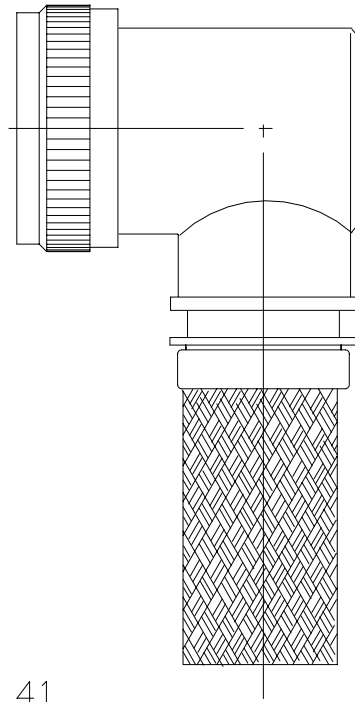


REVISIONS			
LTR	DESCRIPTION	DATE	APPROVED
L	REVISED PER ECN AD93068		



CODE 41,  
SHIELDED 90° ADAPTER

NOTES:

1. THIS PRODUCT IS DESIGNED TO TERMINATE A HEAT SHRINKABLE LIPPED BOOT TO A CONNECTOR.
2. FOR ADDITIONAL DIMENSIONS, ORDERING INFORMATION AND MODIFICATIONS, SEE CH00-0250-004.
3. ADAPTER TO BE PERMANENTLY MARKED WITH CODE IDENT. NO. AND PART NO. (E.G.: 06090-204M212-19B08).
- ④ FOR LARGER ENTRY SIZES, A 2 PIECE ADAPTER (TYPE II) IS SUPPLIED.
- ⑤ BRAID TERMINATION RING MAY BE SUPPLIED AS TINEL-LOCK SHAPE MEMORY RING AT MANUFACTURER'S OPTION.
- ⑥ ADAPTER MATES TO MIL-C-38999 SERIES I & II, CLASS E & T, MS27466, MS27467, MS27468, MS27472, MS27473, MS27474, MS27479, MS27480, MS27481, MS27484, MS27497, MS27652, MS27653, MS27654, MS27656 CONNECTORS.

If this document is printed it becomes uncontrolled.  
Check for the latest revision.

SPECIFICATION CONTROL DRAWING

UNLESS OTHERWISE SPECIFIED DIMENSIONS ARE IN INCHES. METRIC DIMENSIONS ARE IN BRACKETS.  DECIMALS .XXX ± — [ mm] .XX ± — [ mm] .X ± — [ mm]  ANGLES .X ± —	DRAWN R. RAMIREZ	DATE 03-19-93		Tyco Electronics Corporation 300 Constitution Drive Menlo Park, CA. 94025 U.S.A.		
	CHECKED	DATE				
	APPROVED W. C. GAY	DATE 05-19-93	TITLE ADAPTER, SHIELD 90° CODE 41			
	APPROVED	DATE	CAD NAME \ACAD12\204M2XX			
THIRD ANGLE PROJECTION			SIZE A	CODE IDENT. NO. 06090	DWG. NO. 204M2XX	REV L
			DO NOT SCALE THIS DWG		SHEET 1 OF 3	

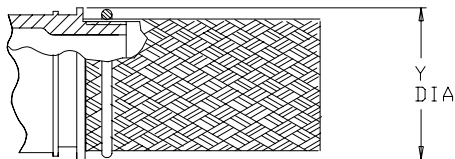
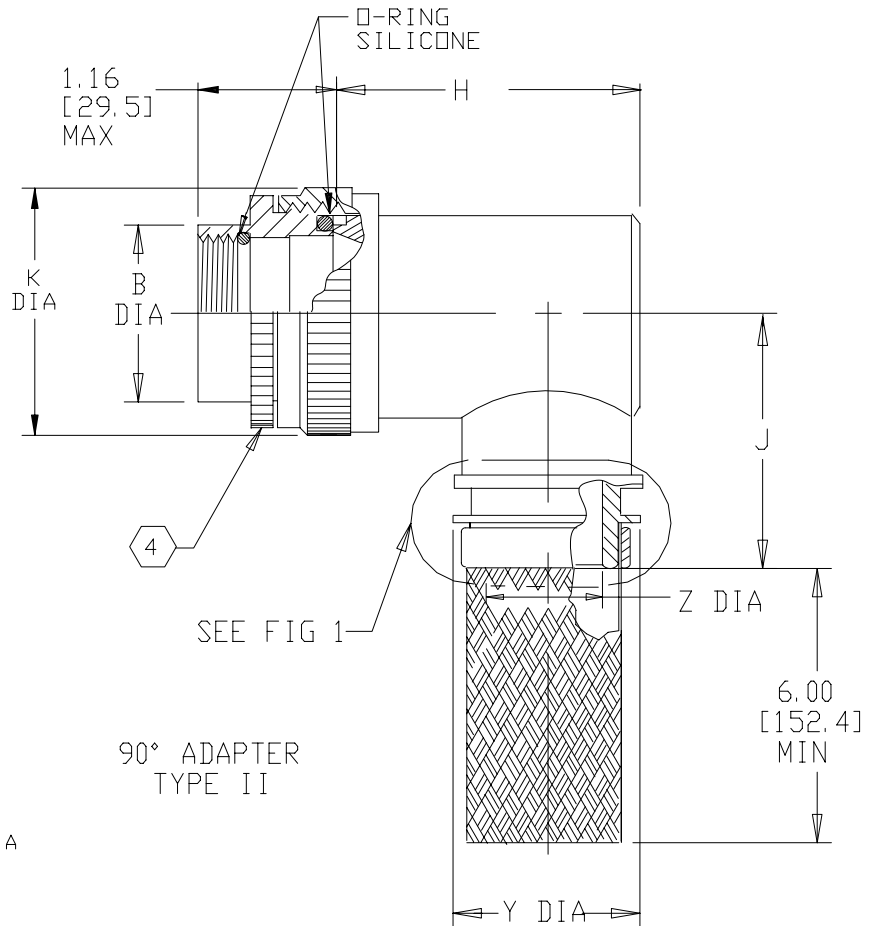
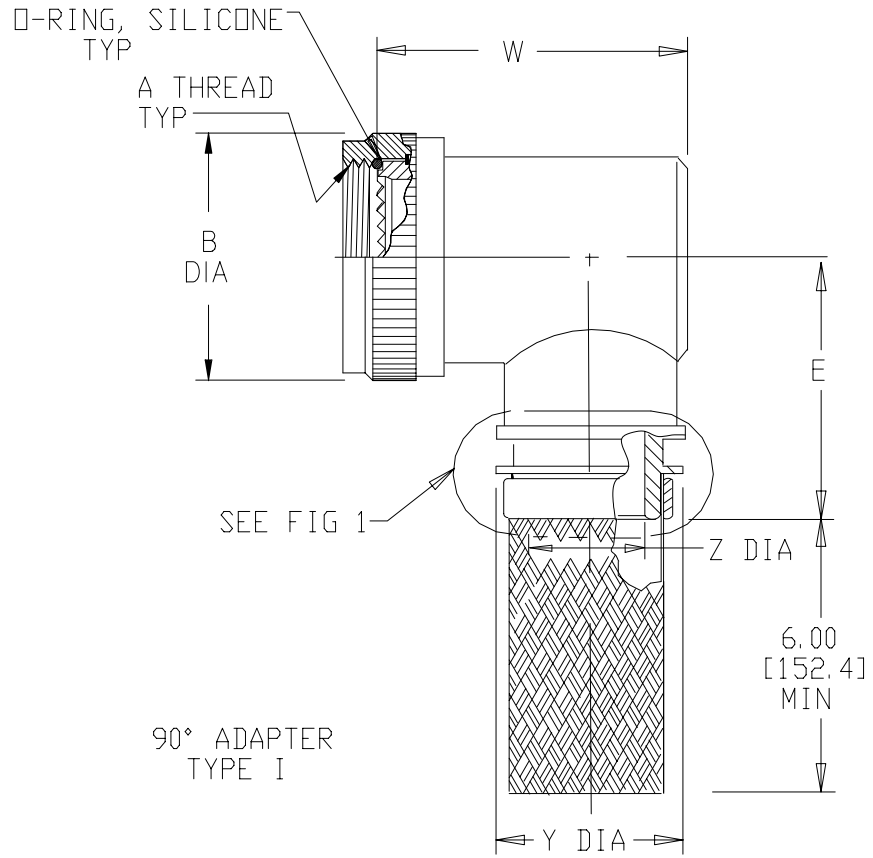


FIG 1 5

If this document is printed it becomes uncontrolled.  
Check for the latest revision.

SIZE	CODE IDENT. NO.	DWG. NO.	REV
A	06090	204M2XX	L
DO NOT SCALE THIS DWG			CAD NAME \ACAD12\204M2X-2 SHEET 2 OF 3

TABLE I


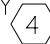
BASE PART NO.	SHELL SIZE 		MAX ENTRY SIZE TYPE I 	A THREAD CLASS 2B	B DIA MAX	E MAX
	SER 1	SER 2				
204M208	9	8	04	.438-28 UNEF	.750 [19.1]	1.15 [29.2]
204M210	11	10	06	.562-24 UNEF	.850 [21.6]	1.21 [30.7]
204M212	13	12	08	.688-24 UNEF	1.000 [25.4]	1.28 [32.5]
204M214	15	14	10	.812-20 UNEF	1.100 [27.9]	1.34 [34.0]
204M216	17	16	12	.938-20 UNEF	1.250 [31.8]	1.40 [35.6]
204M218	19	18	13	1.062-18 UNEF	1.400 [35.6]	1.46 [37.1]
204M220	21	20	15	1.188-18 UNEF	1.500 [38.1]	1.53 [38.9]
204M222	23	22	16	1.312-18 UNEF	1.650 [41.9]	1.59 [40.4]
204M224	25	24	18	1.438-18 UNEF	1.750 [44.5]	1.65 [41.9]

TABLE II

ENTRY SIZE	K MAX	Z ±.020 [±0.51]	Y DIA MIN	J MAX	W MAX	H MAX
03	NA	.187 [4.75]	.393 [9.98]	NA	1.07 [27.2]	NA
04	NA	.250 [6.35]	.456 [11.58]	NA	1.07 [27.2]	NA
05	.80 [20.3]	.312 [7.92]	.515 [13.08]	1.16 [29.5]	1.13 [28.7]	1.19 [30.2]
06	.80 [20.3]	.375 [9.53]	.581 [14.76]	1.16 [29.5]	1.19 [30.2]	1.19 [30.2]
07	.92 [23.4]	.438 [11.13]	.643 [16.33]	1.22 [31.0]	1.25 [31.8]	1.38 [35.1]
08	.92 [23.4]	.500 [12.70]	.705 [17.91]	1.22 [31.0]	1.32 [33.5]	1.38 [35.1]
09	1.18 [30.0]	.562 [14.27]	.705 [17.91]	1.35 [34.3]	1.44 [36.6]	1.51 [38.4]
10	1.18 [30.0]	.625 [15.88]	.831 [21.11]	1.35 [34.3]	1.44 [36.6]	1.51 [38.4]
11	1.18 [30.0]	.688 [17.48]	.893 [22.68]	1.40 [35.6]	1.57 [39.9]	1.63 [41.4]
12	1.35 [34.3]	.750 [19.05]	.953 [24.21]	1.40 [35.6]	1.57 [39.9]	1.63 [41.4]
13	1.41 [35.8]	.812 [20.62]	.953 [24.21]	1.46 [37.1]	1.69 [42.9]	1.78 [45.2]
14	1.41 [35.8]	.875 [22.23]	1.081 [27.46]	1.46 [37.1]	1.69 [42.9]	1.78 [45.2]
15	1.60 [40.6]	.938 [23.83]	1.143 [29.03]	1.53 [38.9]	1.82 [46.2]	1.88 [47.8]
16	1.60 [40.6]	1.000 [25.40]	1.205 [30.61]	1.53 [38.9]	1.82 [46.2]	1.88 [47.8]
18	1.66 [42.2]	1.125 [28.58]	1.381 [35.08]	1.59 [40.4]	1.94 [49.3]	2.01 [51.1]
20	2.04 [51.8]	1.250 [31.75]	1.506 [38.25]	1.78 [45.2]	NA	2.13 [54.1]
22	2.23 [56.6]	1.375 [34.93]	1.631 [41.43]	1.85 [47.0]	NA	2.29 [58.2]
24	2.23 [56.6]	1.500 [38.10]	1.756 [44.60]	1.92 [48.8]	NA	2.42 [61.5]
28	2.48 [63.0]	1.750 [44.45]	2.004 [50.90]	2.17 [55.1]	NA	2.67 [67.8]

If this document is printed it becomes uncontrolled.  
Check for the latest revision.

SIZE	CODE IDENT. NO.	DWG. NO.	REV
A	06090	204M2XX	L
DO NOT SCALE THIS DWG		CAD NAME \ACAD12\204M2X-3	SHEET 3 OF 3