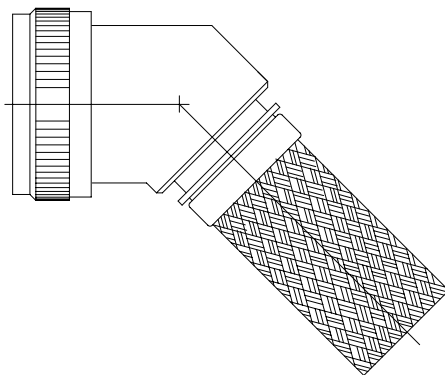


REVISIONS			
LTR	DESCRIPTION	DATE	APPROVED
K	REVISED PER ECN AD94021		



CODE 40 SHIELDED 45° ADAPTER

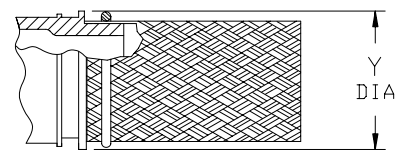
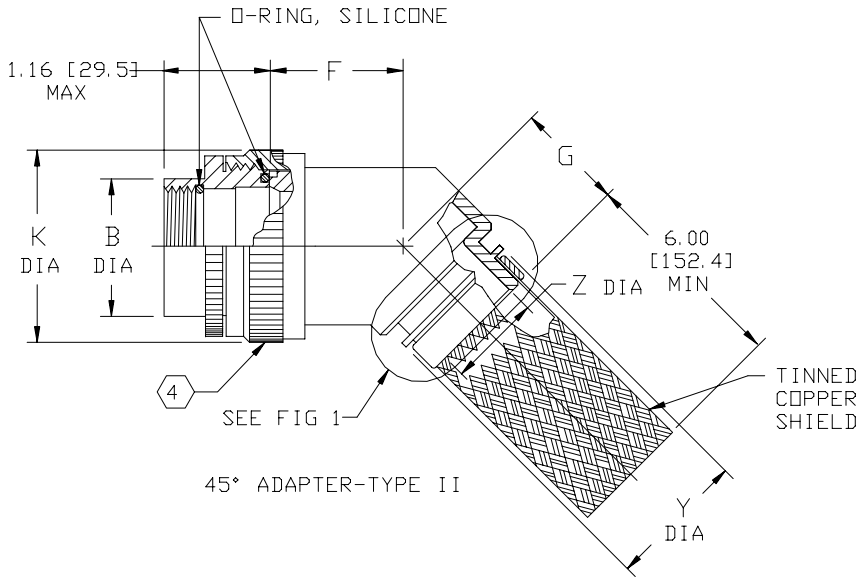
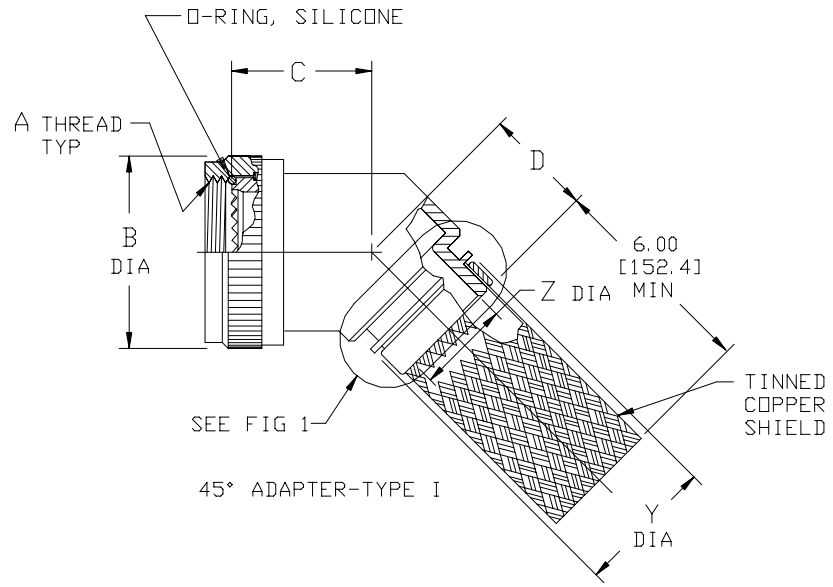
NOTES:

- THIS PRODUCT IS DESIGNED TO TERMINATE A HEAT SHRINKABLE LIPPED BOOT TO A CONNECTOR.
- FOR ADDITIONAL DIMENSIONS, ORDERING INFORMATION AND MODIFICATIONS, SEE CH00-0250-004.
- ADAPTER TO BE PERMANENTLY MARKED WITH CODE IDENT. NO. AND PART NO. (E.G.: 06090-208M812-19B08).
- FOR LARGER ENTRY SIZES, A 2 PIECE ADAPTER (TYPE II) IS SUPPLIED.
- BRAID TERMINATION RING MAY BE SUPPLIED AS TINEL-LOCK SHAPE MEMORY RING AT MANUFACTURER'S OPTION.
- ADAPTER MATES TO MIL-C-38999 SERIES III AND IV, CLASS C, F, K AND W, D38999/20, /24, /26, /40, /46, /47, CONNECTORS, AND WHEN SO MATED SHALL PROVIDE A WATER-TIGHT SEAL MEETING THE REQUIREMENTS OF MIL-C-85049 PAR. 3.5.7.

If this document is printed it becomes uncontrolled.
Check for the latest revision.

SPECIFICATION CONTROL DRAWING

UNLESS OTHERWISE SPECIFIED DIMENSIONS ARE IN INCHES. METRIC DIMENSIONS ARE IN BRACKETS. DECIMALS .XXX ± — [mm] .XX ± — [mm] .X ± — [mm] ANGLES .X ± —	DRAW R. RAMIREZ	DATE 03-19-93		Tyco Electronics Corporation 300 Constitution Drive Menlo Park, CA. 94025 U.S.A.		
	CHECKED	DATE				
	APPROVED W. C. GAY	DATE 04-28-93	TITLE ADAPTER, SHIELD, 45° CODE 40			
	APPROVED	DATE	CAD NAME \ACAD12\208M8XX			
THIRD ANGLE PROJECTION			SIZE A	CODE IDENT. NO. 06090	DWG. NO. 208M8XX	REV K
			DO NOT SCALE THIS DWG		SHEET 1 OF 3	



TINEL-LOCK TERMINATION

FIG 1 (5)

If this document is printed it becomes uncontrolled.
Check for the latest revision.

SIZE	CODE IDENT. NO.	DWG. NO.	REV
A	06090	208M8XX	K
DO NOT SCALE THIS DWG		CAD NAME \ACAD12\208M8X-2	SHEET 2 OF 3

TABLE I



BASE PART NO.	SHELL SIZE 		MAX ENTRY SIZE TYPE I 	A METRIC THD CLASS 6H	B DIA MAX	C MAX	D MAX
	COML	MIL					
208M808	9	A	04	M12 X 1.0	.750 [19.1]	.82 [20.8]	.89 [22.6]
208M810	11	B	07	M15 X 1.0	.850 [21.6]	.84 [21.3]	.92 [23.4]
208M812	13	C	09	M18 X 1.0	1.000 [25.4]	.87 [22.1]	.95 [24.1]
208M814	15	D	10	M22 X 1.0	1.150 [29.2]	.89 [22.6]	.95 [24.1]
208M816	17	E	12	M25 X 1.0	1.250 [31.8]	.92 [23.4]	.98 [24.9]
208M818	19	F	14	M28 X 1.0	1.400 [35.6]	.95 [24.1]	1.01 [25.7]
208M820	21	G	16	M31 X 1.0	1.500 [38.1]	.97 [24.6]	1.04 [26.4]
208M822	23	H	18	M34 X 1.0	1.650 [41.9]	1.00 [25.4]	1.07 [27.2]
208M824	25	J	20	M37 X 1.0	1.750 [44.5]	1.02 [25.9]	1.07 [27.2]

TABLE II

ENTRY SIZE	K MAX	Z ±.020 [±0.51]	Y DIA MIN	F MAX	G MAX
03	NA	.187 [4.75]	.393 [9.98]	NA	NA
04	NA	.250 [6.35]	.456 [11.58]	NA	NA
05	.80 [20.3]	.312 [7.92]	.515 [13.08]	.77 [19.6]	.93 [23.6]
06	.80 [20.3]	.375 [9.53]	.581 [14.76]	.77 [19.6]	.93 [23.6]
07	.92 [23.4]	.438 [11.13]	.643 [16.33]	.80 [20.3]	.95 [24.1]
08	.92 [23.4]	.500 [12.70]	.705 [17.91]	.80 [20.3]	.95 [24.1]
09	1.18 [30.0]	.562 [14.27]	.705 [17.91]	.84 [21.3]	1.00 [25.4]
10	1.18 [30.0]	.625 [15.88]	.831 [21.11]	.84 [21.3]	1.00 [25.4]
11	1.18 [30.0]	.688 [17.48]	.893 [22.68]	.86 [21.8]	1.01 [25.7]
12	1.35 [34.3]	.750 [19.05]	.953 [24.21]	.86 [21.8]	1.01 [25.7]
13	1.41 [35.8]	.812 [20.62]	.953 [24.21]	.88 [22.4]	1.04 [26.4]
14	1.41 [35.8]	.875 [22.23]	1.081 [27.46]	.88 [22.4]	1.04 [26.4]
15	1.60 [40.6]	.938 [23.83]	1.143 [29.03]	.91 [23.1]	1.06 [26.9]
16	1.60 [40.6]	1.000 [25.40]	1.205 [30.61]	.91 [23.1]	1.06 [26.9]
18	1.66 [42.2]	1.125 [28.58]	1.381 [35.08]	.93 [24.9]	1.09 [27.7]
20	2.04 [51.8]	1.250 [31.75]	1.506 [38.25]	.93 [24.9]	1.15 [29.2]
22	2.23 [56.6]	1.375 [34.93]	1.631 [41.43]	1.03 [26.2]	1.38 [35.1]
24	2.23 [56.6]	1.500 [38.10]	1.756 [44.60]	1.08 [27.4]	1.44 [36.6]
28	2.48 [63.0]	1.750 [44.45]	2.004 [50.90]	1.18 [30.0]	1.56 [39.6]

If this document is printed it becomes uncontrolled.
Check for the latest revision.

SIZE A	CODE IDENT. NO. 06090	DWG. NO. 208M8XX	REV K
DO NOT SCALE THIS DWG		CAD NAME \ACAD12\208M8X-3	SHEET 3 OF 3