

- UNIT A:
 P1: WHITE-GREEN
 P2: WHITE-GREEN
 P3: WHITE-GREEN
 P4: WHITE-GREEN
- UNIT B:
 P5: YELLOW-ORANGE
- UNIT C:
 6. RED
 7. VIOLET

CONNECTION TABLE			
UNIT	CABLE	CONN.1	CONN.2
UNIT	WIRE COLOR	PIN	PIN
A (BROWN)	GREEN	1	1
	DRAIN WIRE	2	2
	WHITE	3	3
A (RED)	GREEN	4	4
	DRAIN WIRE	5	5
	WHITE	6	6
A (GREEN)	GREEN	7	7
	DRAIN WIRE	8	8
	WHITE	9	9
A (BLUE)	GREEN	10	10
	DRAIN WIRE	11	11
	WHITE	12	12
C	RED	13	13
C	VIOLET	14	14
C	WHITE	15	15
C	GREEN	16	16
B	YELLOW	17	17
	ORANGE	18	18
C	BLUE	19	19
	SHIELD BRAID	SHELL	SHELL

1770019-8	5000±50
1770019-7	1500±20
1770019-6	1000±20
1770019-5	750±10
1770019-4	500±10
1770019-3	250±10
1770019-2	3000±30
1770019-1	2000±20
P/N	L

HEAT SHRINK TUBING, ID: 1.5MM, RED	11
HEAT SHRINK TUBING, ID: 1.5MM, BLUE	10
HEAT SHRINK TUBING, ID: 1.5MM, BROWN	9
SHELL, FOR HDMI	8
ACETATE TAPE, COLOR: BLACK, T:0.22MM, W:10MM, L:50MM	7
HEAT SHRINK TUBING, ID: 2.5MM, BLACK	6
HEAT SHRINK TUBING, ID: 0.7MM, BLACK	5
PVC, 40P, COLOR: BLACK	4
HEAT SHRINK TUBING, ID: 1.5MM, BLACK	3
HDMI 19PIN PLUG, CONTACT: GOLD FLASH, INSULATION: BLACK, SHELL: NICKEL PLATED	2
UL20276 (1P*30AWG+DRAIN+AL/MYLAR)*4+30AWG*1P +28AWG*5C+AL/MYLAR+DRAIN+BRAID, COLOR: BLACK	1

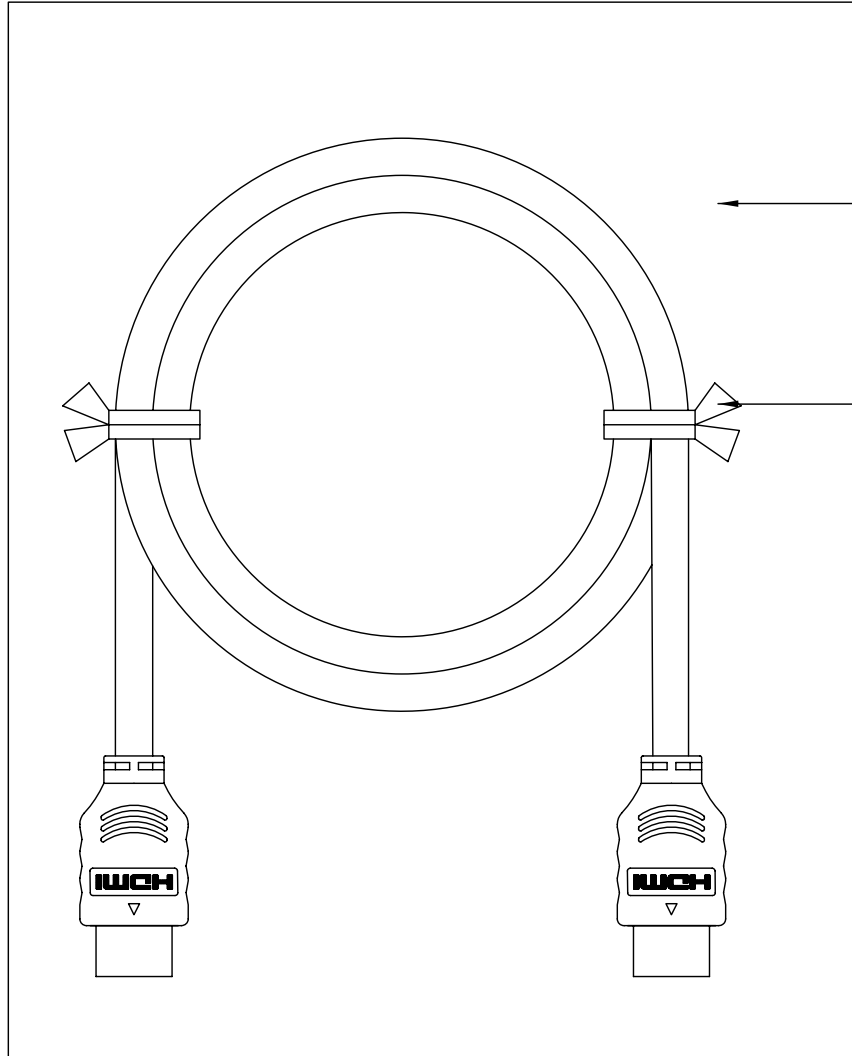
DESCRIPTION

ITEM NO.

THIS DRAWING IS A CONTROLLING DOCUMENT FROM TYCO ELECTRONICS IT IS SUBJECT TO CHANGE AND THE CONTROLLING ENGINEERING ORGANIZATION SHOULD BE CONTACTED FOR THE LATEST REVISION				SIZE A3	SCALE —	SHEET 1 OF 2	REV F	TYCO ELECTRONICS CABLE SYSTEMS ASIA PACIFIC	
DIMENSIONS: MM		TOLERANCES UNLESS OTHERWISE SPECIFIED: 0 PLC ± 1 PLC ± 2 PLC ± 3 PLC ±		DWN M.TSAI	ENG. J.PI		NAME CABLE ASSY, HDMI		
ANGLES ± SURFACE TEXTURE				CHK J.PI	CHK		DRAWING NO. C-1770019		
LOC HY DIST		F ECR-06-013736 07.JUN.06' MT JP		APVD J.CHEN	CUSTOMER DRAWING				
LTR		REVISION RECORD		DATE		DWN/AVE			

DWG. NO. C-1770019

THIS DRAWING IS UNPUBLISHED. RELEASED FOR PUBLICATION.
 © COPYRIGHT BY TYCO ELECTRONICS. ALL RIGHT RESERVED.



1PCS/PE BAG

MINI TIE

1770019-8	5000±50
1770019-7	1500±20
1770019-6	1000±20
1770019-5	750±10
1770019-4	500±10
1770019-3	250±10
1770019-2	3000±30
1770019-1	2000±20
P/N	L

THIS DRAWING IS A CONTROLLING DOCUMENT FROM TYCO ELECTRONICS IT IS SUBJECT TO CHANGE AND THE CONTROLLING ENGINEERING ORGANIZATION SHOULD BE CONTACTED FOR THE LATEST REVISION

SIZE A3	SCALE —	SHEET 2 OF 2	REV F
DWN M.TSAI	ENG. J.PI		
CHK J.PI	CHK		
APVD J.CHEN			

tyco Electronics	TYCO ELECTRONICS CABLE SYSTEMS ASIA PACIFIC
NAME	CABLE ASSY, HDMI
DRAWING NO.	C-1770019
CUSTOMER DRAWING	

DIMENSIONS: MM	TOLERANCES UNLESS OTHERWISE SPECIFIED: 0 PLC ± 1 PLC ± 2 PLC ± 3 PLC ±
ANGLES ± SURFACE TEXTURE	

LOC
HY
DIST

F	ECR-06-013736	07.JUN.06'	MT	JP
LTR	REVISION RECORD	DATE	DWN	APVE

4

3

2

1

D

C

B

A