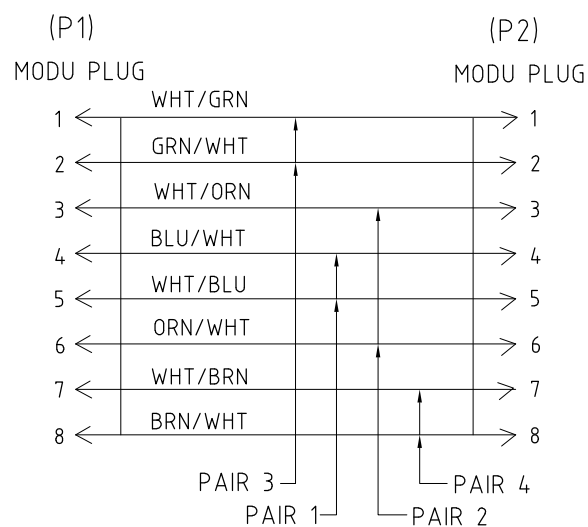
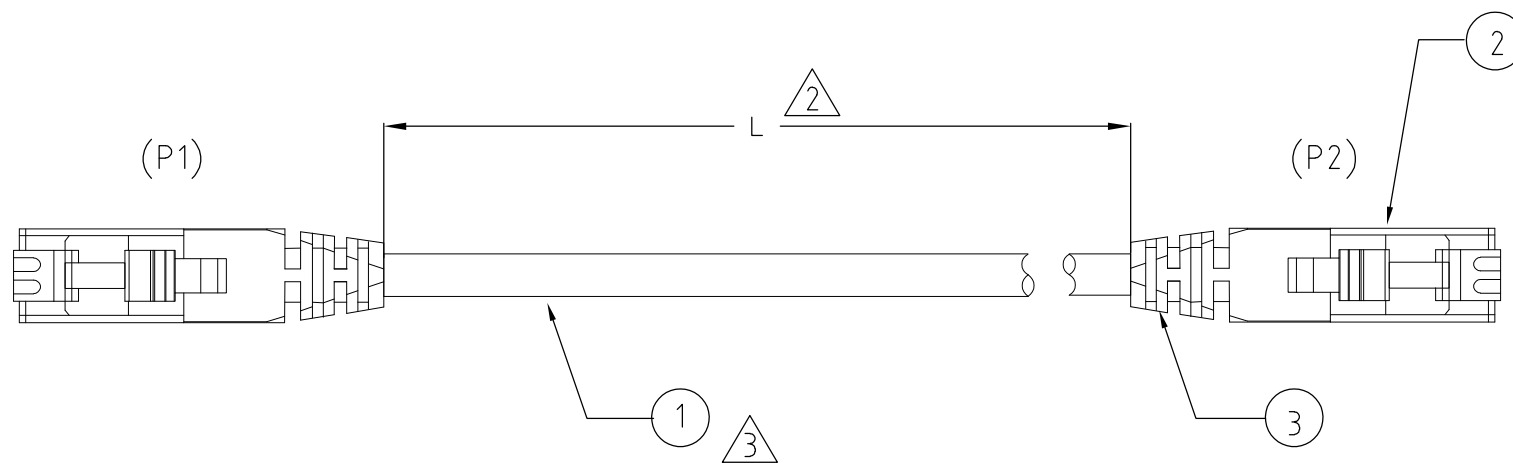


THIS DRAWING IS UNPUBLISHED. RELEASED FOR PUBLICATION APR 2005.

© COPYRIGHT BY TYCO ELECTRONICS CORPORATION. ALL RIGHTS RESERVED.

LOC	DIST	REVISIONS		
J	—	P	LTR	DESCRIPTION
				DATE
				DWN
				APVD
		A6	ECR-08-008308	03APR08
				K.S
				K.K

- 1. ONE CABLE PACKAGED IN A CLEAR POLY BAG.
- ② DIMENSIONS ARE MAXIMUM UNLESS OTHERWISE SPECIFIED.
- ③ CABLE; UNSHIELDED 24 AWG, 4 TWISTED PAIRS, 7/32 STRANDED CONDUCTORS, 100 OHMS.



WIRING DIAGRAM T568A

3-1871145-0	30.0	A
2-1871145-5	25.0	A
2-1871145-0	20.0	A
1-1871145-7	17.0	A
1-1871145-6	16.0	A
1-1871145-5	15.0	A
1-1871145-2	12.0	A
1-1871145-0	10.0	A
1871145-9	9.0	A
1871145-8	8.0	A
9-1871145-3	7.5	A
1871145-7	7.0	A
1871145-6	6.0	A
1871145-5	5.0	A
9-1871145-4	4.8	A
9-1871145-5	4.5	A
1871145-4	4.0	A
1871145-3	3.0	A
8-1871145-5	2.5	A
9-1871145-6	2.4	A
1871145-2	2.0	A
9-1871145-7	1.8	A
9-1871145-2	1.5	A
9-1871145-8	1.2	A
1871145-1	1.0	A
9-1871145-9	0.6	A
8-1871145-7	0.5	A
8-1871145-2	0.2	A
PRODUCT PART NUMBER	LENGTH(m)	REV.

OBSOLETE
OBSOLETE

2	CAT5E PLUG BOOT (TRANSPARENT)	3
2	MODULAR PLUG,8P,RND,STR,CAT5,24AWG	2
L	PATCH CABLE,CAT5E,CM,RED,SRD	1
Q'TY	DESCRIPTION	ITEM NO.

PARTS LIST

DWN		K.SUGIURA	10APR05
CHK		M.KANEDA	10APR05
APVD		S.SUZUKI	10APR05
PRODUCT SPEC		製品規格	
APPLICATION SPEC		取付適用規格	
SIZE	CAGE CODE	DRAWING NO	RESTRICTED TO
A3	00779	G-1871145	—
SCALE		SHEET	REV
NTS		1 OF 1	A6

THIS DRAWING IS A CONTROLLED DOCUMENT.	
DIMENSIONS: 単位: 耗 mm	TOLERANCES UNLESS OTHERWISE SPECIFIED: 一般公差
	0 PLC ± -
	1 PLC ± -
	2 PLC ± -
	3 PLC ± -
	4 PLC ± -
	ANGLES ± -
MATERIAL 材料	FINISH 仕上

THIS DRAWING IS A CONTROLLED DOCUMENT.	
DWN K.SUGIURA 10APR05	
CHK M.KANEDA 10APR05	
APVD S.SUZUKI 10APR05	
PRODUCT SPEC 製品規格	
APPLICATION SPEC 取付適用規格	
WEIGHT	
CUSTOMER DRAWING	