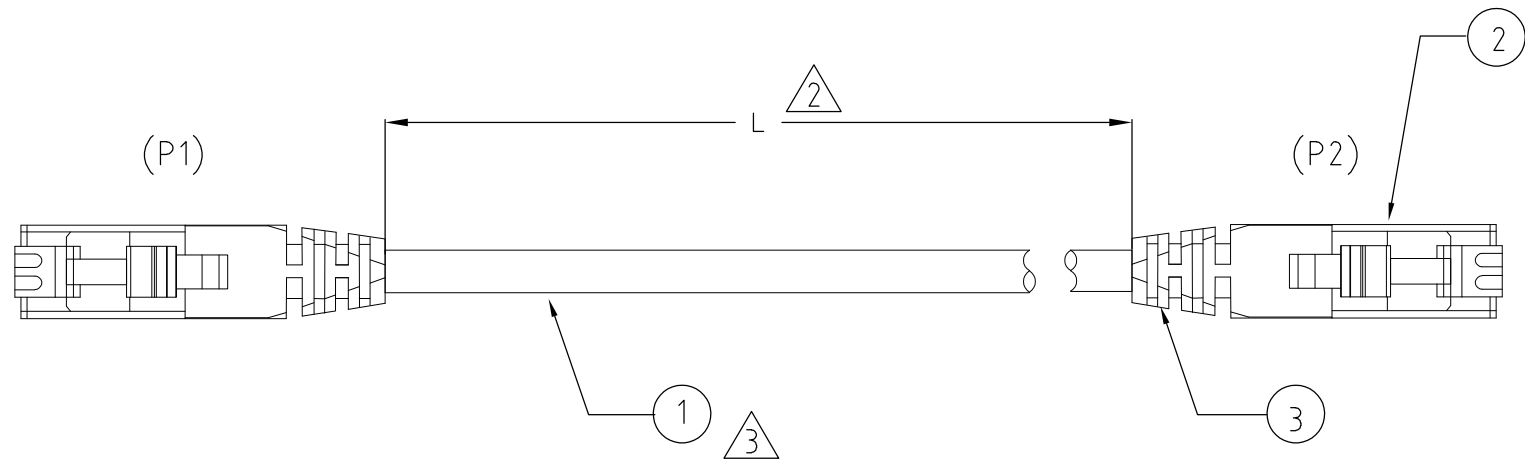
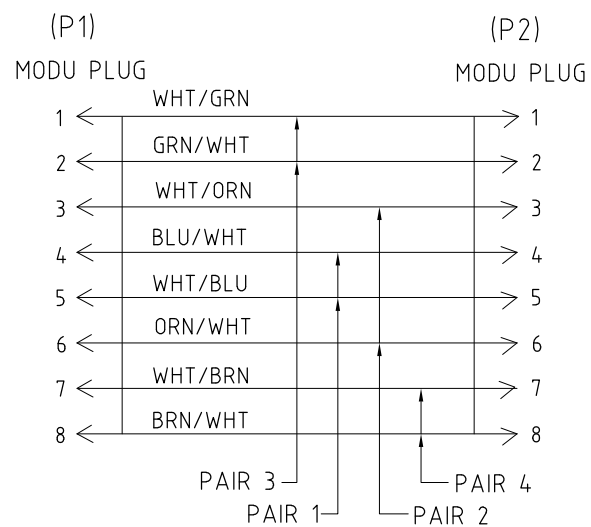


THIS DRAWING IS UNPUBLISHED. RELEASED FOR PUBLICATION APR 2005.  
 © COPYRIGHT BY TYCO ELECTRONICS CORPORATION. ALL RIGHTS RESERVED.

LOC J	DIST —	REVISIONS 変更		
P	LTR	DESCRIPTION	DATE	DWN
	A6	ECR-06-022805	03APR08	K.S
				APVD K.K



- 1. ONE CABLE PACKAGED IN A CLEAR POLY BAG.
- △2. DIMENSIONS ARE MAXIMUM UNLESS OTHERWISE SPECIFIED.
- △3. CABLE; UNSHIELDED 24 AWG, 4 TWISTED PAIRS, 7/32 STRANDED CONDUCTORS, 100 OHMS.



WIRING DIAGRAM  
T568A

5-1871147-0	50.0	A
3-1871147-0	30.0	A
2-1871147-5	25.0	A
2-1871147-0	20.0	A
1-1871147-5	15.0	A
1-1871147-2	12.0	A
1-1871147-1	11.0	A
1-1871147-0	10.0	A
1871147-9	9.0	A
1871147-8	8.0	A
9-1871147-3	7.5	A
1871147-7	7.0	A
1871147-6	6.0	A
1871147-5	5.0	A
9-1871147-4	4.8	A
9-1871147-5	4.5	A
1871147-4	4.0	A
1871147-3	3.0	A
8-1871147-5	2.5	A
9-1871147-6	2.4	A
1871147-2	2.0	A
9-1871147-7	1.8	A
9-1871147-2	1.5	A
9-1871147-8	1.2	A
1871147-1	1.0	A
9-1871147-9	0.6	A
8-1871147-7	0.5	A
PRODUCT PART NUMBER	LENGTH(m)	REV.

OBSOLETE  
OBSOLETE  
OBSOLETE

THIS DRAWING IS A CONTROLLED DOCUMENT.

DIMENSIONS: 単位: 耗 mm	TOLERANCES UNLESS OTHERWISE SPECIFIED: 一般公差
	0 PLC ± -
	1 PLC ± -
	2 PLC ± -
	3 PLC ± -
	4 PLC ± -
	ANGLES ± -
MATERIAL 材料	FINISH 仕上

DWN	K.SUGIURA	10APR05
CHK	M.KANEDA	10APR05
APVD	S.SUZUKI	10APR05
PRODUCT SPEC	製品規格	
APPLICATION SPEC	取付適用規格	
WEIGHT	—	

2	CAT5E PLUG BOOT (TRANSPARENT)	3
2	MODULAR PLUG,8P,RND,STR,CAT5,24AWG	2
L	PATCH CABLE,CAT5E,CM,YELLOW,SRD	1
Q'TY	DESCRIPTION	ITEM NO.

PARTS LIST

Tyco Electronics Corporation Kawasaki, Japan		NAME 名称 ECAT5 PATCH CBL ASSY, YELLOW (STRANDED WIRE)	
SIZE	CAGE CODE	DRAWING NO 番号	RESTRICTED TO
A3	00779	G-1871147	—
CUSTOMER DRAWING		SCALE 尺度	SHEET 1 OF 1
		REV A6	