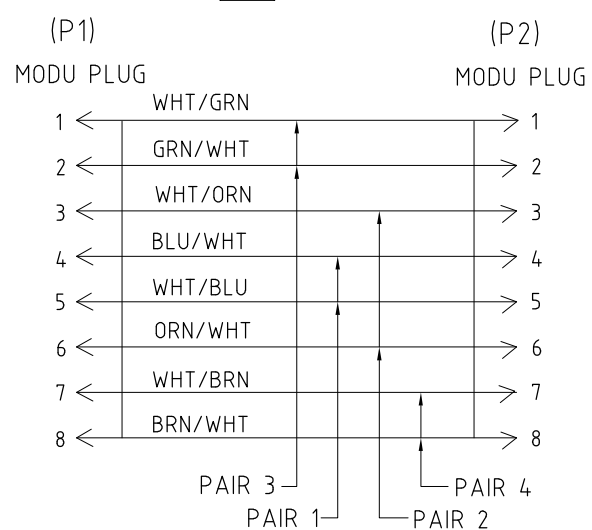
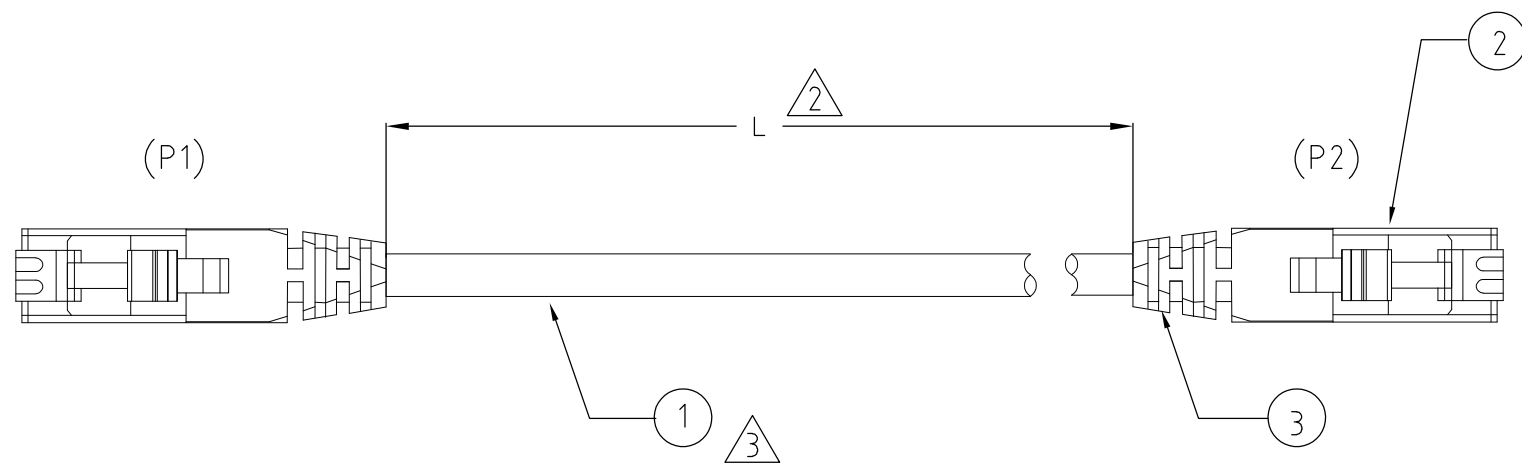


THIS DRAWING IS UNPUBLISHED. RELEASED FOR PUBLICATION APR 2005.

© COPYRIGHT BY TYCO ELECTRONICS CORPORATION. ALL RIGHTS RESERVED.

LOC J	DIST —	REVISIONS 変更		
P	LTR	DESCRIPTION	DATE	DWN
	A4	ECR-08-008308	03APR08	K.S
				APVD K.K

- 1. ONE CABLE PACKAGED IN A CLEAR POLY BAG.
- 2. DIMENSIONS ARE MAXIMUM UNLESS OTHERWISE SPECIFIED.
- 3. CABLE; UNSHIELDED 24 AWG, 4 TWISTED PAIRS, 7/32 STRANDED CONDUCTORS, 100 OHMS.



WIRING DIAGRAM T568A

3-1871148-0	30.0	A
2-1871148-0	20.0	A
1-1871148-6	16.0	A
1-1871148-5	15.0	A
1-1871148-2	12.0	A
1-1871148-0	10.0	A
1871148-9	9.0	A
1871148-8	8.0	A
9-1871148-3	7.5	A
1871148-7	7.0	A
1871148-6	6.0	A
8-1871148-9	5.5	A
1871148-5	5.0	A
9-1871148-4	4.8	A
9-1871148-5	4.5	A
1871148-3	3.0	A
8-1871148-5	2.5	A
9-1871148-6	2.4	A
1871148-2	2.0	A
9-1871148-7	1.8	A
9-1871148-2	1.5	A
9-1871148-8	1.2	A
1871148-1	1.0	A
9-1871148-9	0.6	A
8-1871148-7	0.5	A
PRODUCT PART NUMBER	LENGTH(m)	REV.

OBSOLETE

THIS DRAWING IS A CONTROLLED DOCUMENT.		DWN K.SUGIURA 10APR05	Tyco Electronics Corporation Kawasaki, Japan	
DIMENSIONS: 単位: 耗 mm		CHK M.KANEDA 10APR05	NAME 名称 ECAT5 PATCH CBL ASSY, GREEN (STRANDED WIRE)	
TOLERANCES UNLESS OTHERWISE SPECIFIED: 一般公差		APVD S.SUZUKI 10APR05	PRODUCT SPEC 製品規格	
0 PLC ± -		APPLICATION SPEC 取付適用規格		
1 PLC ± -		SIZE A3		
2 PLC ± -		CAGE CODE 00779		
3 PLC ± -		DRAWING NO 番号 G-1871148		
4 PLC ± -		RESTRICTED TO —		
ANGLES ± -		SCALE 尺度 NTS		
FINISH 仕上		SHEET 1 OF 1		
MATERIAL 材料		REV A4		
CUSTOMER DRAWING				