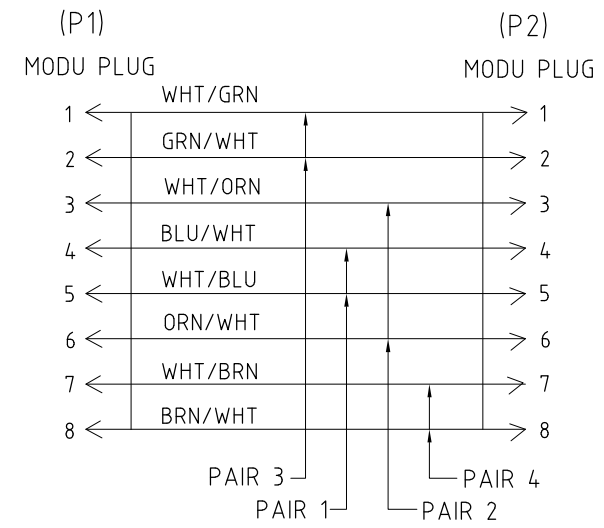
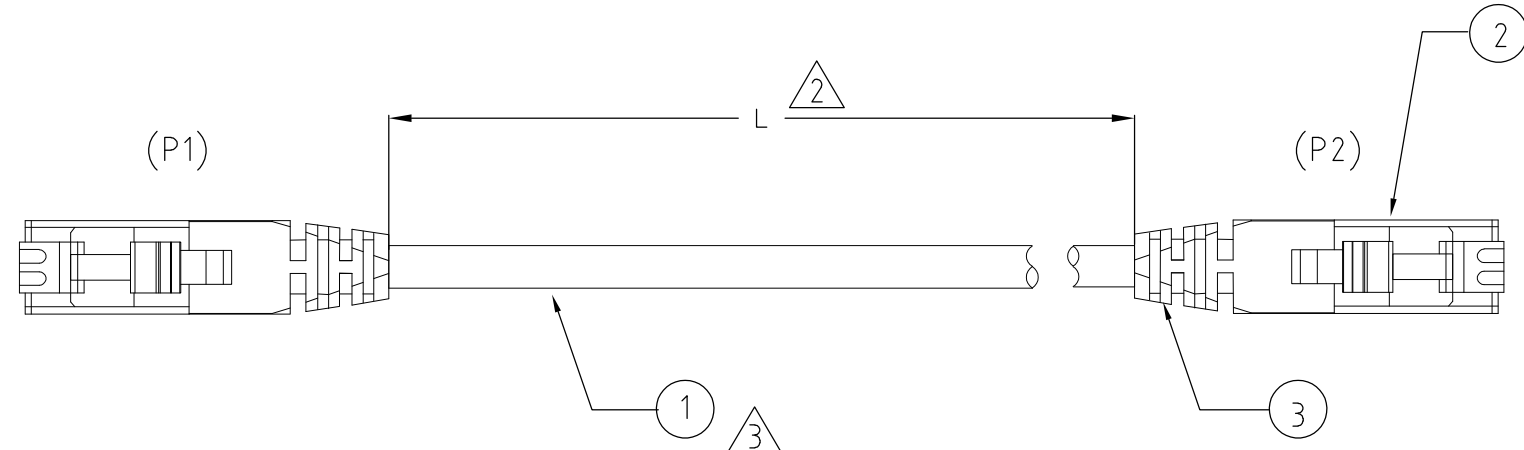


THIS DRAWING IS UNPUBLISHED. RELEASED FOR PUBLICATION APR 2005.
 © COPYRIGHT BY TYCO ELECTRONICS CORPORATION. ALL RIGHTS RESERVED.

LOC	DIST	REVISIONS					
J	-	P	LTR	DESCRIPTION	DATE	DWN	APVD
			A4	ECR-08-024325	26SEP08	K.S	K.K

- 1. ONE CABLE PACKAGED IN A CLEAR POLY BAG.
- △2 DIMENSIONS ARE MAXIMUM UNLESS OTHERWISE SPECIFIED.
- △3 CABLE; UNSHIELDED 24 AWG, 4 TWISTED PAIRS, 7/32 STRANDED CONDUCTORS, 100 OHMS.



WIRING DIAGRAM T568A

3-1871149-0	30.0	A
2-1871149-0	20.0	A
1-1871149-9	19.0	A
1-1871149-5	15.0	A
1-1871149-4	14.0	A
1-1871149-2	12.0	A
1-1871149-1	11.0	A
1-1871149-0	10.0	A
1871149-9	9.0	A
1871149-8	8.0	A
9-1871149-3	7.5	A
1871149-7	7.0	A
1871149-6	6.0	A
1871149-5	5.0	A
9-1871149-4	4.8	A
9-1871149-5	4.5	A
1871149-3	3.0	A
8-1871149-5	2.5	A
9-1871149-6	2.4	A
1871149-2	2.0	A
9-1871149-7	1.8	A
9-1871149-2	1.5	A
9-1871149-8	1.2	A
1871149-1	1.0	A
9-1871149-9	0.6	A
8-1871149-7	0.5	A
PRODUCT PART NUMBER	LENGTH(m)	REV.

OBSOLETE

2	CAT5E PLUG BOOT (TRANSPARENT)	3
2	MODULAR PLUG,8P,RND,STR,CAT5,24AWG	2
L	PATCH CABLE,CAT5E,CM,GRAY,SRD	1
Q'TY	DESCRIPTION	ITEM No.

PARTS LIST

Tyco Electronics Corporation Kawasaki, Japan		NAME 名称 ECAT5 PATCH CBL ASSY, GRAY (STRANDED WIRE)	
SIZE	CAGE CODE	DRAWING NO 番号	RESTRICTED TO
A3	00779	1871149	-
CUSTOMER DRAWING		SCALE 尺度 NTS	SHEET 1 OF 1 REV A4

THIS DRAWING IS A CONTROLLED DOCUMENT.

DIMENSIONS: 単位: 耗 mm	TOLERANCES UNLESS OTHERWISE SPECIFIED: 一般公差
	0 PLC ± -
	1 PLC ± -
	2 PLC ± -
	3 PLC ± -
	4 PLC ± -
	ANGLES ± -
MATERIAL 材料	FINISH 仕上
	WEIGHT

DWN K.SUGIURA 10APR05
 CHK M.KANEDA 10APR05
 APVD S.SUZUKI 10APR05
 PRODUCT SPEC 製品規格
 APPLICATION SPEC 取付適用規格