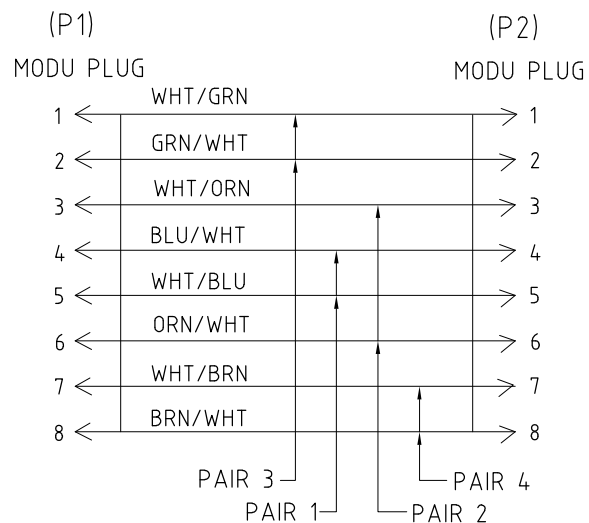
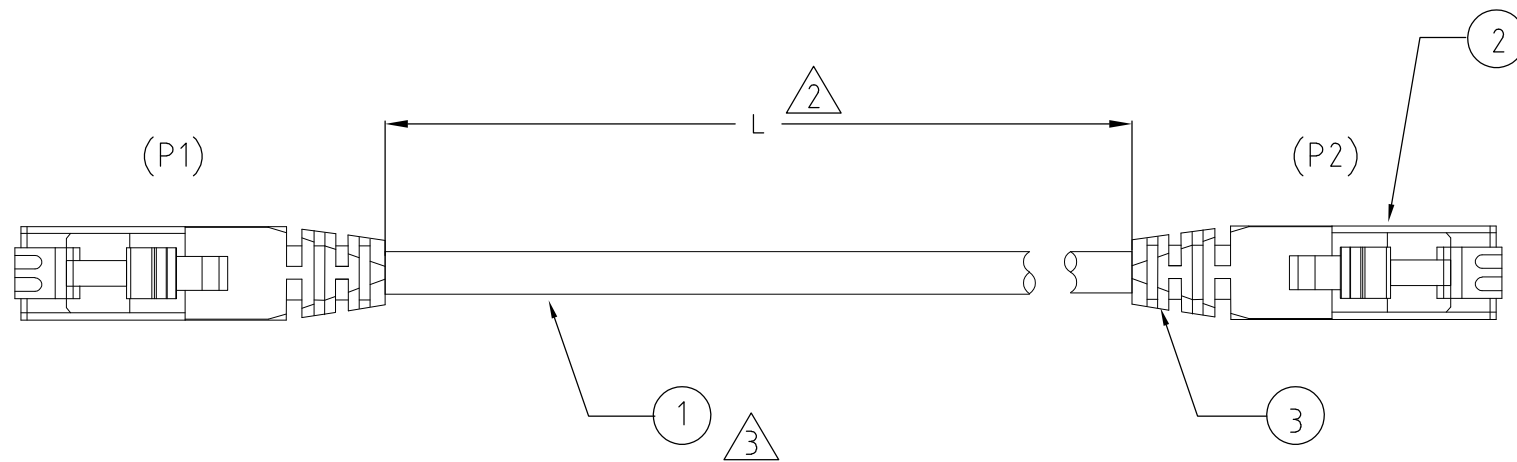


THIS DRAWING IS UNPUBLISHED. RELEASED FOR PUBLICATION APR 2005.
 © COPYRIGHT BY TYCO ELECTRONICS CORPORATION. ALL RIGHTS RESERVED.

LOC J	DIST —	REVISIONS 変更		
P	LTR	DESCRIPTION	DATE	DWN APVD
	A4	ECR-08-008308	03APR08	K.S K.K

- 1. ONE CABLE PACKAGED IN A CLEAR POLY BAG.
- ② DIMENSIONS ARE MAXIMUM UNLESS OTHERWISE SPECIFIED.
- ③ CABLE; UNSHIELDED 24 AWG, 4 TWISTED PAIRS, 7/32 STRANDED CONDUCTORS, 100 OHMS.



WIRING DIAGRAM
T568A

3-1871150-0	30.0	A
2-1871150-0	20.0	A
1-1871150-5	15.0	A
1-1871150-2	12.0	A
1-1871150-0	10.0	A
1871150-9	9.0	A
1871150-8	8.0	A
9-1871150-3	7.5	A
1871150-7	7.0	A
1871150-6	6.0	A
1871150-5	5.0	A
9-1871150-4	4.8	A
9-1871150-5	4.5	A
1871150-4	4.0	A
1871150-3	3.0	A
8-1871150-5	2.5	A
9-1871150-6	2.4	A
1871150-2	2.0	A
9-1871150-7	1.8	A
9-1871150-2	1.5	A
9-1871150-8	1.2	A
1871150-1	1.0	A
9-1871150-9	0.6	A
8-1871150-7	0.5	A
PRODUCT PART NUMBER	LENGTH(m)	REV.

OBSELETE

2	CAT5E PLUG BOOT (TRANSPARENT)	3
2	MODULAR PLUG,8P,RND,STR,CAT5,24AWG	2
L	PATCH CABLE,CAT5E,CM,ORANGE,SRD	1
Q'TY	DESCRIPTION	ITEM NO.

PARTS LIST

DWN K.SUGIURA 10APR05		Tyco Electronics Corporation Kawasaki, Japan	
CHK M.KANEDA 10APR05		NAME ECAT5 PATCH CBL ASSY, ORANGE (STRANDED WIRE)	
APVD S.SUZUKI 10APR05		DRAWING NO G-1871150	
SIZE A3	CAGE CODE 00779	RESTRICTED TO	—
CUSTOMER DRAWING		SCALE NTS	SHEET 1 OF 1
		REV A4	

THIS DRAWING IS A CONTROLLED DOCUMENT.	
DIMENSIONS: 単位: 耗 mm	TOLERANCES UNLESS OTHERWISE SPECIFIED: 一般公差
	0 PLC ± - 1 PLC ± - 2 PLC ± - 3 PLC ± - 4 PLC ± - ANGLES ± -
MATERIAL 材料	FINISH 仕上