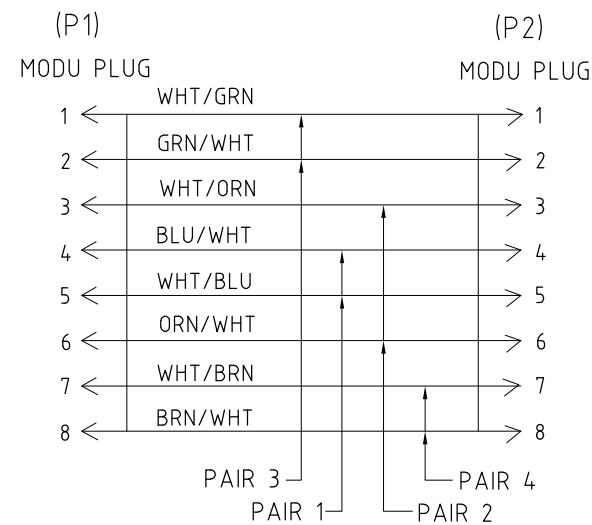
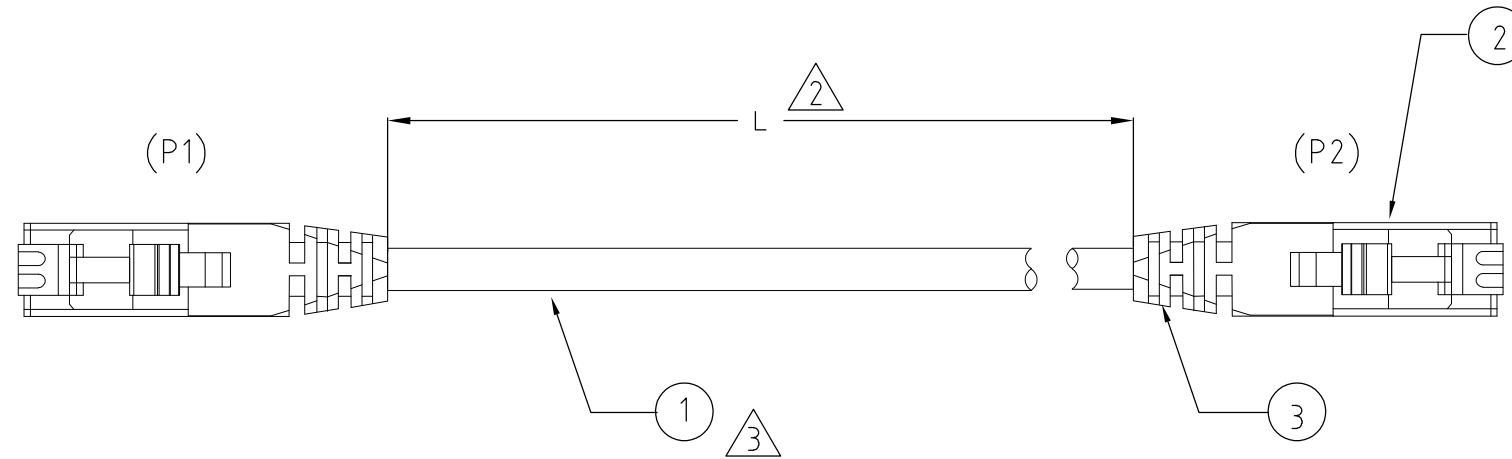


THIS DRAWING IS UNPUBLISHED. RELEASED FOR PUBLICATION APR 2005.

© COPYRIGHT BY TYCO ELECTRONICS CORPORATION. ALL RIGHTS RESERVED.

LOC J	DIST —	REVISIONS 変更		
P	LTR	DESCRIPTION	DATE	DWN APVD
	A4	ECR-08-024325	26SEP08	K.S K.K

- 1. ONE CABLE PACKAGED IN A CLEAR POLY BAG.
- △2 DIMENSIONS ARE MAXIMUM UNLESS OTHERWISE SPECIFIED.
- △3 CABLE; UNSHIELDED 24 AWG, 4 TWISTED PAIRS, 7/32 STRANDED CONDUCTORS, 100 OHMS.



WIRING DIAGRAM T568A

3-1871152-0	30.0	A	OBSOLETE
2-1871152-0	20.0	A	
1-1871152-5	15.0	A	
1-1871152-2	12.0	A	
1-1871152-0	10.0	A	
1871152-9	9.0	A	
1871152-8	8.0	A	
9-1871152-3	7.5	A	
1871152-7	7.0	A	
1871152-6	6.0	A	
1871152-5	5.0	A	
9-1871152-4	4.8	A	
9-1871152-5	4.5	A	
1871152-4	4.0	A	
1871152-3	3.0	A	
8-1871152-5	2.5	A	
9-1871152-6	2.4	A	
1871152-2	2.0	A	
9-1871152-7	1.8	A	
9-1871152-2	1.5	A	
9-1871152-8	1.2	A	
1871152-1	1.0	A	
9-1871152-9	0.6	A	
8-1871152-7	0.5	A	
9-1871152-1	0.3	A	
PRODUCT PART NUMBER	LENGTH(m)	REV.	

2	CAT5E PLUG BOOT (TRANSPARENT)	3
2	MODULAR PLUG,8P,RND,STR,CAT5,24AWG	2
L	PATCH CABLE,CAT5E,CM,L.GREEN,SRD	1
Q'TY	DESCRIPTION	ITEM No.

PARTS LIST

DWN K.SUGIURA 10APR05		Tyco Electronics Corporation Kawasaki, Japan	
CHK M.KANEDA 10APR05		NAME ECAT5 PATCH CBL ASSY, LIGHT GREEN (STRANDED WIRE)	
APVD S.SUZUKI 10APR05		DRAWING NO 1871152	
PRODUCT SPEC 製品規格		RESTRICTED TO	
APPLICATION SPEC 取付適用規格		SCALE NTS	
WEIGHT		SHEET 1 OF 1	
CUSTOMER DRAWING		REV A4	

THIS DRAWING IS A CONTROLLED DOCUMENT.	
DIMENSIONS: 単位: 耗 mm	TOLERANCES UNLESS OTHERWISE SPECIFIED: 一般公差
	0 PLC ± - 1 PLC ± - 2 PLC ± - 3 PLC ± - 4 PLC ± - ANGLES ± -
MATERIAL 材料	FINISH 仕上