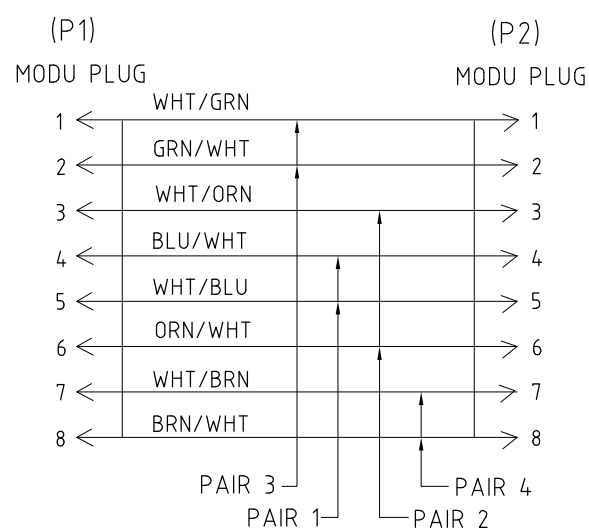
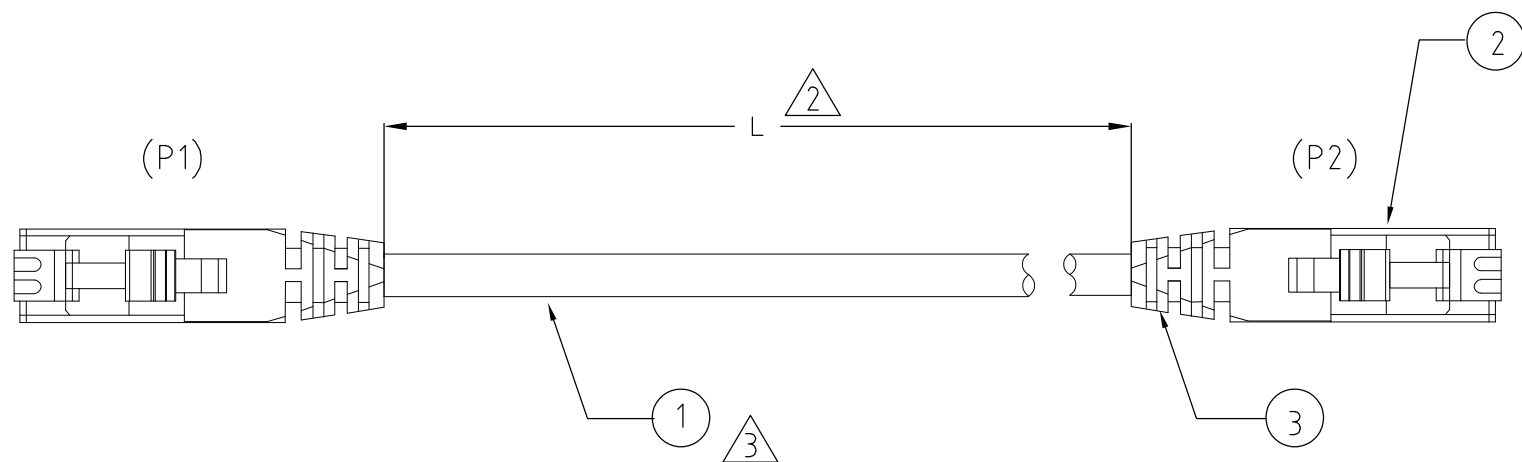


THIS DRAWING IS UNPUBLISHED. RELEASED FOR PUBLICATION APR 2005.

© COPYRIGHT BY TYCO ELECTRONICS CORPORATION. ALL RIGHTS RESERVED.

LOC	DIST	REVISIONS					
J	—	P	LTR	DESCRIPTION	DATE	DWN	APVD
		A1	ECR-08-008308		03APR08	K.S	K.K

- 1. ONE CABLE PACKAGED IN A CLEAR POLY BAG.
- △2. DIMENSIONS ARE MAXIMUM UNLESS OTHERWISE SPECIFIED.
- △3. CABLE; UNSHIELDED 24 AWG, 4 TWISTED PAIRS, 7/32 STRANDED CONDUCTORS, 100 OHMS.



WIRING DIAGRAM T568A

3-1871154-0	30.0	A
2-1871154-0	20.0	A
1-1871154-5	15.0	A
1-1871154-2	12.0	A
1-1871154-0	10.0	A
1871154-9	9.0	A
1871154-8	8.0	A
9-1871154-3	7.5	A
1871154-7	7.0	A
1871154-6	6.0	A
1871154-5	5.0	A
9-1871154-4	4.8	A
9-1871154-5	4.5	A
1871154-3	3.0	A
8-1871154-5	2.5	A
9-1871154-6	2.4	A
1871154-2	2.0	A
9-1871154-7	1.8	A
9-1871154-2	1.5	A
9-1871154-8	1.2	A
1871154-1	1.0	A
9-1871154-9	0.6	A
PRODUCT PART NUMBER	LENGTH(m)	REV.

OBSOLETE

2	CAT5E PLUG BOOT (TRANSPARENT)	3
2	MODULAR PLUG,8P,RND,STR,CAT5,24AWG	2
L	PATCH CABLE,CAT5E,CM,PURPLE,SRD	1
Q'TY	DESCRIPTION	ITEM NO.

PARTS LIST

Tyco Electronics Corporation Kawasaki, Japan			
NAME ECAT5 PATCH CBL ASSY, PURPLE (STRANDED WIRE)			
SIZE	CAGE CODE	DRAWING NO	RESTRICTED TO
A3	00779	G-1871154	—
CUSTOMER DRAWING		SCALE NTS	SHEET 1 OF 1
		REV A1	

THIS DRAWING IS A CONTROLLED DOCUMENT.		DWN K.SUGIURA 10APR05
DIMENSIONS: 単位: 耗 mm		CHK M.KANEDA 10APR05
TOLERANCES UNLESS OTHERWISE SPECIFIED: 一般公差		APVD S.SUZUKI 10APR05
0 PLC ± -		PRODUCT SPEC 製品規格
1 PLC ± -		APPLICATION SPEC 取付適用規格
2 PLC ± -		WEIGHT
3 PLC ± -		
4 PLC ± -		
ANGLES ± -		
MATERIAL 材料	FINISH 仕上	