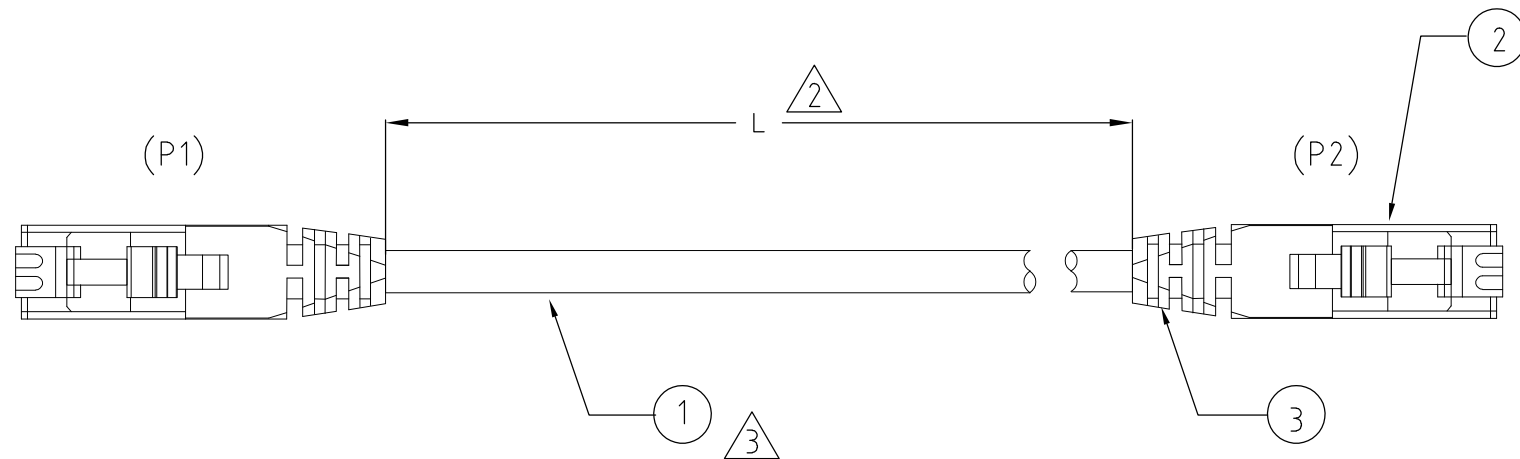


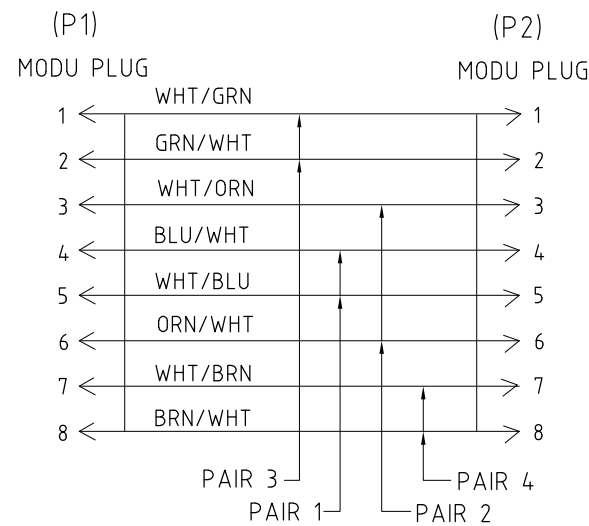
THIS DRAWING IS UNPUBLISHED. RELEASED FOR PUBLICATION APR 2005.

© COPYRIGHT BY TYCO ELECTRONICS CORPORATION. ALL RIGHTS RESERVED.

LOC J	DIST —	REVISIONS 変更		
P	LTR	DESCRIPTION	DATE	DWN APVD
	A7	ECR-08-008308	03APR08	K.S K.K



- 1. ONE CABLE PACKAGED IN A CLEAR POLY BAG.
- ② DIMENSIONS ARE MAXIMUM UNLESS OTHERWISE SPECIFIED.
- ③ CABLE; UNSHIELDED 24 AWG, 4 TWISTED PAIRS, 7/32 STRANDED CONDUCTORS, 100 OHMS.



WIRING DIAGRAM T568A

3-1871146-0	30.0	A	OBSOLETE
2-1871146-5	25.0	A	OBSOLETE
2-1871146-0	20.0	A	
1-1871146-5	15.0	A	
1-1871146-2	12.0	A	
1-1871146-0	10.0	A	
1871146-9	9.0	A	
1871146-8	8.0	A	
9-1871146-3	7.5	A	
1871146-7	7.0	A	
1871146-6	6.0	A	
1871146-5	5.0	A	
9-1871146-4	4.8	A	
9-1871146-5	4.5	A	
1871146-4	4.0	A	
8-1871146-4	3.5	A	
1871146-3	3.0	A	
8-1871146-5	2.5	A	
9-1871146-6	2.4	A	
1871146-2	2.0	A	
9-1871146-7	1.8	A	
9-1871146-2	1.5	A	
8-1871146-3	1.4	A	
9-1871146-8	1.2	A	
1871146-1	1.0	A	
9-1871146-9	0.6	A	
8-1871146-7	0.5	A	
PRODUCT PART NUMBER	LENGTH(m)	REV.	

2	CAT5E PLUG BOOT (TRANSPARENT)	3
2	MODULAR PLUG,8P,RND,STR,CAT5,24AWG	2
L	PATCH CABLE,CAT5E,CM,BLUE,SRD	1
Q'TY	DESCRIPTION	ITEM NO.
PARTS LIST		

THIS DRAWING IS A CONTROLLED DOCUMENT.		DWN K.SUGIURA 10APR05	Tyco Electronics Corporation Kawasaki, Japan											
DIMENSIONS: 単位: 耗 mm		CHK M.KANEDA 10APR05												
TOLERANCES UNLESS OTHERWISE SPECIFIED: 一般公差		APVD S.SUZUKI 10APR05												
<table border="1"> <tr><td>0 PLC</td><td>± -</td></tr> <tr><td>1 PLC</td><td>± -</td></tr> <tr><td>2 PLC</td><td>± -</td></tr> <tr><td>3 PLC</td><td>± -</td></tr> <tr><td>4 PLC</td><td>± -</td></tr> <tr><td>ANGLES</td><td>± -</td></tr> </table>		0 PLC		± -	1 PLC	± -	2 PLC	± -	3 PLC	± -	4 PLC	± -	ANGLES	± -
0 PLC	± -													
1 PLC	± -													
2 PLC	± -													
3 PLC	± -													
4 PLC	± -													
ANGLES	± -													
MATERIAL 材料	FINISH 仕上	PRODUCT SPEC 製品規格	SIZE A3											
		APPLICATION SPEC 取付適用規格	CAGE CODE 00779											
		WEIGHT	DRAWING NO 番号 G-1871146											
		CUSTOMER DRAWING	RESTRICTED TO —											
		SCALE 尺度 NTS	SHEET 1 OF 1											
			REV A7											