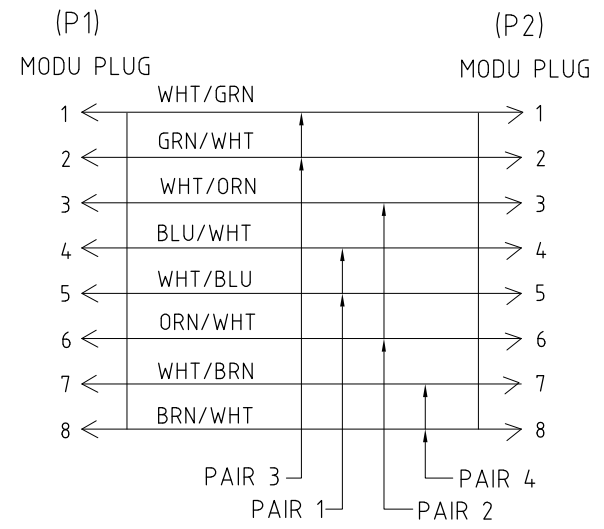
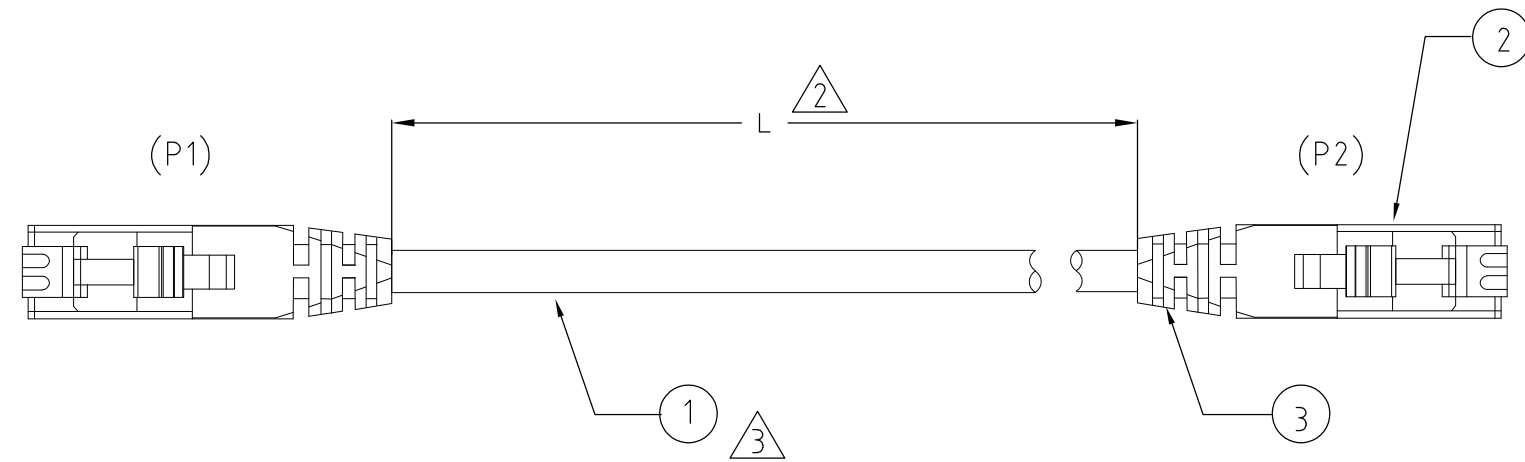


THIS DRAWING IS UNPUBLISHED. RELEASED FOR PUBLICATION APR 2005.
 © COPYRIGHT BY TYCO ELECTRONICS CORPORATION. ALL RIGHTS RESERVED.

LOC	DIST	REVISIONS					
J	-	P	LTR	DESCRIPTION	DATE	DWN	APVD
			A6	ECR-08-024325	26SEP08	K.S	K.K

- 1. ONE CABLE PACKAGED IN A CLEAR POLY BAG.
- △2 DIMENSIONS ARE MAXIMUM UNLESS OTHERWISE SPECIFIED.
- △3 CABLE; UNSHIELDED 24 AWG, 4 TWISTED PAIRS, 7/32 STRANDED CONDUCTORS, 100 OHMS.



WIRING DIAGRAM
T568A

OBSOLETE

3-1871151-0	30.0	A
2-1871151-0	20.0	A
1-1871151-5	15.0	A
1-1871151-2	12.0	A
1-1871151-0	10.0	A
1871151-9	9.0	A
1871151-8	8.0	A
9-1871151-3	7.5	A
1871151-7	7.0	A
1871151-6	6.0	A
1871151-5	5.0	A
9-1871151-4	4.8	A
9-1871151-5	4.5	A
1871151-4	4.0	A
8-1871151-4	3.5	A
1871151-3	3.0	A
8-1871151-5	2.5	A
9-1871151-6	2.4	A
1871151-2	2.0	A
9-1871151-7	1.8	A
9-1871151-2	1.5	A
9-1871151-8	1.2	A
1871151-1	1.0	A
9-1871151-9	0.6	A
8-1871151-7	0.5	A
9-1871151-1	0.3	A
PRODUCT PART NUMBER	LENGTH(m)	REV.

2	CAT5E PLUG BOOT (TRANSPARENT)	3
2	MODULAR PLUG,8P,RND,STR,CAT5,24AWG	2
L	PATCH CABLE,CAT5E,CM,L.BLUE,SRD	1
Q'TY	DESCRIPTION	ITEM No.

PARTS LIST

DWN		K.SUGIURA		10APR05
CHK		M.KANEDA		10APR05
APVD		S.SUZUKI		10APR05
PRODUCT SPEC		-		
APPLICATION SPEC		-		
WEIGHT		-		
Tyco Electronics Corporation Kawasaki, Japan				
NAME: ECAT5 PATCH CBL ASSY, LIGHT BLUE (STRANDED WIRE)				
SIZE	CAGE CODE	DRAWING NO	RESTRICTED TO	
A3	00779	1871151	-	
CUSTOMER DRAWING			SCALE	SHEET
			NTS	1 OF 1
			REV	A6

THIS DRAWING IS A CONTROLLED DOCUMENT.	
DIMENSIONS: 単位: 耗 mm	TOLERANCES UNLESS OTHERWISE SPECIFIED: 一般公差
	0 PLC ± - 1 PLC ± - 2 PLC ± - 3 PLC ± - 4 PLC ± - ANGLES ± -
MATERIAL 材料	FINISH 仕上