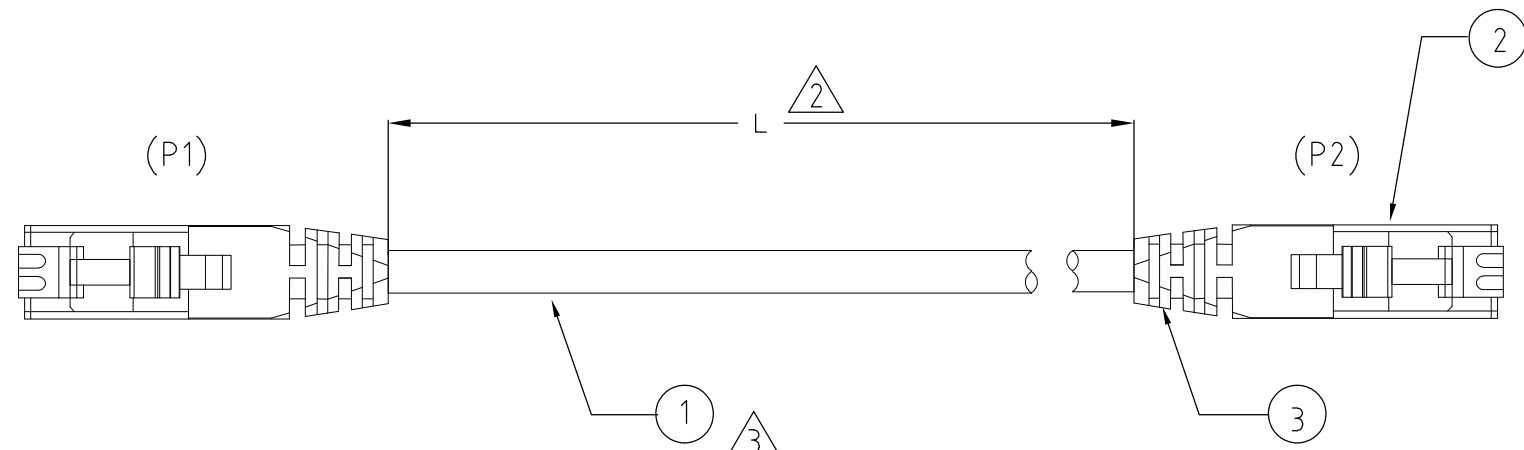
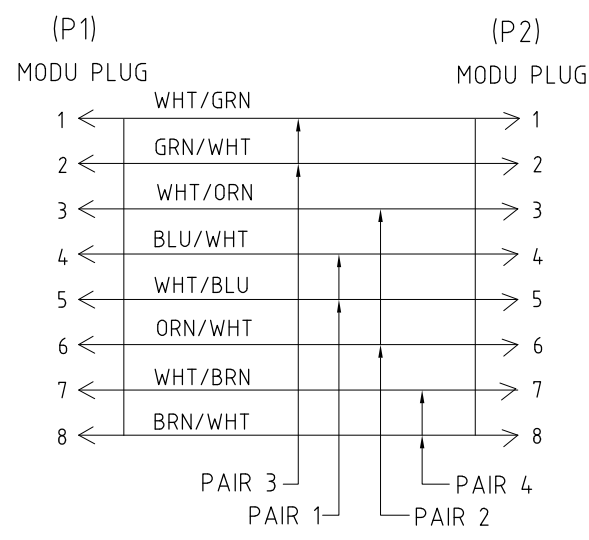


THIS DRAWING IS UNPUBLISHED. RELEASED FOR PUBLICATION APR 2005.  
 © COPYRIGHT BY TYCO ELECTRONICS CORPORATION. ALL RIGHTS RESERVED.

|     |      |           |     |               |         |     |      |
|-----|------|-----------|-----|---------------|---------|-----|------|
| LOC | DIST | REVISIONS |     |               |         |     |      |
| J   | -    | P         | LTR | DESCRIPTION   | DATE    | DWN | APVD |
|     |      |           | A3  | ECR-08-024325 | 26SEP08 | K.S | K.K  |



- 1. ONE CABLE PACKAGED IN A CLEAR POLY BAG.
- 2. DIMENSIONS ARE MAXIMUM UNLESS OTHERWISE SPECIFIED.
- 3. CABLE; UNSHIELDED 24 AWG, 4 TWISTED PAIRS, 7/32 STRANDED CONDUCTORS, 100 OHMS.



WIRING DIAGRAM  
T568A

|                     |           |      |          |
|---------------------|-----------|------|----------|
| 3-1871153-0         | 30.0      | A    | OBSOLETE |
| 2-1871153-0         | 20.0      | A    |          |
| 1-1871153-5         | 15.0      | A    |          |
| 1-1871153-2         | 12.0      | A    |          |
| 1-1871153-0         | 10.0      | A    |          |
| 1871153-9           | 9.0       | A    |          |
| 1871153-8           | 8.0       | A    |          |
| 9-1871153-3         | 7.5       | A    |          |
| 1871153-7           | 7.0       | A    |          |
| 1871153-6           | 6.0       | A    |          |
| 1871153-5           | 5.0       | A    |          |
| 9-1871153-4         | 4.8       | A    |          |
| 9-1871153-5         | 4.5       | A    |          |
| 1871153-3           | 3.0       | A    |          |
| 8-1871153-5         | 2.5       | A    |          |
| 9-1871153-6         | 2.4       | A    |          |
| 1871153-2           | 2.0       | A    |          |
| 9-1871153-7         | 1.8       | A    |          |
| 9-1871153-2         | 1.5       | A    |          |
| 9-1871153-8         | 1.2       | A    |          |
| 1871153-1           | 1.0       | A    |          |
| 9-1871153-9         | 0.6       | A    |          |
| 8-1871153-7         | 0.5       | A    |          |
| PRODUCT PART NUMBER | LENGTH(m) | REV. |          |

|      |                                    |          |
|------|------------------------------------|----------|
| 2    | CAT5E PLUG BOOT (TRANSPARENT)      | 3        |
| 2    | MODULAR PLUG,8P,RND,STR,CAT5,24AWG | 2        |
| L    | PATCH CABLE,CAT5E,CM,PINK,SRD      | 1        |
| Q'TY | DESCRIPTION                        | ITEM No. |

PARTS LIST

|                  |           |   |               |   |
|------------------|-----------|---|---------------|---|
| DWN              |           | K.SUGIURA                                 | 10APR05       | Tyco Electronics Corporation<br>Kawasaki, Japan |
| CHK              |           | M.KANEDA                                  | 10APR05       |   |
| APVD             |           | S.SUZUKI                                  | 10APR05       |   |
| NAME             |           | ECAT5 PATCH CBL ASSY,PINK (STRANDED WIRE) |               |   |
| PRODUCT SPEC     |           | 製品規格                                      |               |   |
| APPLICATION SPEC |           | 取付適用規格                                    |               |   |
| SIZE             | CAGE CODE | DRAWING NO                                | RESTRICTED TO |   |
| A3               | 00779     | 1871153                                   | -             |   |
| CUSTOMER DRAWING |           | SCALE                                     | SHEET         | REV   |
|                  |           | NTS                                       | 1 OF 1        | A3  |

|  |  |
|--|--|
| THIS DRAWING IS A CONTROLLED DOCUMENT. |  |
| DIMENSIONS:<br>単位: 耗<br>mm             | TOLERANCES UNLESS OTHERWISE SPECIFIED:<br>一般公差 |
|  | 0 PLC ± -                                      |
|  | 1 PLC ± -                                      |
|  | 2 PLC ± -                                      |
|  | 3 PLC ± -                                      |
|  | 4 PLC ± -                                      |
| ANGLES ± -                             |  |
| MATERIAL<br>材料                         | FINISH<br>仕上                                   |
|  |  |