



APPLICATION SPECIFICATION FOR TOOLLESS MODULAR JACK

1. INTRODUCTION.

This specification covers the requirements for the application of AMP* TOOLLESS Modular Jack, both shielded and unshielded.

2. REFERENCE MATERIAL.

2.1 Customer Drawing.

A Customer Drawing is available for each partnumber assigned to this product line. In the event of a conflict between this specification and the Customer Drawing, the Customer Drawing will take precedence.

2.2 Product Specification.

Product Specification 108-19064 provides information pertaining to performance, testing and quality requirements.

3. REQUIREMENTS.

3.1 Wire.

The AMP-BARREL* contacts are designed to receive unstripped stranded or solid copper wire. The range for stranded wires is 0,12-0,35 mm² (26-22 AWG). The range for solid wires is 0,4-0,63 mm diameter (also 26-22 AWG). The maximum insulation diameter of a wire is 1,2mm (.048 inch).

DR. M. van ESSEN

DATE 01 OCT 1999

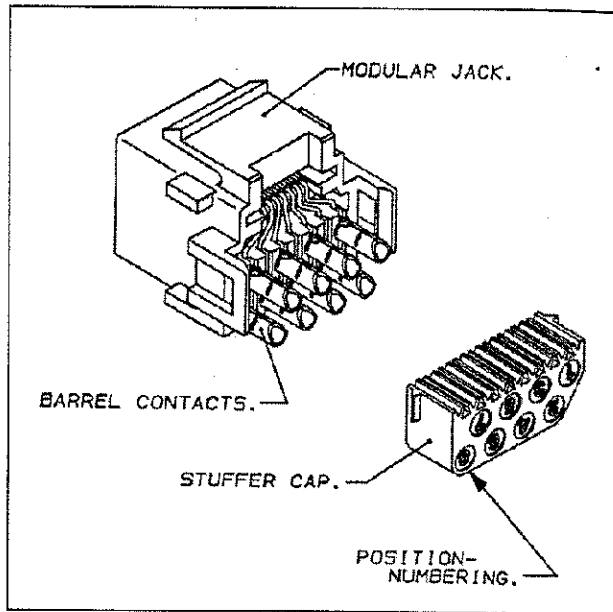
APVD

DATE

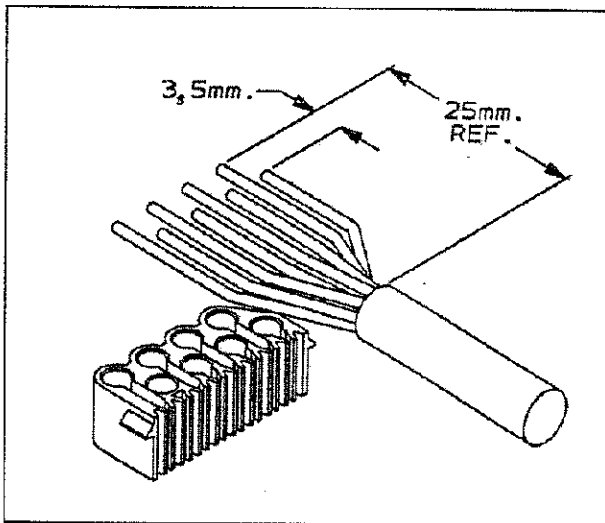
EC EHCO-1580-99

3.2 Wire Termination – One wire per barrel contact.

Determine required number of positions for application: 6 or 8. The 6 position TOOLLESS jack has 6 BARREL Contacts and the Stuffer Cap shows position-numbering 1 through 6. The 8 position TOOLLESS Jack has 8 BARREL Contacts, the Stuffer Cap shows position numbering 1 through 8.



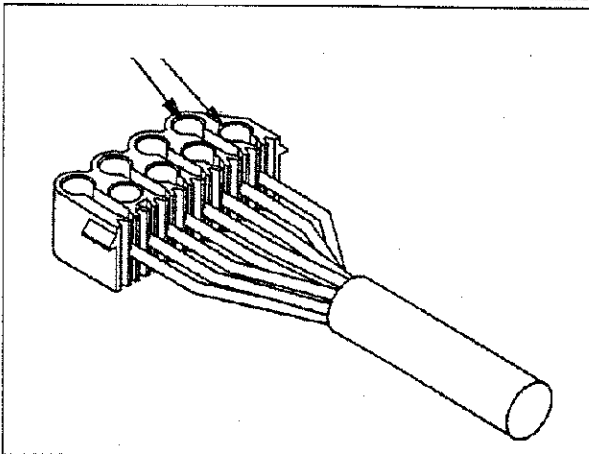
Strip Cable Jacket. Trimming the wires to different lengths, as shown aside, facilitates the termination.



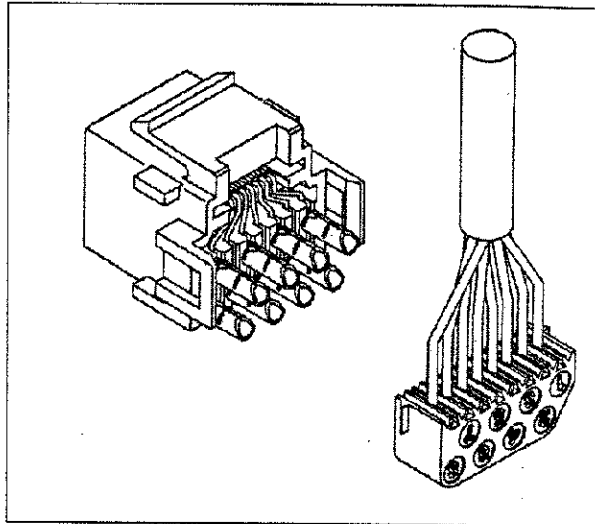
Place end of each wire against back of round hole.

Press all wires down into the slots.

Inspect Stuffer Cap to ensure that each wire is in the desired slot and that wire-end is touching the back of the round hole.



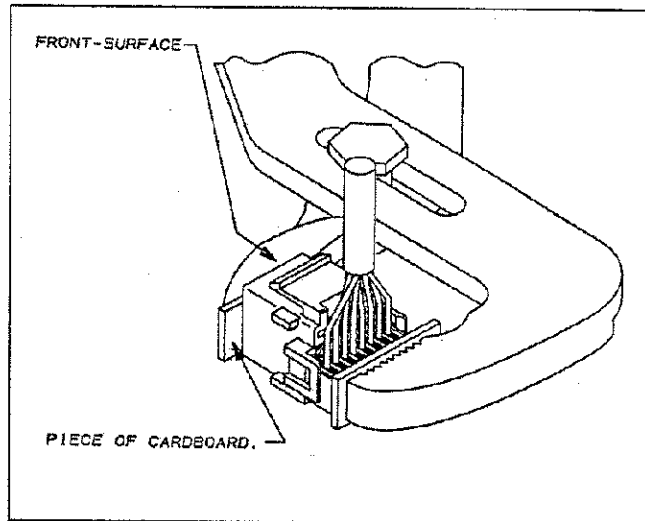
Position holes in Stuffer Cap over Barrel contacts.



Terminate wires by pressing the Stuffer Cap over the Barrel Contacts.

Use for instance a slip joint pliers. If a piece of cardboard or alike is attached to the toothed surface of the pliers, the front surface of the TOOLLESS Modular Jack will remain undamaged.

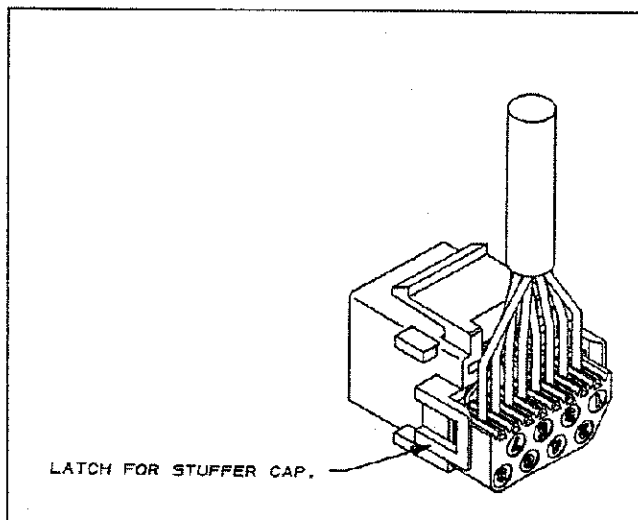
Another tool like a bench press with flat pushing surfaces can also be applied for pressing down the Stuffer Cap.



Inspect Jack assembly to ensure that Stuffer Cap is fully seated and that latches are locked at both sides.

Inspect also whether all wires are terminated.

The terminated Jack can be mounted in a panel. For panel-cut-out dimension see involved Customer Drawing.



3.3 Wire termination – Two wires per barrel contact.

The first wire for a Barrel Contact should be terminated by a simple wire termination tool. That tool pushes the first wire in the lower sections of the Barrel Contact.

The second wire for that Barrel Contact can be terminated on the normal way, with the Stuffer Cap. See Paragraph 3.2.

RECOMENDATION:

Please note that the first wire should not have a larger cross section than the second wire.

For termination of the first wire Single wire Insertion Tool, partnumber 734552-1, can be used.

3.4 Wire termination - shielded toolless Modular Jack.

The termination of the 8 Barrel contacts can be done as described in paragraph 3.2. with the aid of the multiple Stuffer Cap.

The termination of the drain wire is done with the single Stuffer Cap.

If the drain wire is a flexible wire, it is recommended that the end of this wire is double folded and then terminated.

For a solid drain wire this double folding is not necessary.

RECOMMENDATION:

To obtain the best shielding performance the length of the drain wire should be as short as possible.

