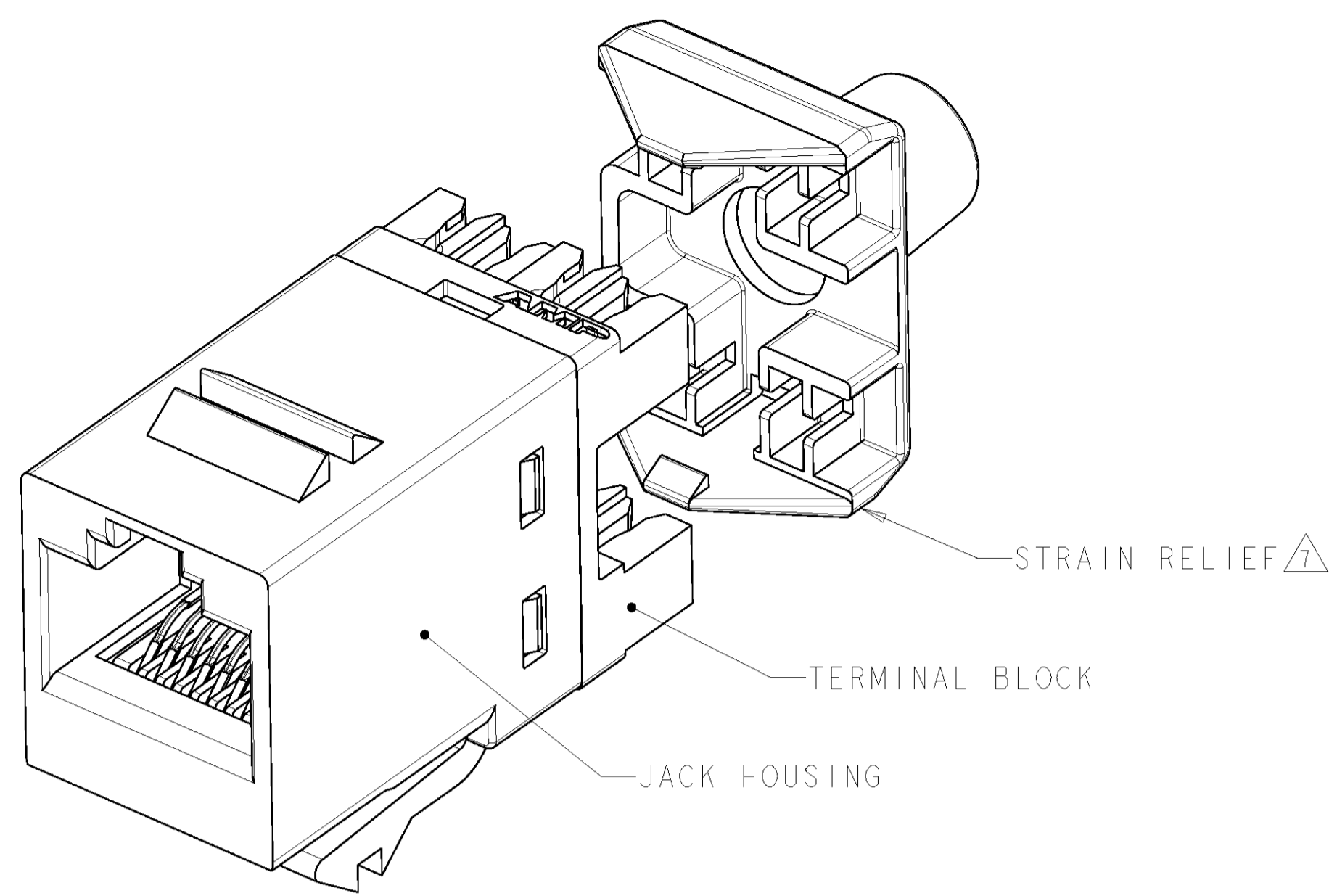
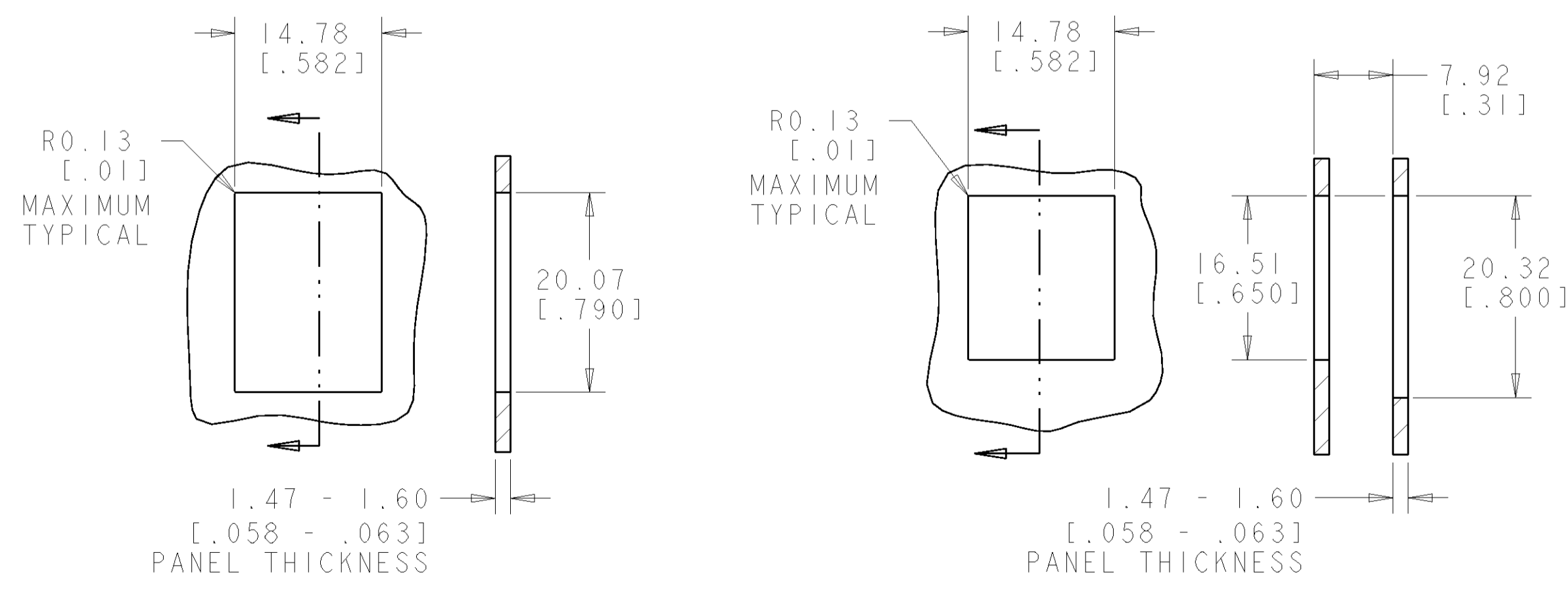
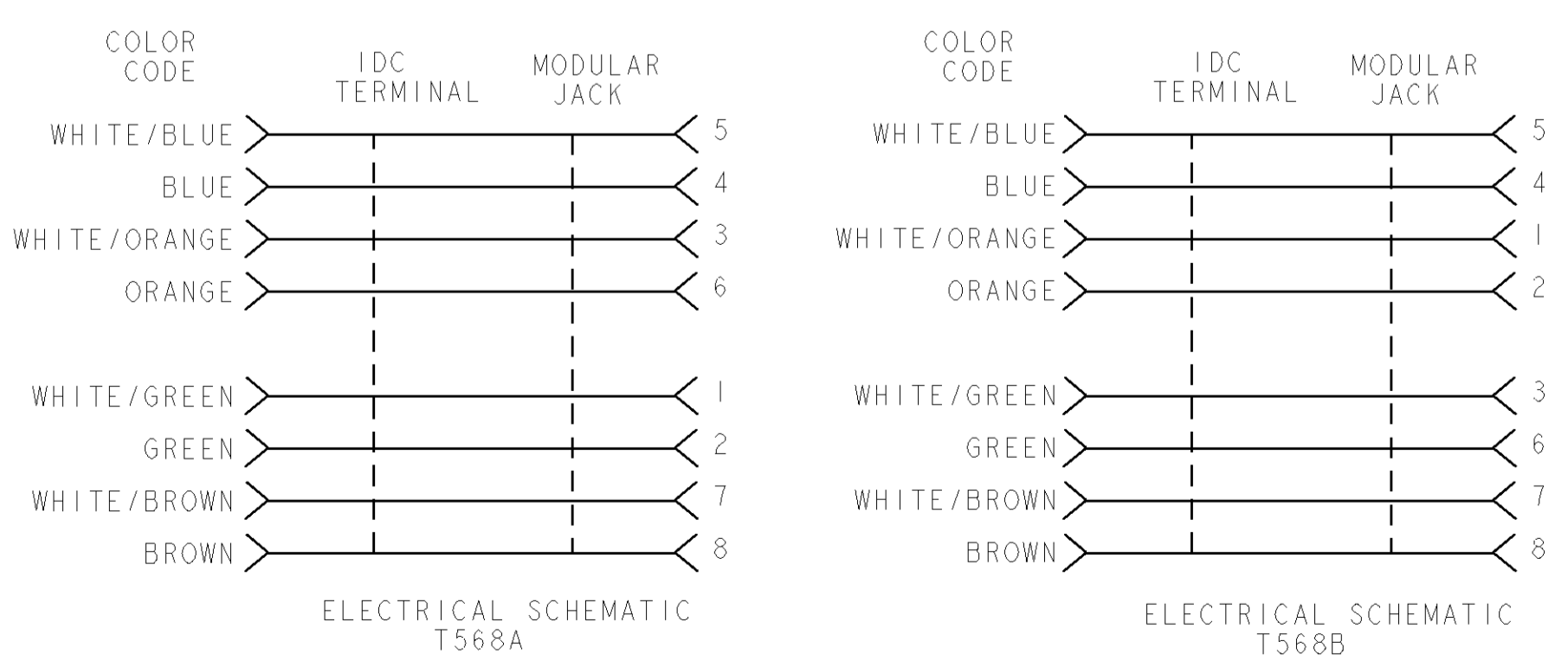
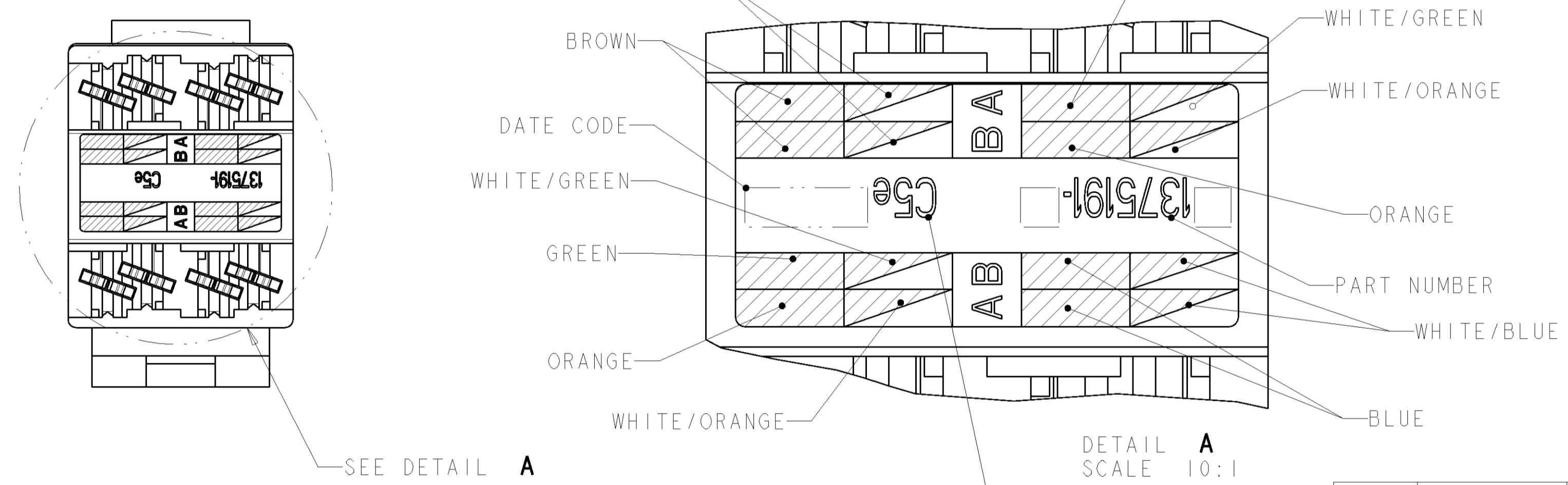
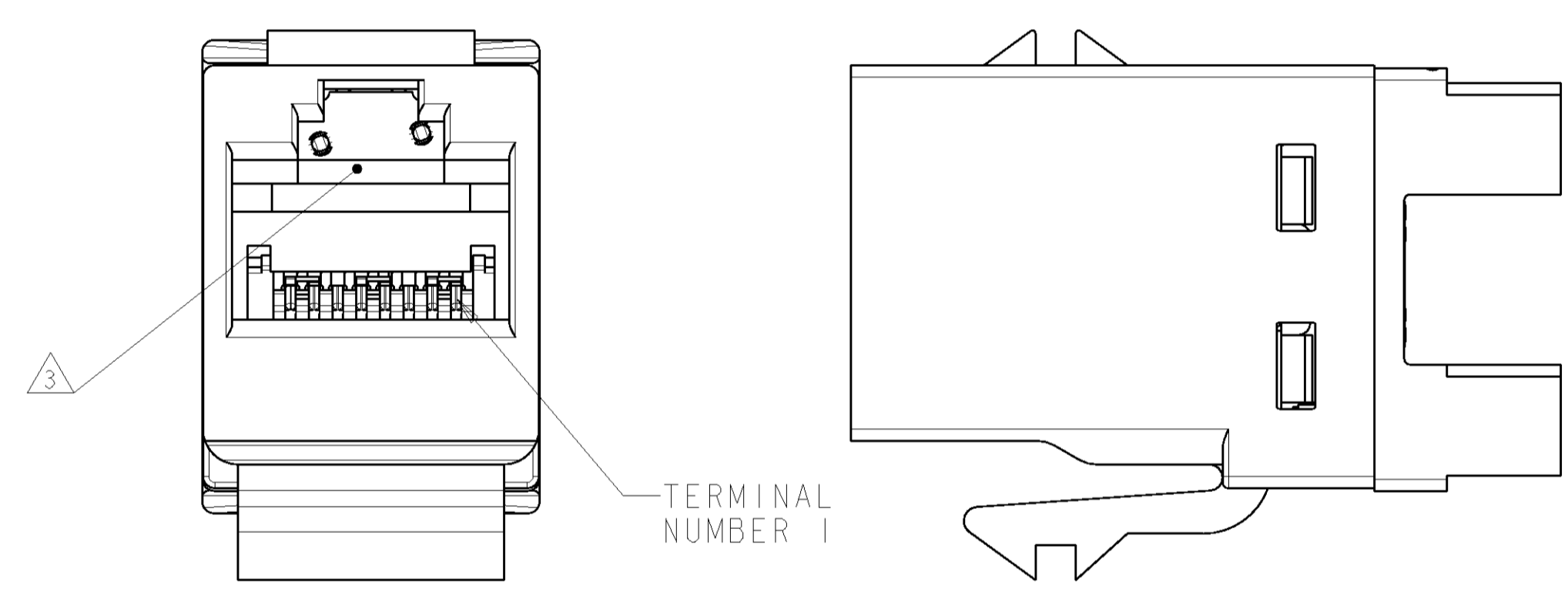


LOC	DIST	REVISIONS			
		REV	DATE	BY	APP'D
HM	00	H	ADD 1-3, 3-3; REV ECO-10-004736	08MAR2010	LH SA



- △ MATERIAL: JACK HOUSING - POLYPHENYLENE OXIDE, 94V-0 RATED. 110 BLOCK AND STRAIN RELIEF- POLYCARBONATE. ARRAY TRAY - PBT POLYESTER. JACK CONTACTS ARRAY - BERYLLIUM COPPER, PLATED WITH 1.27µm [.000050] MINIMUM THICK GOLD IN LOCALIZED AREA AND 3.81µm [.000150] MINIMUM THICK MATTE TIN IN BOARD INTERFACE AREA OVER 1.27µm [.000050] MINIMUM THICK NICKEL UNDERPLATE. IDC TERMINALS - PHOSPHOROUS BRONZE, PLATED WITH 3.81µm [.00015] MINIMUM THICK MATTE TIN OVER 1.27µm [.00005] MINIMUM THICK NICKEL UNDERPLATE.
- 2. SL 110 JACK WILL TERMINATE 22-24 AWG SOLID AND 24-26 AWG STRANDED CONDUCTORS, 1.27[.050] MAXIMUM INSULATION DIAMETER. JACK WILL ACCEPT CONDUCTORS UP TO 1.45 [.057] BUT REQUIRE THE USE OF A STRAIN RELIEF.
- △ CAVITY CONFORMS TO FCC RULES AND REGULATIONS; PART 68 SUBPART F REQUIREMENTS.
- 4. MOUNTING PANEL THICKNESS 1.47 - 1.60 [.058 - .063].
- △ THESE TWO SUGGESTED CUTOUT OPENINGS ARE USED IN TANDEM WITH DUAL FRONT AND BACK CUTOUTS.
- △ ONE MODULAR JACK ASSEMBLY AND ONE STRAIN RELIEF PER POLYBAG.
- △ USE OF STRAIN RELIEF IS OPTIONAL.
- △ REFER TO 408-8858 FOR TERMINATION INSTRUCTIONS USING SL SERIES TOOL TERMINATION. REFER TO 408-8417 FOR TERMINATION INSTRUCTIONS USING 110 PUNCH DOWN TOOL.
- △ TWENTY-FIVE MODULAR JACKS PER POLYBAG.



PACKAGE	HOUSING COLOR	PART NUMBER
△ 9	ALPINE WHITE	3-1375191-3
	ELECTRIC IVORY	3-1375191-1
	VIOLET	3-1375191-0
	GREEN	2-1375191-9
	YELLOW	2-1375191-8
	RED	2-1375191-7
	BLUE	2-1375191-6
	ORANGE	2-1375191-5
	NEMA GRAY	2-1375191-4
	WHITE	2-1375191-3
	BLACK	2-1375191-2
	LIGHT ALMOND	2-1375191-1
△ 6	ALPINE WHITE	1-1375191-3
	ELECTRIC IVORY	1-1375191-1
	VIOLET	1-1375191-0
	GREEN	1375191-9
	YELLOW	1375191-8
	RED	1375191-7
	BLUE	1375191-6
	ORANGE	1375191-5
	NEMA GRAY	1375191-4
	WHITE	1375191-3
	BLACK	1375191-2
	LIGHT ALMOND	1375191-1

DIMENSIONS: MM [inches] TOLERANCES UNLESS OTHERWISE SPECIFIED: 0 PLC ± 1 PLC ± 2 PLC ± 3 PLC ± 4 PLC ± ANGLES ±		DWN T. PITTS 05NOV01 CHK L. SMITH 15NOV01 APVD C. DOOLEY 15NOV01 PRODUCT SPEC 108-1990-108-1990-2 APPLICATION SPEC 8 WEIGHT - CUSTOMER DRAWING		Tyco Electronics Harrisburg, PA 17105-3608 ASSEMBLY, SL 110 JACK, CATEGORY 5e SIZE CASE CODE DRAWING NO RESTRICTED TO A 00779 C=1375191 SCALE 4:1 SHEET 1 OF 1 REV H	
--	--	--	--	---	--