

THIS DRAWING IS UNPUBLISHED. RELEASED FOR PUBLICATION  
 © COPYRIGHT BY TYCO ELECTRONICS CORPORATION. ALL INTERNATIONAL RIGHTS RESERVED.

LOC		DIST		REVISIONS			
P	LTR	DESCRIPTION		DATE	DWN	APVD	
E2		REVISED PER ECO-09-016430		15JUL09	HMR	CR	

OPTIONAL MOUNTING HOLES  
 $\phi 4.11$   
 $[\phi .162]$  THRU  
 TYP 2 PLC

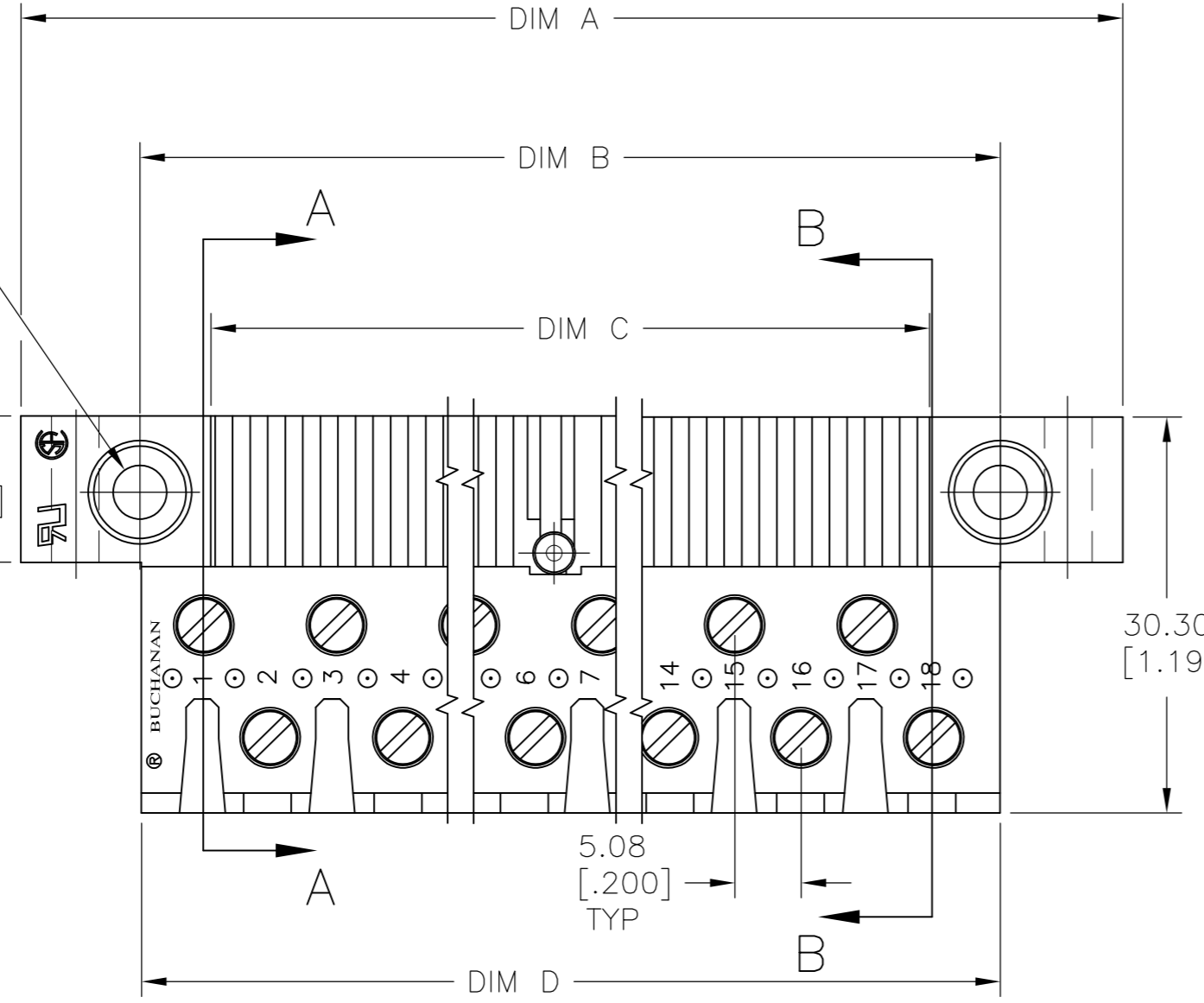
CONNECTOR  
 EDGE (SHORT)

10.31  
 $[\ .406]$

11.21  
 $[\ .442]$

14.73  
 $[\ .580]$

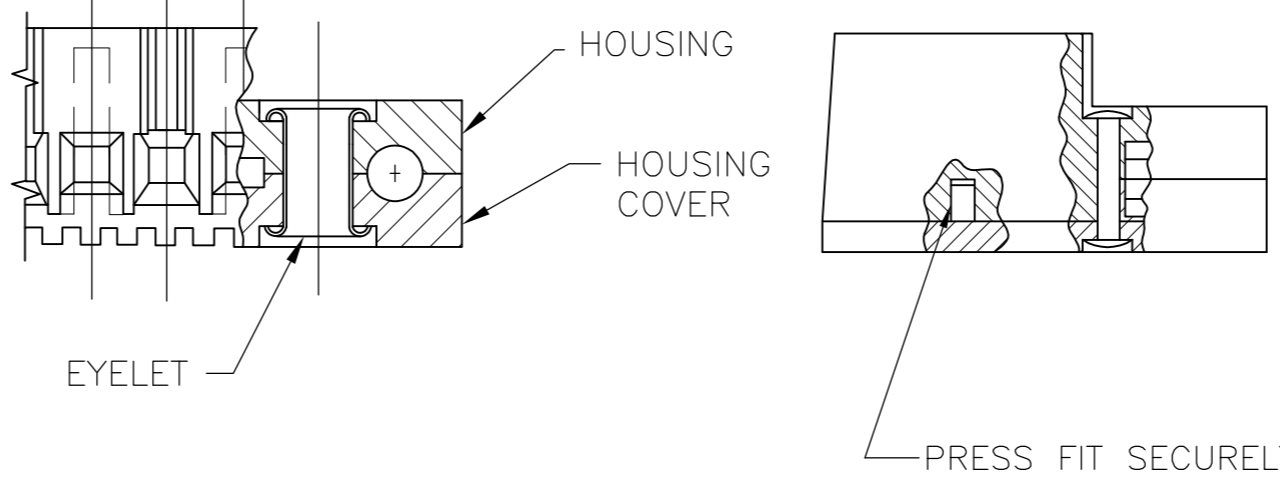
SECTION A-A



CONNECTOR  
 EDGE (LONG)

CLAMP ASSY,  
 TUBULAR

SECTION B-B



MATERIAL:  
 HOUSING : POLYESTER UL94V-0  
 PC CONTACT : BRASS WITH TIN OR GOLD OVER NI.  
 TUBULAR CONTACT : BRASS  
 SCREW : ZINC PLATED STEEL

MECHANICAL PROPERTIES:  
 SCREW SIZE : #6-32  
 TIGHTENING TORQUE : 5-8 IN-LBS.  
 BOARD INSERTION FORCE : 5.6 OZ. PER CKT.  
 BOARD SEPARATION FORCE : 1.8 OZ. PER CKT.

ELECTRICAL PROPERTIES:  
 MAX. CURRENT : 10A  
 OPERATING VOLTAGE : 250V  
 WIRE RANGE : 1 OR 2 #18 SOL/STR

ENVIRONMENTAL PROPERTIES:  
 OPERATING TEMPERATURE : -65°C TO +140°C

3.200	2.920	3.200	3.950	TIN	15	PCB3A15S	9-1437410-6
3.812	3.520	3.812	4.550	TIN	18	PCB3A18S	1437411-2
1.400	1.120	1.400	2.150	TIN	6	PCB3A06S	8-1437410-8
DIM D	DIM C BOARD WIDTH	DIM B	DIM A	CONTACT FINISH	NO OF POSITION	CATALOG NUMBER	PART NUMBER

THIS DRAWING IS A CONTROLLED DOCUMENT.

DWN RAGHAVENDRA 04SEP2008	Tyco Electronics Corporation Harrisburg, PA 17105-3608
CHK SAM MACE 04SEP2008	
APVD SAM MACE 04SEP2008	
PRODUCT SPEC	
APPLICATION SPEC	NAME
WEIGHT	PCB3A06S=0.200 TERM BLK
CUSTOMER DRAWING	SIZE A2 CAGE CODE 00779 DRAWING NO C=8-1437410-8 RESTRICTED TO SCALE 2:1 SHEET 1 OF 1 REV E2