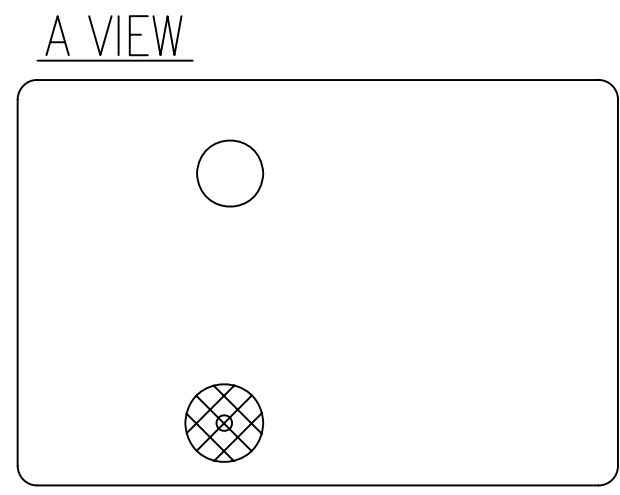
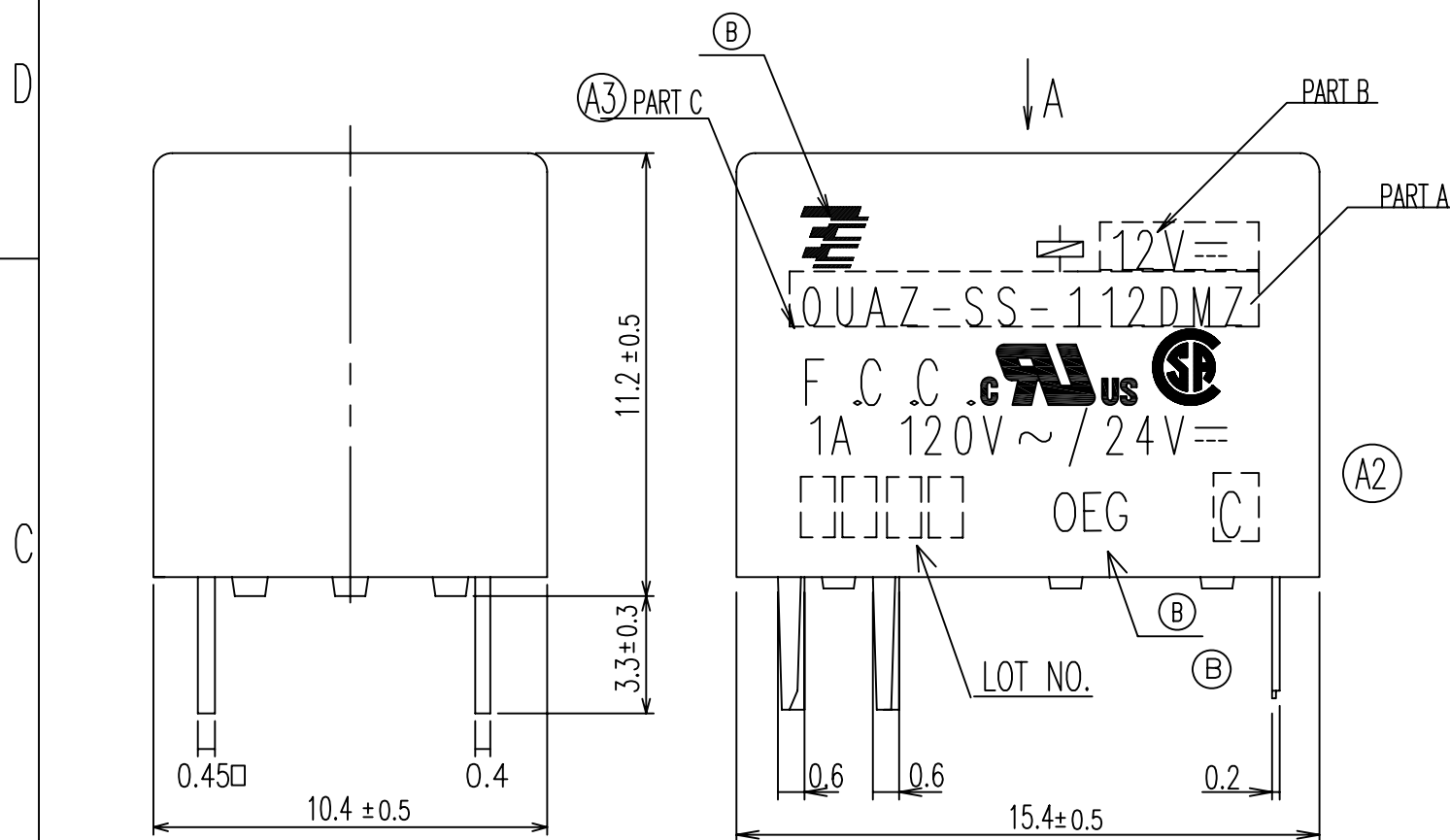
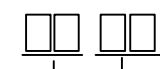
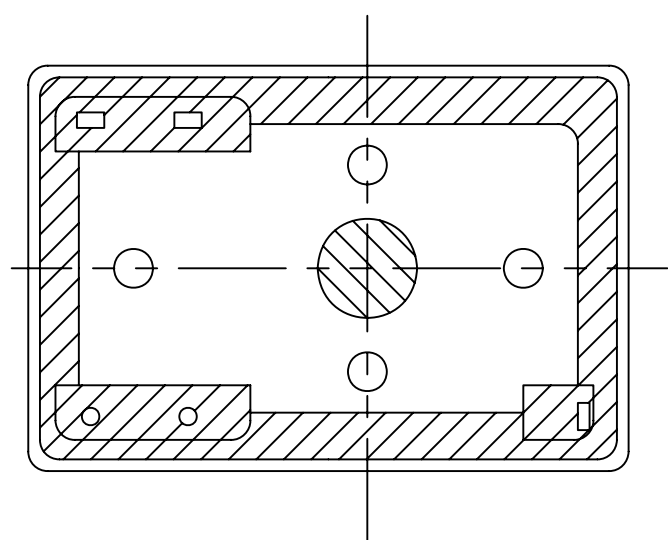


THIS DRAWING IS UNPUBLISHED. RELEASED FOR PUBLICATION  
 © COPYRIGHT BY TYCO ELECTRONICS CORPORATION. ALL RIGHTS RESERVED.

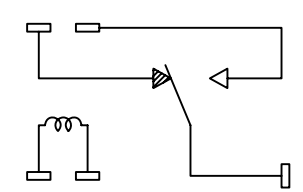
LOC	HB	DIST	REVISIONS						
			P	LTR	DESCRIPTION	ECN	DATE	DWN	APVD
				A3	ADD TYPE	ECO-07-025262	05-Nov-07	SZ.Z	YBH
				B	CHANGE DATE CODE AND TE LOGO	ECO-08-007865	13-APR-08	CY.Z	YBH



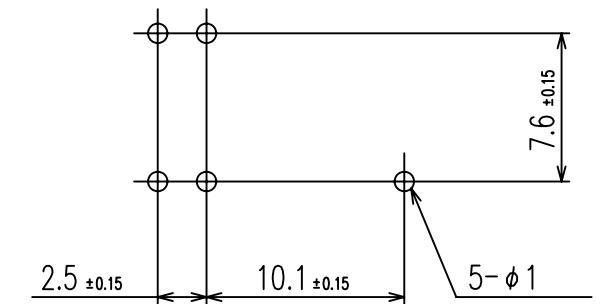
(B) NOTES:  
 1. LOT NO. SYSTEM AS FOLLOWING:  
  
 WEEK  
 YEAR



WIRING DIAGRAM


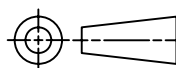


PCB LAYOUT (GENERAL TOLERANCE ± 0.15)



GENERAL TOLERANCE:

Diagram Dimension	Tolerance
0.99mm,max	±0.1mm
1-2.99mm	±0.2mm
3mm min	±0.3mm

THIS DRAWING IS A CONTROLLED DOCUMENT FOR TYCO ELECTRONICS CORPORATION IT IS SUBJECT TO CHANGE AND THE CONTROLLING ENGINEERING ORGANIZATION SHOULD BE CONTACTED FOR THE LATEST REVISION.		DWN Steven.Zhou	 Tyco Electronics Corporation ShenZhen, China	
DIMENSIONS: mm		CHK Banghua,Yu		
		APVD Sunny,Zhang	NAME OUAZ D/L STANDARD CUSTOMER DRAWING	
TOLERANCES UNLESS OTHERWISE SPECIFIED:		PRODUCT SPEC SEE RELAY TYPE	SIZE A3	
0 PLC ±		APPLICATION SPEC	CAGE CODE 00779	DRAWING NO 1461015
1 PLC ±		WEIGHT	RESTRICTED TO -	
2 PLC ±		CUSTOMER DRAWING	SCALE 5:1	
3 PLC ±			SHEET 1 OF 2	
4 PLC ±		REV B		
ANGLES ±				
MATERIAL -				
FINISH -				

THIS DRAWING IS UNPUBLISHED.

RELEASED FOR PUBLICATION

© COPYRIGHT BY TYCO ELECTRONICS CORPORATION. ALL RIGHTS RESERVED.

LOC  
HB

DIST

REVISIONS

P	LTR	DESCRIPTION	ECN	DATE	DWN	APVD

(A3)

NONE	1461015-6	OUAZ-SH-118L	900	18V	OUAZ-SH-118L	x
MARKING	4-1419145-8	OUAZ-SH-124L	900	24V	OUAZ-SH-124L	w
MARKING	6-1419130-5	OUAZ-SH-112L	900	12V	OUAZ-SH-112L	v
MARKING	4-1419145-6	OUAZ-SH-109L	900	9V	OUAZ-SH-109L	u
MARKING	4-1419145-3	OUAZ-SH-106L	900	6V	OUAZ-SH-106L	t
MARKING	4-1419145-0	OUAZ-SH-105L	900	5V	OUAZ-SH-105L	s
MARKING	4-1419130-0	OUAZ-SH-103L	900	3V	OUAZ-SH-103L	r
MARKING	1461015-4	OUAZ-SH-124D	900	24V	OUAZ-SH-124D	q
MARKING	5-1419130-6	OUAZ-SH-112D	900	12V	OUAZ-SH-112D	p
MARKING	1461015-3	OUAZ-SH-109D	900	9V	OUAZ-SH-109D	o
MARKING	1461015-2	OUAZ-SH-106D	900	6V	OUAZ-SH-106D	n
MARKING	3-1419145-9	OUAZ-SH-105D	900	5V	OUAZ-SH-105D	m
MARKING	1461015-5	OUAZ-SH-103D	900	3V	OUAZ-SH-103D	l
MARKING	TE PART NO	DESCRIPTION	PART B	PART A	TYPE	

MARKING	1-1419131-1	OUAZ-SS-124L	900	24V	OUAZ-SS-124L	k
MARKING	1419131-5	OUAZ-SS-112L	900	12V	OUAZ-SS-112L	j
MARKING	9-1419130-8	OUAZ-SS-109L	900	9V	OUAZ-SS-109L	i
MARKING	5-1419145-4	OUAZ-SS-106L	900	6V	OUAZ-SS-106L	h
MARKING	8-1419130-6	OUAZ-SS-105L	900	5V	OUAZ-SS-105L	g
MARKING	1461015-1	OUAZ-SS-124D	900	24V	OUAZ-SS-124D	f
MARKING	5-1419145-7	OUAZ-SS-112D	900	12V	OUAZ-SS-112D	e
MARKING	9-1419130-3	OUAZ-SS-109D	900	9V	OUAZ-SS-109D	d
MARKING	5-1419145-2	OUAZ-SS-106D	900	6V	OUAZ-SS-106D	c
MARKING	8-1419130-3	OUAZ-SS-105D	900	5V	OUAZ-SS-105D	b
MARKING	5-1419145-0	OUAZ-SS-103D	900	3V	OUAZ-SS-103D	a
MARKING	TE PART NO	DESCRIPTION	PART B	PART A	TYPE	

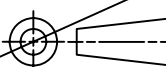
RELAY TYPE

UV RESIN	UV SEAL:3056C(VENT HOLE)	12
EPOXY RESIN	SEAL:2212E	11
POLYURETHANE COPPER WIRE	MAGNETIC WIRE	10
PBT	CASE	9
Cu ALLOY	MOVABLE SPRING	8
Cu ALLOY	B TERMINAL	7
Cu ALLOY	M TERMINAL	6
STEEL	ARMATURE	5
STEEL	CORE	4
STEEL	YOKE	3
C.P WIRE	COIL TERMINAL	2
PBT	BOBBIN	1
MATERIAL	DESCRIPTION	ITEM

THIS DRAWING IS A CONTROLLED DOCUMENT FOR TYCO ELECTRONICS CORPORATION IT IS SUBJECT TO CHANGE AND THE CONTROLLING ENGINEERING ORGANIZATION SHOULD BE CONTACTED FOR THE LATEST REVISION.

DIMENSIONS:

mm



TOLERANCES UNLESS OTHERWISE SPECIFIED:

0 PLC	±
1 PLC	±
2 PLC	±
3 PLC	±
4 PLC	±
ANGLES	±

MATERIAL

FINISH

DWN

CHK

APVD

PRODUCT SPEC

APPLICATION SPEC

WEIGHT

CUSTOMER DRAWING



Tyco Electronics

Tyco Electronics Corporation  
ShenZhen, China

NAME

OUAZ D/L STANDARD CUSTOMER DRAWING

SIZE

A3

CAGE CODE

00779

DRAWING NO

1461015

RESTRICTED TO

-

SCALE

SHEET

2 OF 2

REV

B