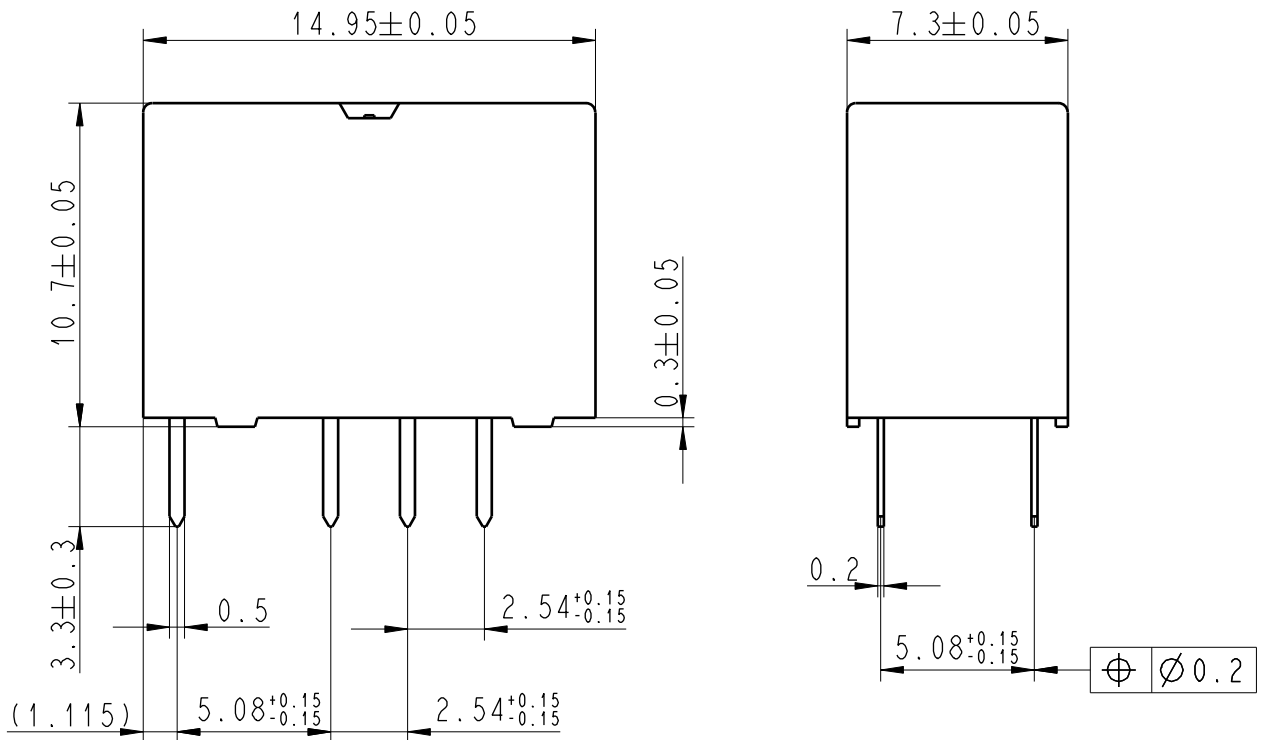
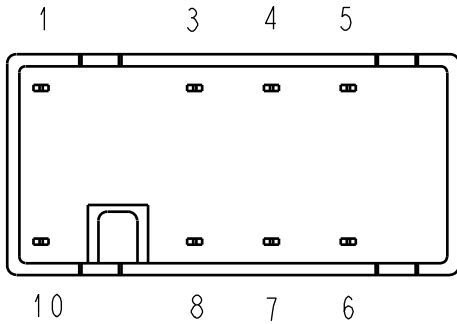


LOC	DIST	REVISIONS						
		P	LTR	DESCRIPTION	DATE	DWN	APVD	
HJ	-		A4	Doc change D02309-DOK51 to C-1462034-2	30Jan2006	UKo	HD	
			A5	change marking	28Jul2006	UKo	HD	



xxxx = Relay type
 zz = nominal voltage
 YYWW = Date code

DRAWING ALIAS D02309-DOK51

2006

RELEASED FOR PUBLICATION

THIS DRAWING IS UNPUBLISHED.

© COPYRIGHT 2006 BY TYCO ELECTRONICS CORPORATION. ALL RIGHTS RESERVED.

DIMENSIONS: mm	DWN RG 9181	21Mar1995	MATERIAL	-	FINISH	-
	CHK HD 9121	21Mar1995	tyco Electronics AXICOM AG CH - 8804 Au ZH			
TOLERANCES UNLESS OTHERWISE SPECIFIED: DIN 7168-m	APVD HD 9121	21Mar1995	NAME FX2-Relay Dimensions			
	PRODUCT SPEC		-			
0 PLC ±-	APPLICATION SPEC		-			
1 PLC ±-	-		SIZE	CAGE CODE	DRAWING NO	RESTRICTED TO
2 PLC ±-	-		A4	00779	C-1462034-2	-
3 PLC ±-	-		CUSTOMER DRAWING			
4 PLC ±-	-		SCALE	4:1	SHEET 1 OF 1	REV A5
ANGLES ±-	-					

