

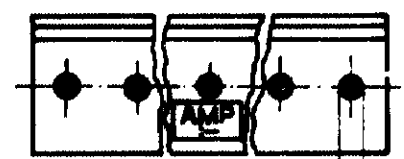
C 880222
1 of 2

DO NOT SCALE
DIMENSIONS IN MM.

METRIC



RESTRITO PARA TELEFUNKEN

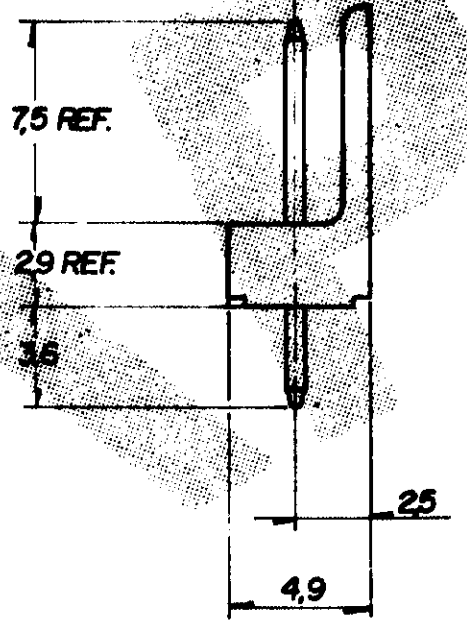
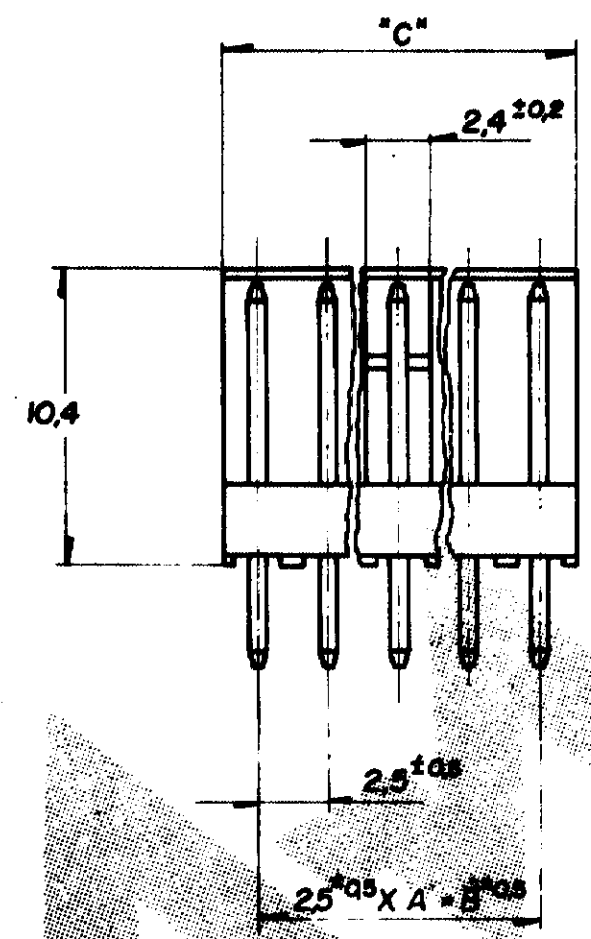


Ø 0,64 ±0,05

1 - MATERIAL - HEADER: NYLON 6/6 94-VO
PINO: LATÃO - ESTANHO SOBRE NICKEL.

2 OBSOLETE PARTS: OBSOLETE CIS STREAMLINING PER D.RENAUD/D.SINISI

See Sheet 2 of 2



See Sheet 2 of 2

See Sheet 2 of 2

300	27,5	11	12					5-	-2
27,5	25,0	10	11					5-	-1
25,0	22,5	9	10					5-	-0
22,5	20,0	8	9					4-	-9
20,0	17,5	7	8					4-	-8
17,5	15,0	6	7					4-	-7
15,0	12,5	5	6					4-	-6
12,5	10,0	4	5					4-	-5
10,0	7,5	3	4					4-	-4
7,5	5,0	2	3					4-	-3
						NATURAL		4-	-2
37,5	35,0	14	15					3-	-5
35,0	32,5	13	14					3-	-4
32,5	30,0	12	13					3-	-3
30,0	27,5	11	12					3-	-2
27,5	25,0	10	11					3-	-1
25,0	22,5	9	10					3-	-0
22,5	20,0	8	9					2-	-9
20,0	17,5	7	8					2-	-8
17,5	15,0	6	7					2-	-7
15,0	12,5	5	6					2-	-6
12,5	10,0	4	5					2-	-5
10,0	7,5	3	4					2-	-4
7,5	5,0	2	3					2-	-3
						PRETO		2-	-2
37,5	35,0	14	15					1-	-5
35,0	32,5	13	14					1-	-4
32,5	30,0	12	13					1-	-3
30,0	27,5	11	12					1-	-2
27,5	25,0	10	11					1-	-1
25,0	22,5	9	10					1-	-0
22,5	20,0	8	9						-9
20,0	17,5	7	8						-8
17,5	15,0	6	7						-7
15,0	12,5	5	6						-6
12,5	10,0	4	5						-5
10,0	7,5	3	4						-4
7,5	5,0	2	3						-3
						NATURAL			-2

C

B

A

TOLERÂNCIA NÃO CUMULATIVA



FURAÇÃO P/PLACA DE C.I. RECOMENDADA

CUSTOMER DWG
for REFERENCE ONLY

J2	REVISED PER ECO-09-026444	KK	AEG	27NOV. 09
J1	Revisado E.C. 0204-93	H.C.		12-09-90
J	Revisado ECN 3681	H.C.		12-09-90
I	Revisado ECN 2669	H.C.		12-09-90
H	Revisado ECN 2812	H.C.		28-7-91
G	Revisado E.N 2529	H.C.		28-7-91
F	Revisado ECN 2177	H.C.		22-06-90
E	Andes. e Revisado ECN 2177	H.C.		22-06-90
DR	REVISION RECORD	DR	DRS	DATE

THIS DRAWING IS UNPUBLISHED RELEASED FOR PUBLICATION
© COPYRIGHT IS RESERVED BY AMP DO BRASIL LTDA S.P. ALL INTERNATIONAL RIGHTS RESERVED AND PRODUCTS MAY BE COVERED BY U.S. AND FOREIGN PATENTS AND/OR PATENTS PENDING.
TOLERANCES UNLESS OTHERWISE STATED
DEC. ± 0,3
ANGLES ± 1°

AMP do BRASIL LTDA
São Paulo, Brasil

DESCRIPTION
AMP E.I. SÉRIES HEADER ASS'Y
STRAIGHT (ROUND POST)

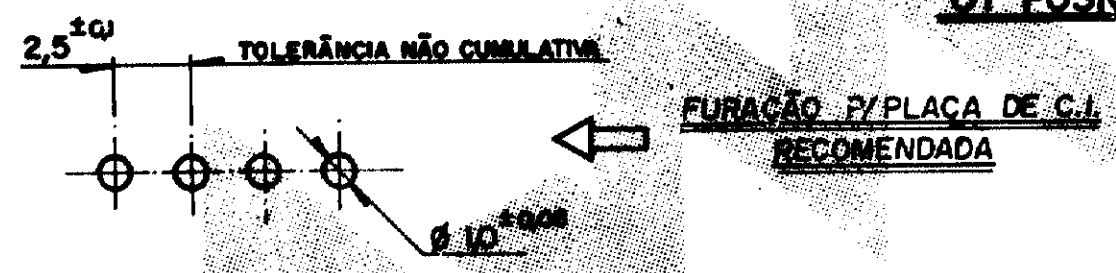
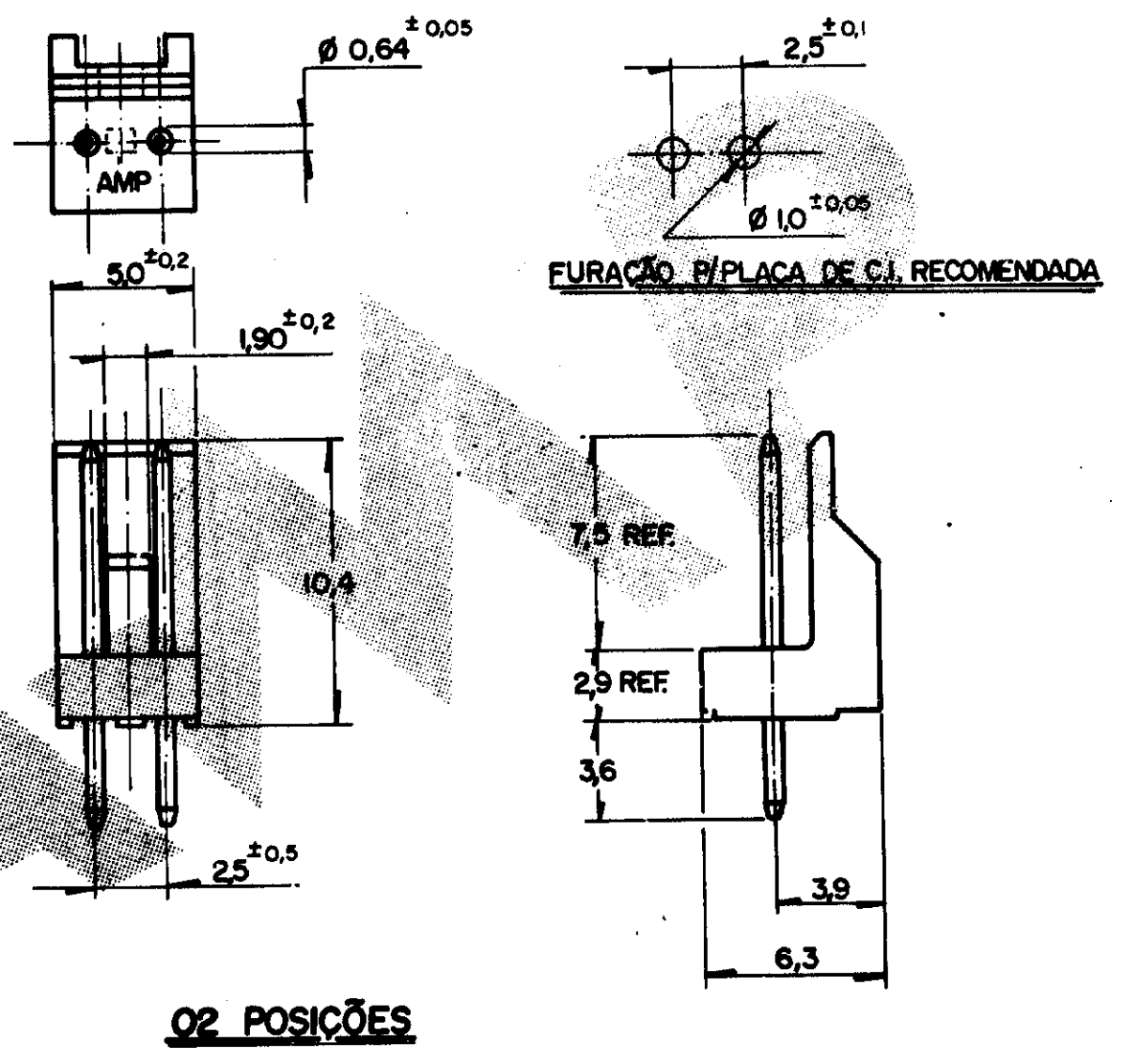
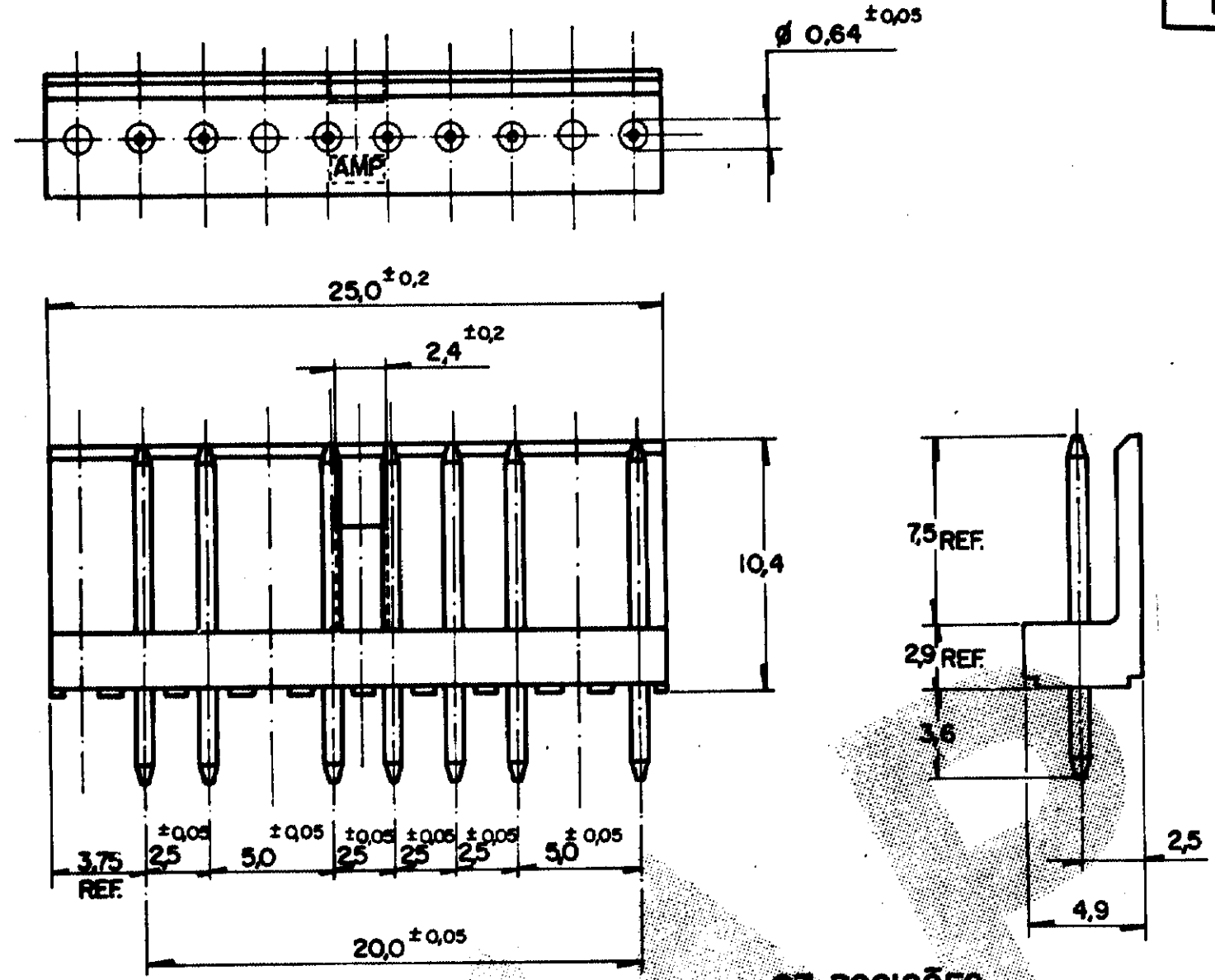
A3 DWG NO C 880222

SHEET 1 of 2

C 880222
2 of 2

DO NOT SCALE
DIMENSIONS IN

METRIC



NOTAS:

- 1 - MATERIAL: HEADER - NYLON 6/6 - 94 V-O.
PINO - LATAO - ESTANHO SOBRE NICKEL.
- 2 OBSOLETE PARTS: OBSOLETE CIS STREAMLINING
PER D.RENAUD/D.SINISI

RESTRITO P/TELEFUNKEN	7	NATURAL		6	1	2
	1	NATURAL		4		- 2
		PRETO		2		- 2
	2	NATURAL				880222 - 2
OTHER TREATMENT	Nº POS.	FINISH	MATERIAL	PART NUMBER		

CUSTOMER DWG
for REFERENCE ONLY

THIS DRAWING IS UNPUBLISHED RELEASED FOR PUBLICATION IS
© COPYRIGHT IS BY AMP DO BRASIL LTDA S.P. ALL INTERNATIONAL RIGHTS
RESERVED AMP PRODUCTS MAY BE COVERED BY U.S. AND FOREIGN PATENTS AND/OR PATENTS PENDING.

TOLERANCES UNLESS OTHERWISE STATED DEC. ± 0.5 ANGLES ± 1°	INS. DIA. RANGE	WIRE RANGE	SCALE
DR. H.C. Carter 08/Jul/93	AMP do BRASIL LTDA. São Paulo, Brasil		
CHK. DELUXO 19/Jul/93	DESCRIPTION AMP E.I. SERIES HEADER ASS'Y STRAIGHT (ROUND POST)		
DE.	A3	DWG NO C 880222	SHEET 2 of 2

REVISION RECORD DR CNK DATE APP. 01/Jan/99