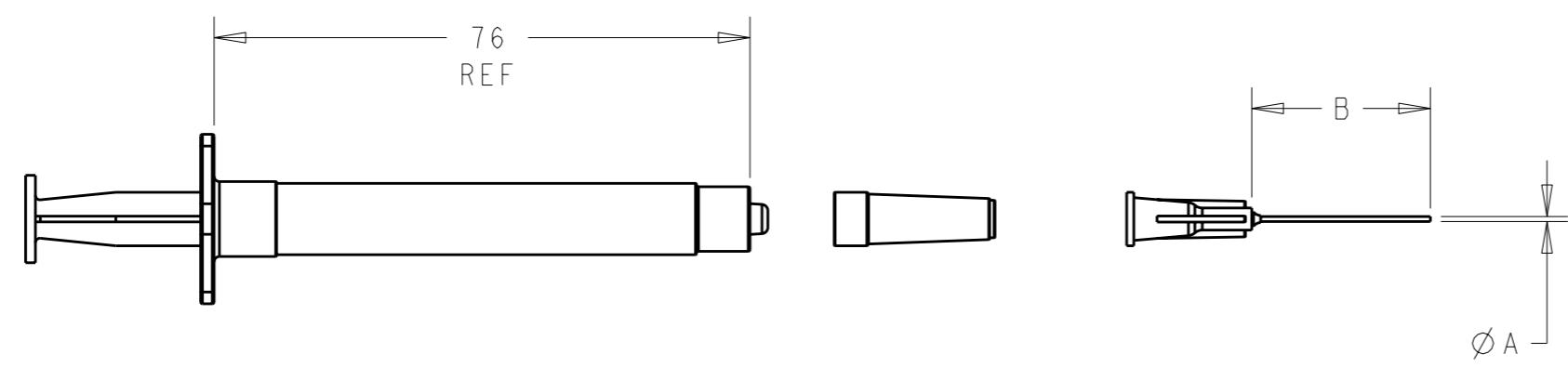
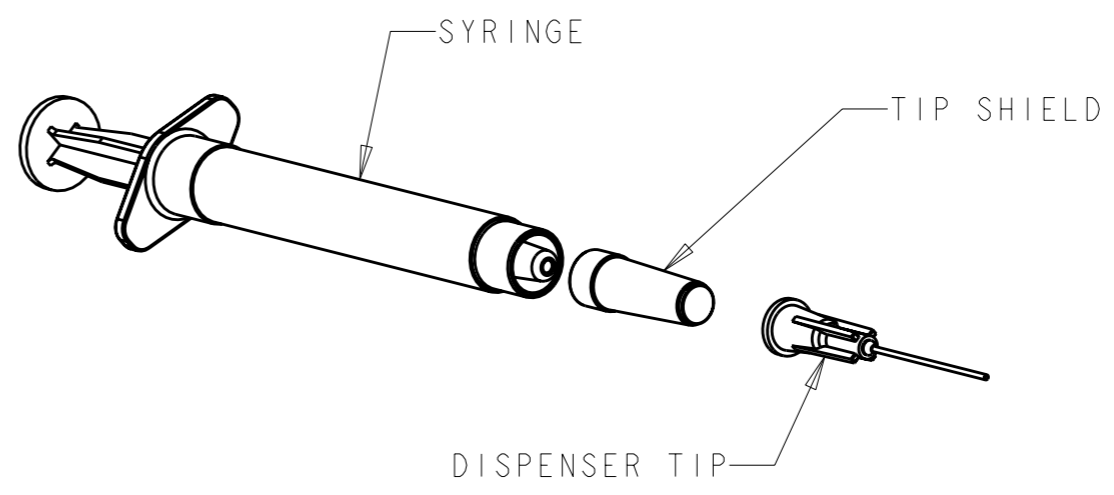


THIS DRAWING IS UNPUBLISHED. RELEASED FOR PUBLICATION 20
 © COPYRIGHT 20 BY TYCO ELECTRONICS CORPORATION. ALL RIGHTS RESERVED.

LOC	DIST	REVISIONS					
		P	LTR	DESCRIPTION	DATE	DWN	APVD
CE	00		G	REVISE PER ECR-06-026109	14NOV2006	BB	DK
			H	REVISE PER ECR-07-029335	20DEC2007	BB	DK

I. TIP MAY NOT APPEAR EXACTLY AS SHOWN.



OBSELETE	38.1 REF	1.27 REF	501473-5
	13 REF	1.27 REF	501473-4
	25.4 REF	0.89 REF	501473-3
	-	-	501473-2
SUPERSEDED BY 501473-3	-	-	501473-1
SUPERSEDED BY 501473-3	-	-	501473-1
	B	Ø A	PART NUMBER

<small>THIS DRAWING IS A CONTROLLED DOCUMENT FOR TYCO ELECTRONICS CORPORATION IT IS SUBJECT TO CHANGE AND THE CONTROLLING ENGINEERING ORGANIZATION SHOULD BE CONTACTED FOR THE LATEST REVISION.</small>		DWN T. ALEXANDER 24JUL2000 CHK S. MILLER 24JUL2000 APVD S. BUCHTER 15AUG2000		Tyco Electronics Harrisburg, PA 17105-3608	
DIMENSIONS: mm		TOLERANCES UNLESS OTHERWISE SPECIFIED: 0 PLC ±- 1 PLC ±1.3 2 PLC ±0.13 3 PLC ±- 4 PLC ±- ANGLES ±-		NAME EPOXY APPLICATOR KIT PRODUCT SPEC - APPLICATION SPEC - WEIGHT -	
MATERIAL - FINISH -		CUSTOMER DRAWING		SIZE A3 CAGE CODE 00779 DRAWING NO C-501473	RESTRICTED TO - SCALE 2:1 SHEET 1 OF 1 REV H