

**FSD Connector Components — Multimode**

**Product Facts**

- Meets specifications of FDDI PMD - ANSI X3.166
- Ceramic or polymer composite ferrules
- Designed in polarization and user defined keying

**Performance Characteristics**

**Insertion Loss** — 0.5dB typical

**Durability** —

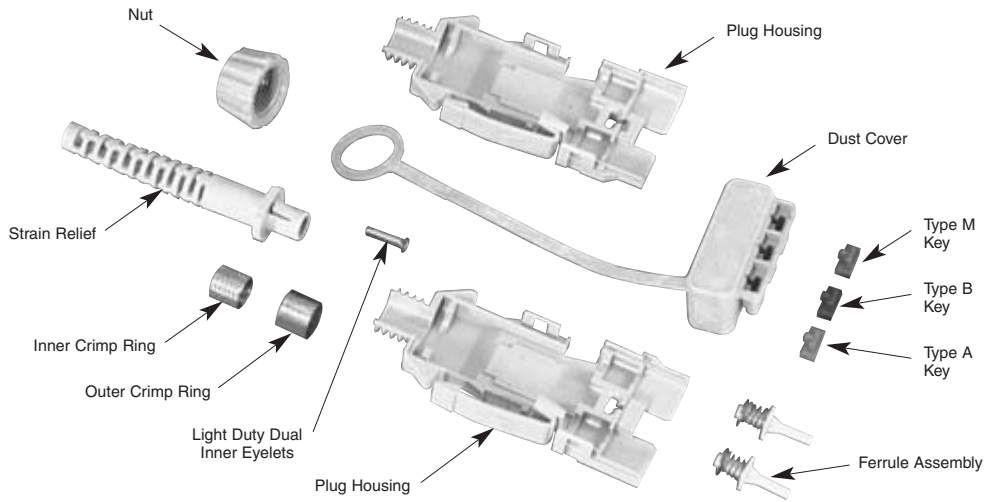
Ceramic Ferrules 500 cycles  
 Polymer Ferrules 250 cycles

**Ceramic Instruction Sheet**

408-9373

**Polymer Instruction Sheet**

408-9972



**FSD**

Diameter (µm)	Part Number				Replacement Ferrules
	Cable Type				
	DUALAN Cable		Light Duty DUALAN Cable		
	Single Packed	Bulk Packed	Single Packed	Bulk Packed	
<b>Ceramic Ferrules</b>					
125	5501780-1	501780-3*♦	5502015-1	502015-3*♦	5501779-1
<b>Polymer Ferrules</b>					
125	503347-1	503347-4	503347-5	503347-7	—

Termination Kit: 503746-6

\* Bulk packed, 200 per package.

Assembly Fixtures: with Polishing Tool: 501795-1; without Polishing Tool: 502023-1

**Field Keyable FSD Receptacles and Adapters**



**Multimode Receptacles**

Description	Sleeve Material	
	Metal	Ceramic
FSD to FSD	502806-2	502806-4
FSD to ST	502808-2	502808-4

**Note:** Part Numbers are RoHS compliant except: ♦ Indicates non-RoHS compliant.



**ESCON Connector Components**

**ESCON Connector Plug**

**Product Facts**

- Multimode
- IBM Approved
- Simple field assembly

**Performance Characteristics**

**Assembly Loss** — 0.2 dB Typical  
**Durability** — 200 cycles

**Instruction Sheet**

408-9808



Description	Part Number
125 μm	Black
DUALAN Cable	5492181-1
DUALAN Cable	5492181-2*

\* Bulk packed, 50 per package  
 Termination Kit: 503746-6.

**ESCON Receptacles**

**Product Facts**

- Multimode



Description	Part Number
	Black
ESCON to ESCON	502825-2
ESCON to ST	502826-2

**Receptacle Dust Cover**



Description	Part Number
	Black
Without Mounting Strap	503004-3

**ESCON Assembly Fixture Kit**

Used to hold ferrules during assembly, epoxy curing, and polishing. Allows simultaneous polishing of both ferrules.



Description	Part Number
	Black
Without Polishing Bushing	492236-2
Polishing Bushing	492269-1

**Note:** Part Numbers are RoHS compliant except: ♦ Indicates non-RoHS compliant.

### FSMA Products — Multimode

#### Product Facts

- Industry compatible with 905 (FSMA-I) and 906 (FSMA-II) style connectors
- Terminates fiber sizes from 125 through 1000 microns in diameter
- Design parameters conform to NATO and IEC interface standards

#### Performance Characteristics

**Insertion Loss** — 1.5 dB Typical

**Temperature Range** — -55°C to +105°C

**Durability** — 200 cycles

#### Instruction Sheet

FSMA 905 & 906 — 408-9863



#### FSMA Connectors

Ferrule Material	Connector Body Material	Fiber Diameter (µm)	Nominal Jacket O.D.		
			3.1mm		4.3mm
			905	906	905
Stainless Steel	Nickel-Plated Brass	125	5504566-1	5504014-1	5504567-1
		140	5504566-2	1-5504014-0	5504567-2
		231	5504566-7	—	—
		1000	3-5504566-0	—	—
		336	1-5504566-4	—	—
		720	—	—	3-5504566-9
		1050	3-5504566-1	—	2-5504566-9
		2050	—	—	3-5504566-3

#### Adapter

##### Product Facts

- Precision mating adapter for all FSMA connectors
- In-line splice or panel mount design



Description	Part Number
<b>FSMA Adapters</b>	
Hex Flange, Stainless Steel	501049-1
Hex Flange, Stainless Steel, Counterbore, Sealed	501050-1
Fixed Flange, Nickel-Plated Brass	5504026-1
In-Line, Stainless Steel	504028-1
In-Line, Nickel-Plated Brass, Counterbore	5504030-1
In-Line, Stainless Steel, Counterbore, Short	504031-1

#### Active Device Mount

##### Product Facts

- Designed to house TO-18, TO-46, and TO-52 devices
- Constructed of nickel plated die cast zinc alloy or stainless steel
- Mounts to PC board or through panel



Description	Part Number
<b>FSMA Active Device Mounts</b>	
PC Mount Receptacle, Die Cast	5502136-1
PC Mount Receptacle, Die Cast, Bulk Packaged	5502136-2
PC Mount Receptacle, Stainless Steel	501055-1

**Note:** Part Numbers are RoHS compliant except: ♦ Indicates non-RoHS compliant.