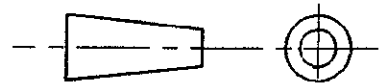
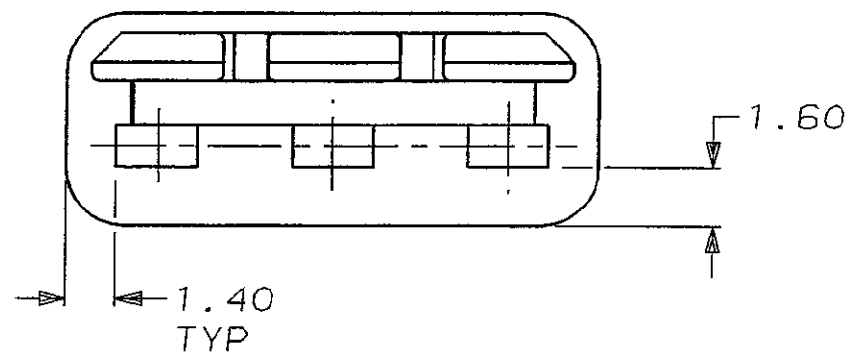
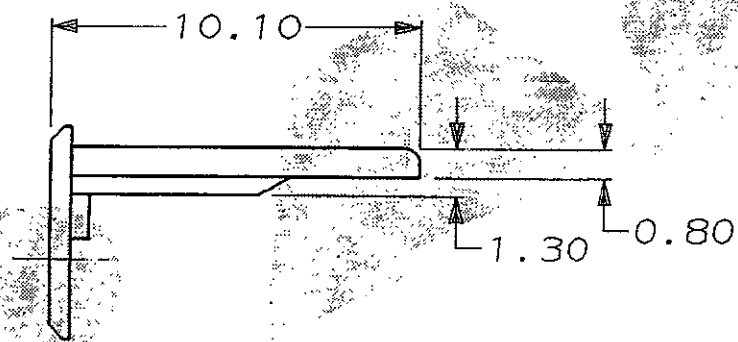
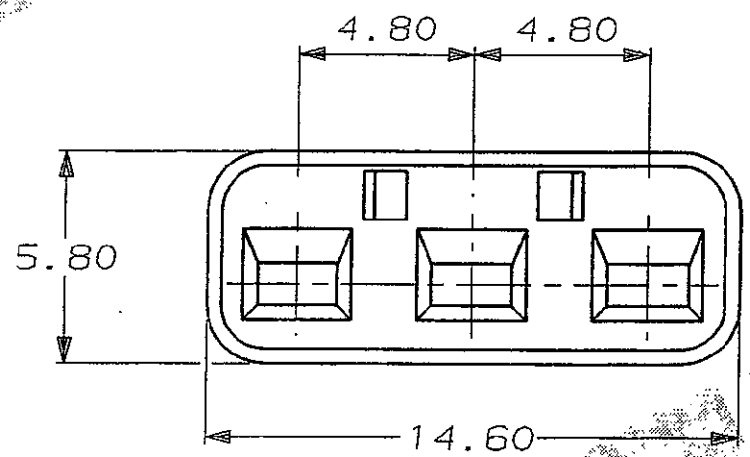
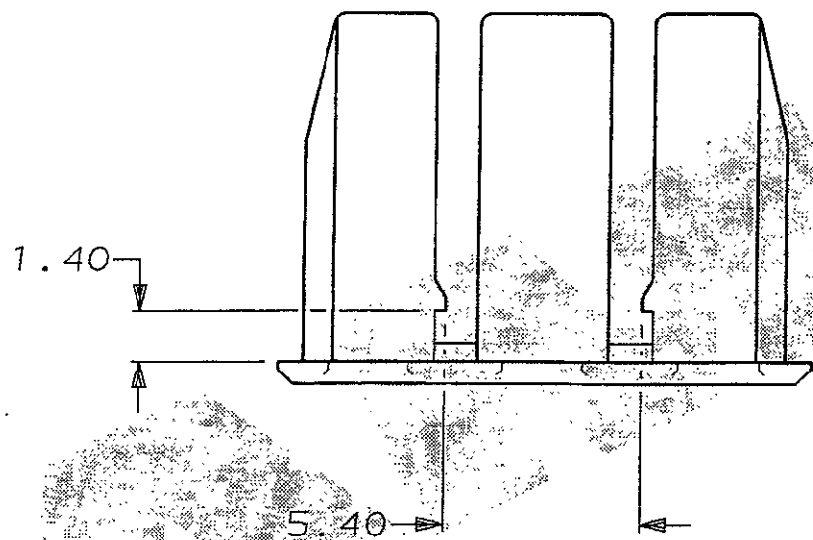


DO NOT SCALE

DIMENSIONS IN MM.



C.A.D. FILE CODE
S. C345256.



NOTE

THIS PART IS USED ON Pt.No. 344273-1

YELLOW		NYLON 66		345256-1	
COLOUR		MATERIAL		PART NUMBER	
CUSTOMER DWG FOR REFERENCE ONLY			© COPYRIGHT 1989 BY AMP OF GREAT BRITAIN LTD. ALL INTERNATIONAL RIGHTS RESERVED. ALL PRODUCTS MAY BE COVERED BY BRITISH AND FOREIGN PATENTS AND/OR PATENTS PENDING.		
-			TOLERANCES UNLESS OTHERWISE STATED :		DR. R. RUNAGALL. 05/12/89
-			DEC ± 0.5		CH. D.R. TERRY. APP. R. SIMMONS.
-			ANGLES ± 1°		AMP of Great Britain Ltd. TERMINAL HOUSE STANMORE MIDD.
-			NAME A/BACKOUT FOR 3 WAY REC. HSG. ECONOSEAL 3 LOW CURRENT		
A	E800-0027-00	P.B	18/1/00	SCALE	LOC
0	REL. FOR PRODUCTION	C5590	10/08/90	SIZE	DWG.No.
REV	APPROVED	ECN	DATE	5/1	E A3
				C345256	REV SHEET
				A	1/1