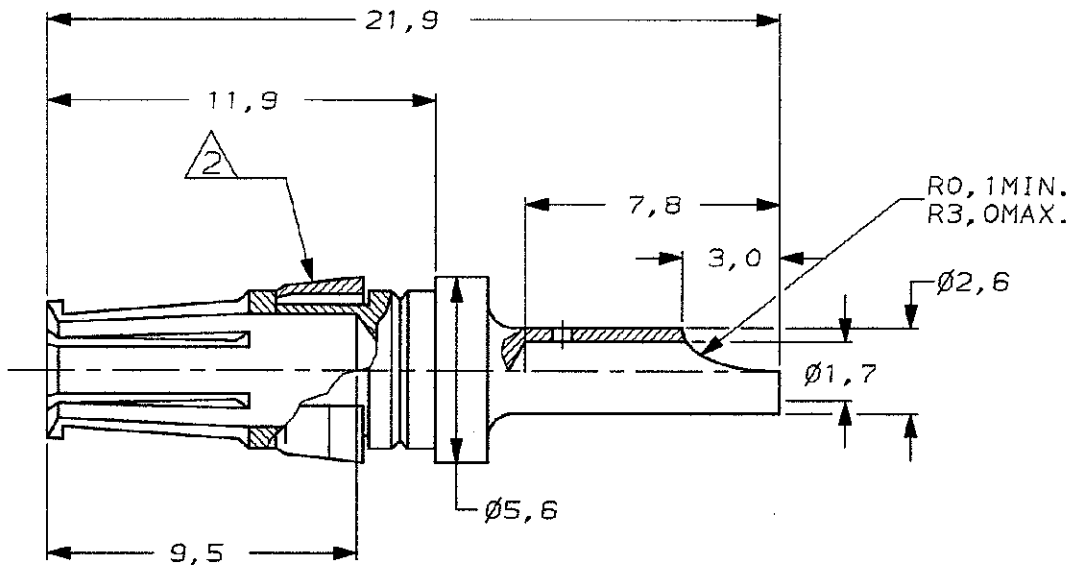
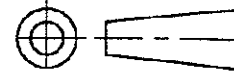


DO NOT SCALE

DIMENSIONS IN mm

METRIC

THIRD ANGLE
PROJECTIONNOTES:

- 1 SUITABLE FOR FEMALE D-IEC, DIN 41612
TYPE M FEMALE CONNECTORS AND 2mm Z-PACK HM
FEMALE CONNECTORS.

RETAINING RING.

GOLD (CLASS 1)		CONTACT; BERYLLIUM COPPER			100085-1	
FINISH		MATERIAL			PARTNUMBER	
-	-	-	-	-	CUSTOMER DRAWING FOR REFERENCE ONLY WILL NOT BE UPDATED	
-	-	-	-	-	© COPYRIGHT 19- BY AMP HOLLAND B.V. ALL INTERNATIONAL RIGHTS RESERVED. AMP PRODUCTS MAY BE COVERED BY U.S. AND FOREIGN AND/OR PATENTS PENDING.	
-	-	-	-	-	THIS DRAWING IS UNPUBLISHED RELEASED FOR PUBLICATION	
-	-	-	-	-	AMP HOLLAND B.V. 's-Hertogenbosch, The Netherlands.	
B	EH-1414-97	J.G.	J.G.	12-12-97	NAME	
A	H-9387	S.M.	-	11-12-91	POWER CONTACT FEMALE	
LTR.	REVISION RECORD	DR.	CHK.	DATE	SOLDER CUP F.M.L.B. (10 AMP)	
DR.	J.V.LIEMPT	CHK.	J. Gibbels	APP.	-	DWG.No.
DATE:	21-03-91	DATE:	12-12-91	DATE:	-	C-100085
		REV.LTR.	B	SHEET	1 OF 1	A4