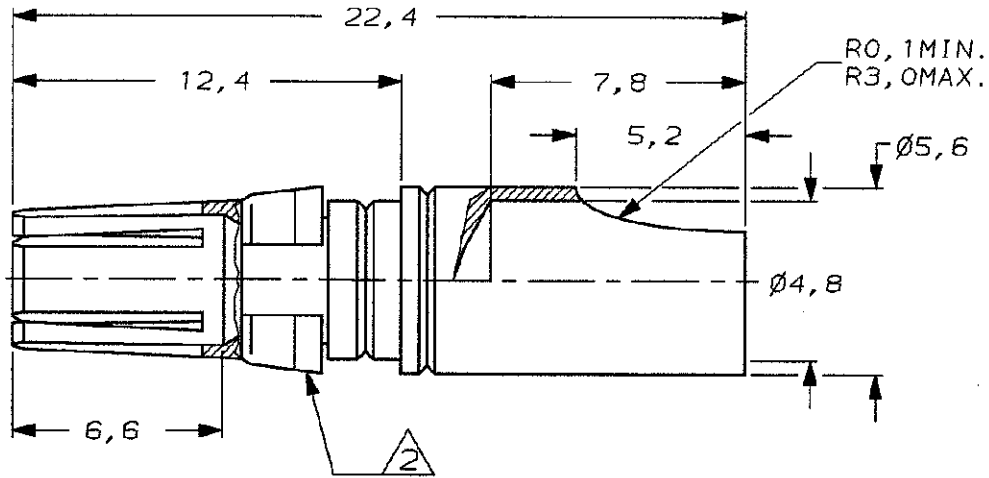
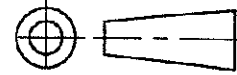


DO NOT SCALE

DIMENSIONS IN mm


METRIC

THIRD ANGLE
PROJECTION

NOTES:

1 SUITABLE FOR FEMALE D-IEC AND DIN 41612
TYPE M FEMALE CONNECTORS.

△ 2 RETAINING RING.

GOLD (CLASS 1) FINISH		CONTACT; BERYLLIUM COPPER			100087-1				
FINISH		MATERIAL			PARTNUMBER				
-	-	-	-	-	CUSTOMER DRAWING FOR REFERENCE ONLY WILL NOT BE UPDATED				
-	-	-	-	-	© COPYRIGHT 19- BY AMP HOLLAND B.V. ALL INTERNATIONAL RIGHTS RESERVED. AMP PRODUCTS MAY BE COVERED BY U.S. AND FOREIGN AND/OR PATENTS PENDING.				
-	-	-	-	-	THIS DRAWING IS UNPUBLISHED RELEASED FOR PUBLICATION ,19				
C	EH-1414-97	J.G.	J.G.	12-12-97	 AMP HOLLAND B.V. 's-Hertogenbosch, The Netherlands.	NAME POWER CONTACT FEMALE SOLDER CUP LONG (40 AMP)			
B	H-9578	S.M.	B.M.	04-03-92					
A	H-9387	S.M.	B.M.	11-12-91					
LTR.	REVISION RECORD	DR.	CHK.	DATE					
DR.	J.V.LIEMPT	CHK.	G. Gibbels	APP.	-	DWG.No.	REV.LTR.	SHEET	
DATE:	21-03-91	DATE:	12-12-97	DATE:	-	C-100087	C	1 of 1	A4