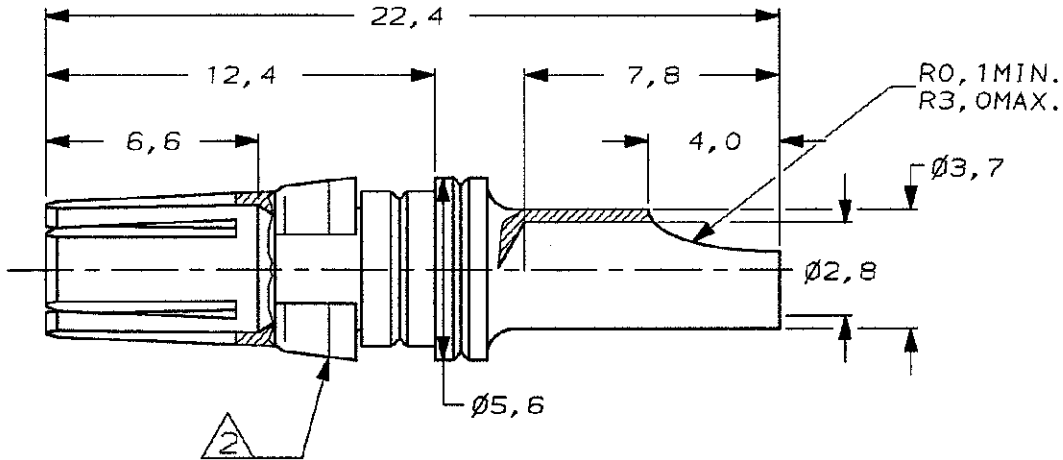
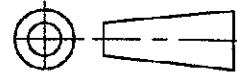


DO NOT SCALE

DIMENSIONS IN mm

METRIC

THIRD ANGLE  
PROJECTION



NOTES:

1 SUITABLE FOR FEMALE D-IEC AND DIN 41612  
TYPE M FEMALE CONNECTORS.

RETAINING RING.

GOLD (CLASS 1)		CONTACT; BERYLLIUM COPPER			100088-1	
FINISH		MATERIAL			PARTNUMBER	
-	-	-	-	-	CUSTOMER DRAWING FOR REFERENCE ONLY WILL NOT BE UPDATED	
-	-	-	-	-	© COPYRIGHT 19- BY AMP HOLLAND B.V. ALL INTERNATIONAL RIGHTS RESERVED. AMP PRODUCTS MAY BE COVERED BY U.S. AND FOREIGN AND/OR PATENTS PENDING.	
-	-	-	-	-	THIS DRAWING IS UNPUBLISHED RELEASED FOR PUBLICATION _____, 19____	
C	EH-1414-97	J.G.	J.G.	12-12-97	 AMP HOLLAND B.V. 's-Hertogenbosch, The Netherlands.	NAME POWER CONTACT FEMALE SOLDER CUP LONG (20 AMP)
B	H-9578	S.M.	B.M.	04-03-92		
A	H-9387	S.M.	B.M.	11-12-91		
LTR.	REVISION RECORD	DR.	CHK.	DATE		
DR.:	J.V.LIEHPT	CHK.:	J. Gibbels	APP.:	-	DWG. No.
DATE:	21-03-91	DATE:	12-12-97	DATE:	-	C-100088
		REV. LTR.	C	SHEET	1 OF 1	A4