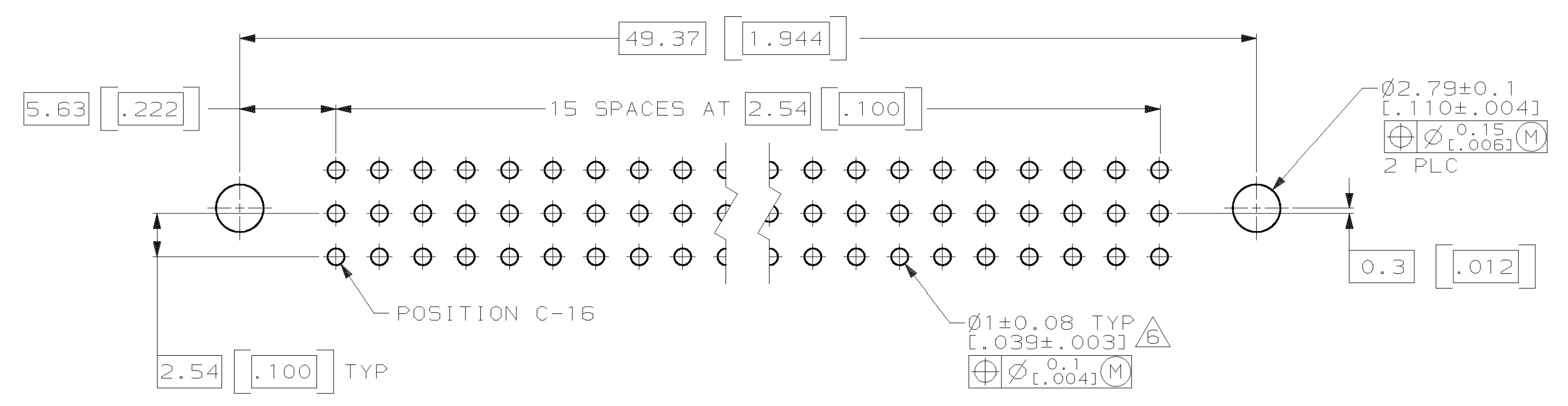
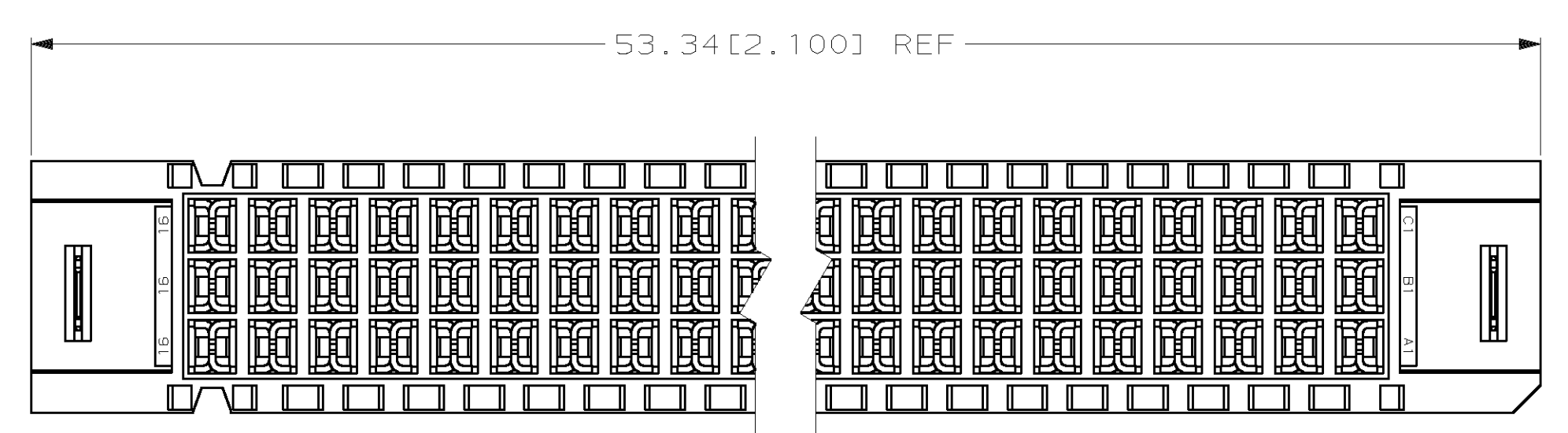
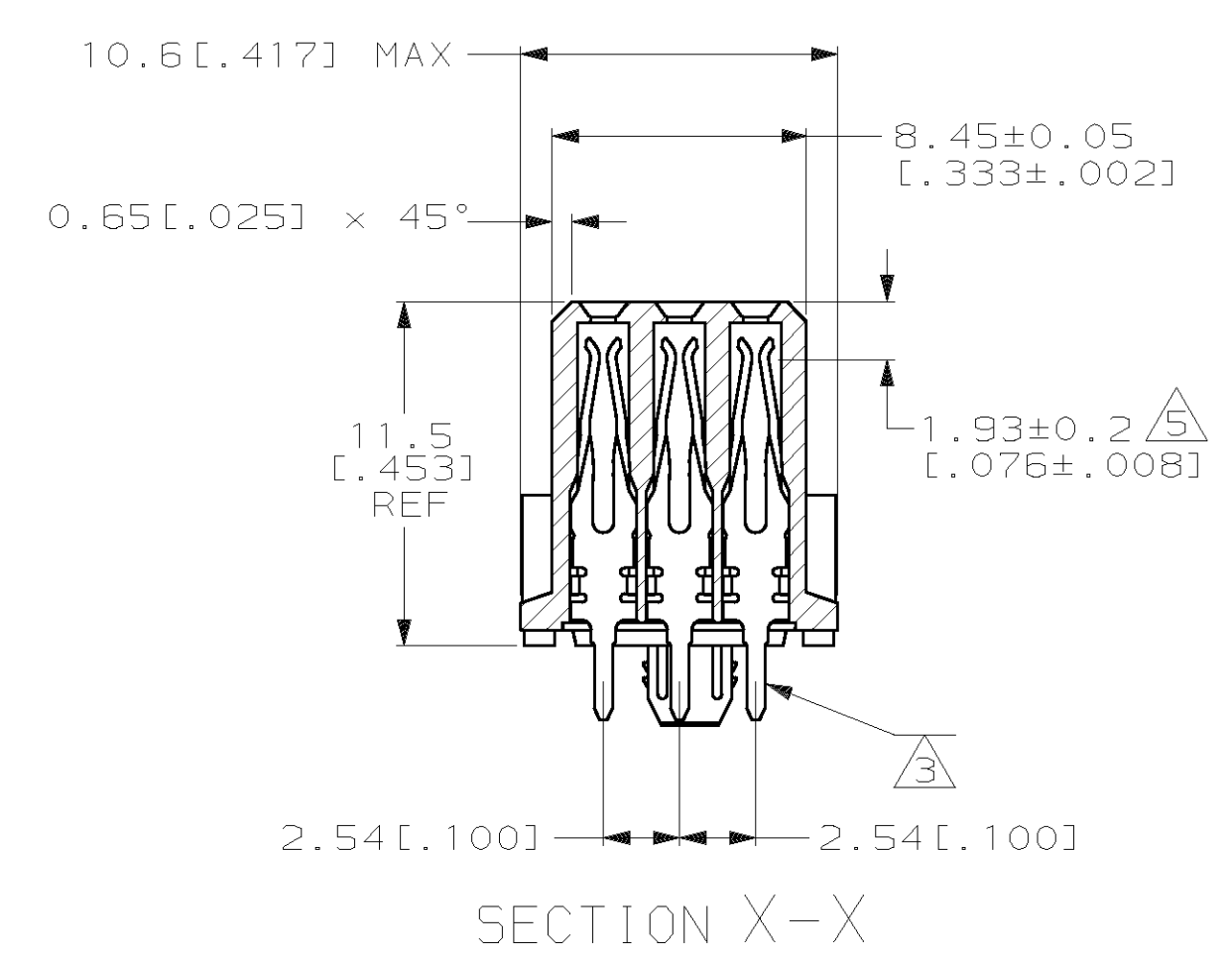
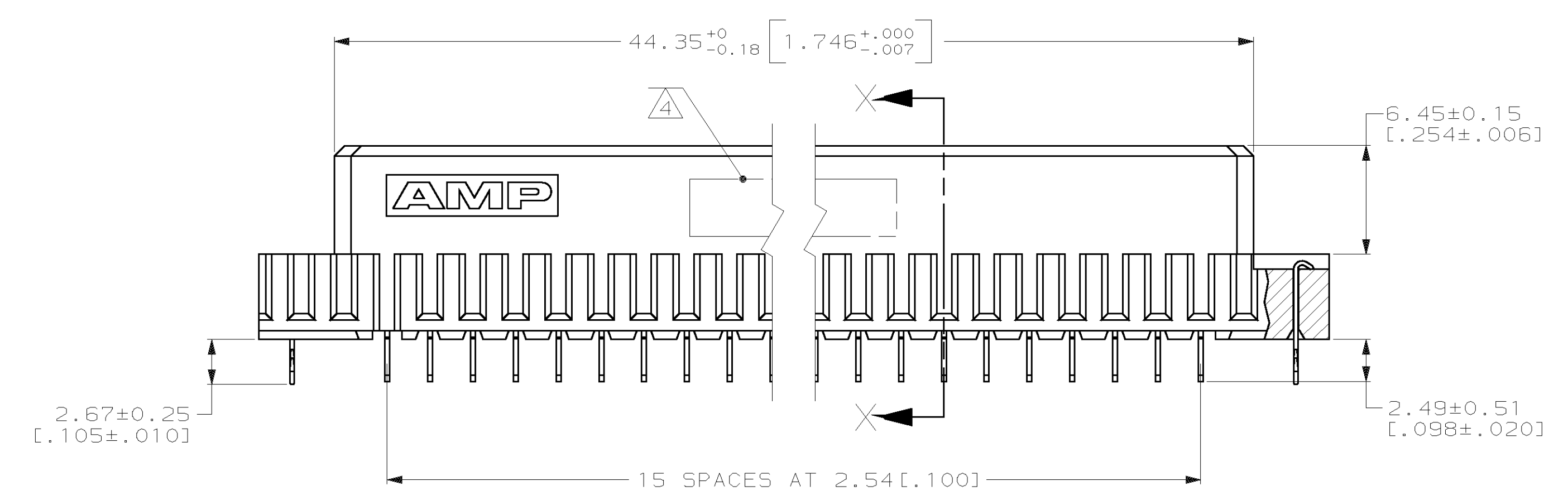
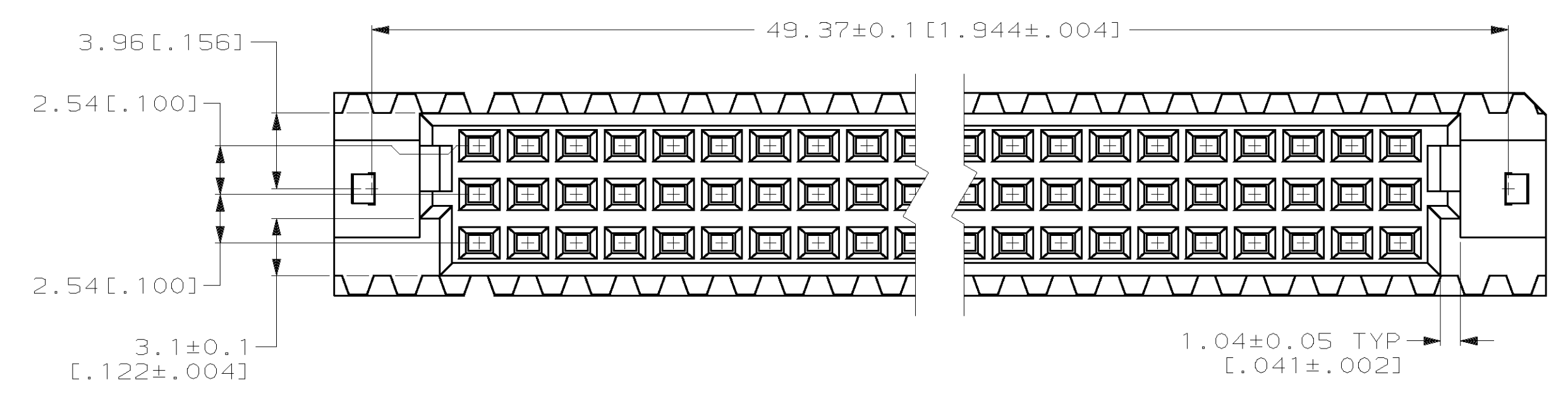


LOC	DIST	P	F	ZONE	LTR	DESCRIPTION	DATE	APPD
AD	25					0 DRAWN; WA5 92-6224-055-1	-	-
						A EC 0010-1241-95	11/1/95	CR
						B EC 0010-1431-95	1/17/96	RAP
						C EC 0010-1491-95	4/1/96	CR
						D REV PER EC 001B-0367-00	04 JAN 01	CR



- ① HOUSING MATERIAL: GLASS-FILLED POLYESTER. COLOR: GRAY.
- ② CONTACT MATERIAL: PHOSPHOR BRONZE.
- ③ CONTACT FINISH: DIN 41612 CLASS 2 IN CONTACT AREA. TIN-LEAD ON POSTS.
- ④ PART NUMBER, DATE CODE IDENTIFICATION, CSA LOGO IN THIS APPROXIMATE AREA.
- ⑤ POINT OF MEASUREMENT FOR GOLD.
- ⑥ RECOMMENDED HOLE SIZE FOR MANUAL APPLICATION OF CONNECTOR ONTO PC BOARD.

SUPERSEDED BY 536397-5
 536397-4
 PART NUMBER

DO NOT SCALE PRINT. UNLESS SPECIFIED DIMENSIONS IN mm [INCHES] TOLERANCES ON:	DR L. BRINER 7/25/92	AMP INCORPORATED Harrisburg, Pa. 17105
1 PLC DEC ± -	CHK R. PATTERSON 7/29/92	
2 PLC DEC ± 0.13 [0.005]	APPD R. PATTERSON 7/29/92	RECEPTACLE ASSEMBLY, EUROCARD, TYPE "1/2C" WITH BOARD-LOCKS
ANGLES ± -	APPD D.C. RUBENDALL 7/29/92	
MATERIAL	PRODUCT SPEC -	SIZE D
HSG ①	APPLICATION SPEC -	FSCM NO 00779
CONT ②	FINISH -	DRAWING NO 536397
CONT ③	WEIGHT -	SCALE 4:1
		SHEET 1 OF 1