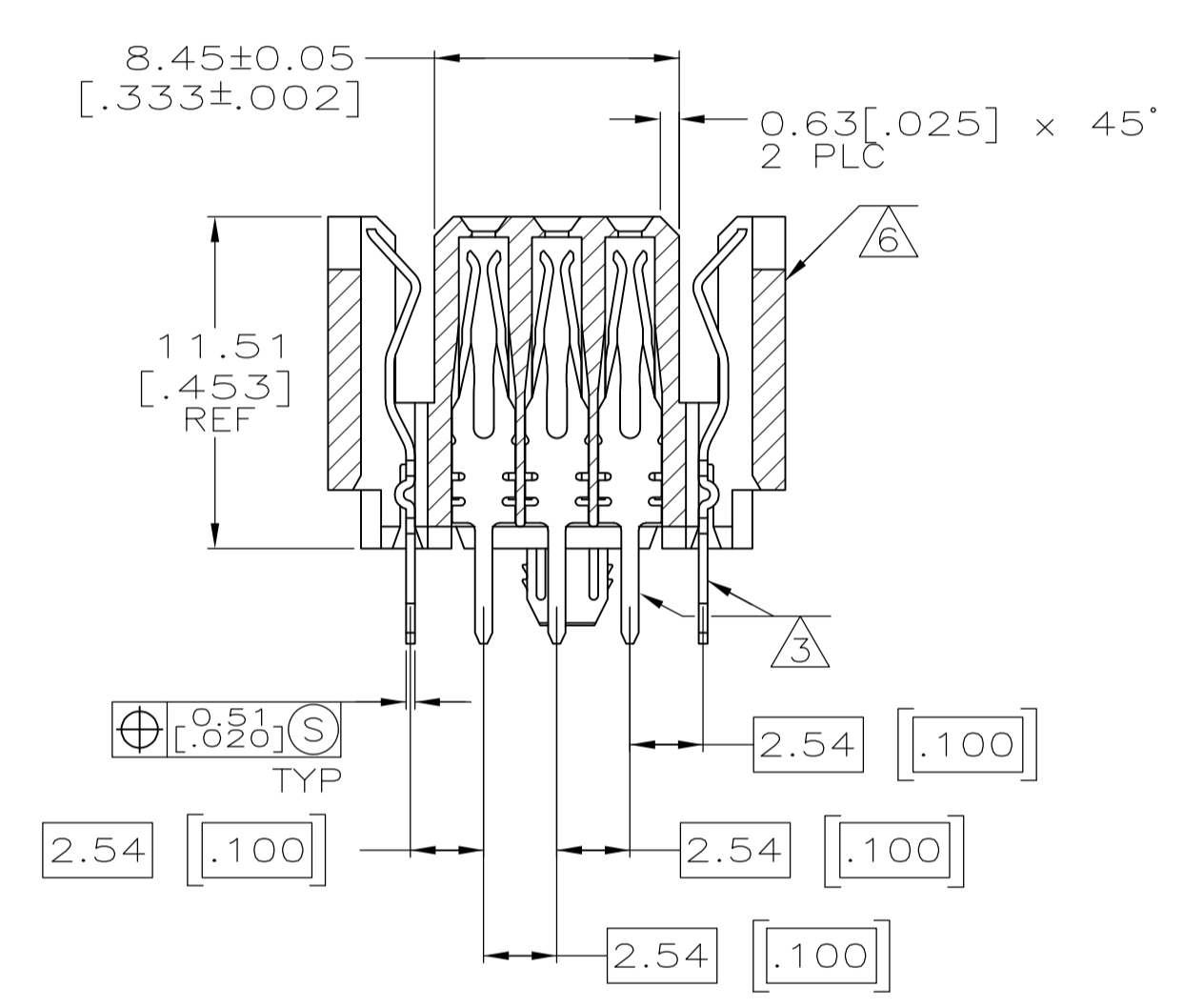
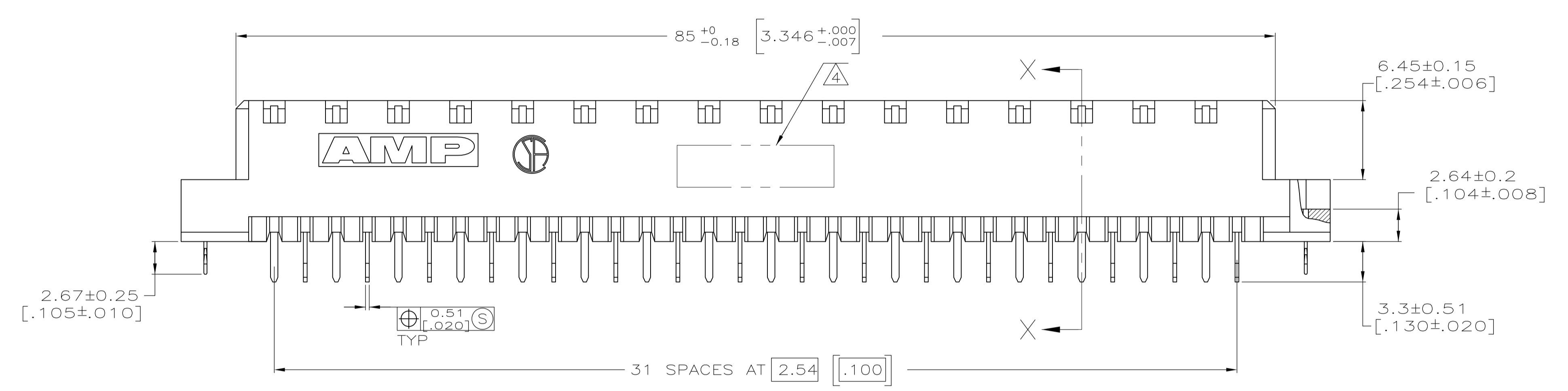
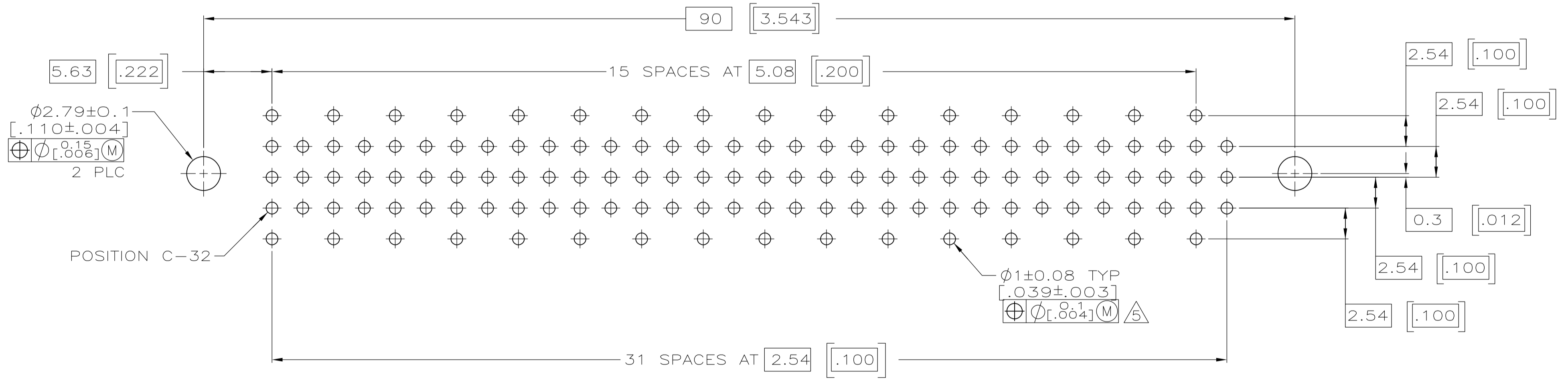


- 1 HOUSING MATERIAL: GLASS-FILLED POLYMER.
- 2 CONTACT MATERIAL: COPPER ALLOY.
- 3 CONTACT FINISH: DIN 41612 CLASS 2 IN CONTACT AREA. TIN PLATE ON TAILS.
- 4 PART NUMBER, DATE CODE, THIS APPROXIMATE AREA.
- 5 RECOMMENDED HOLE SIZE FOR MANUAL APPLICATION OF CONNECTOR ONTO PC BOARD.
- 6 MARKING ON THIS SIDE.



SECTION X-X



PC BOARD LAYOUT

ALL POSITIONS		* * * *	128	5536154-5
POSITIONS LOADED		Y X C B A	NO. OF LOADED POSITIONS	PART NUMBER
		ROWS LOADED		
THIS DRAWING IS A CONTROLLED DOCUMENT.				
DIMENSIONS: mm [INCHES]		TOLERANCES UNLESS OTHERWISE SPECIFIED:		
		0 PLC ± - 1 PLC ± - 2 PLC ± - 3 PLC ± 0.13[.005] 4 PLC ± - ANGLES ± -		
MATERIAL		FINISH		DIN J. POLIGNONE 18APROS CIK A. SHARPE 18APROS APVD A. SHARPE 18APROS PRODUCT SPEC APPLICATION SPEC SIZE CAGE CODE DRAWING NO. WEIGHT CUSTOMER DRAWING
Tyco Electronics Corporation Harrisburg, PA 17105-3608		NAME ASSEMBLY, RECEPTACLE, ENHANCED, TYPE C, EUROCARD, 5-ROW, SOLDER, 3.30[.130]/3.43[.135] WITH BOARD-LOCKS		SCALE 4:1 SHEET 1 OF 1 REV 01