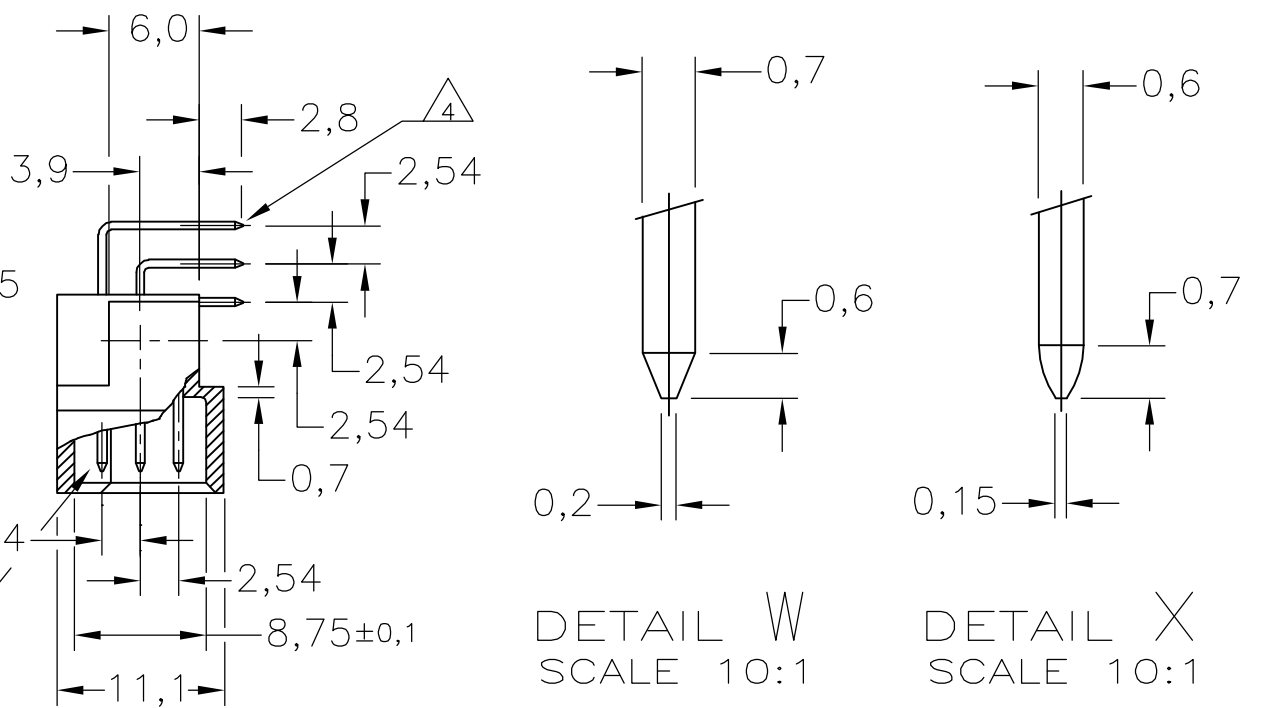
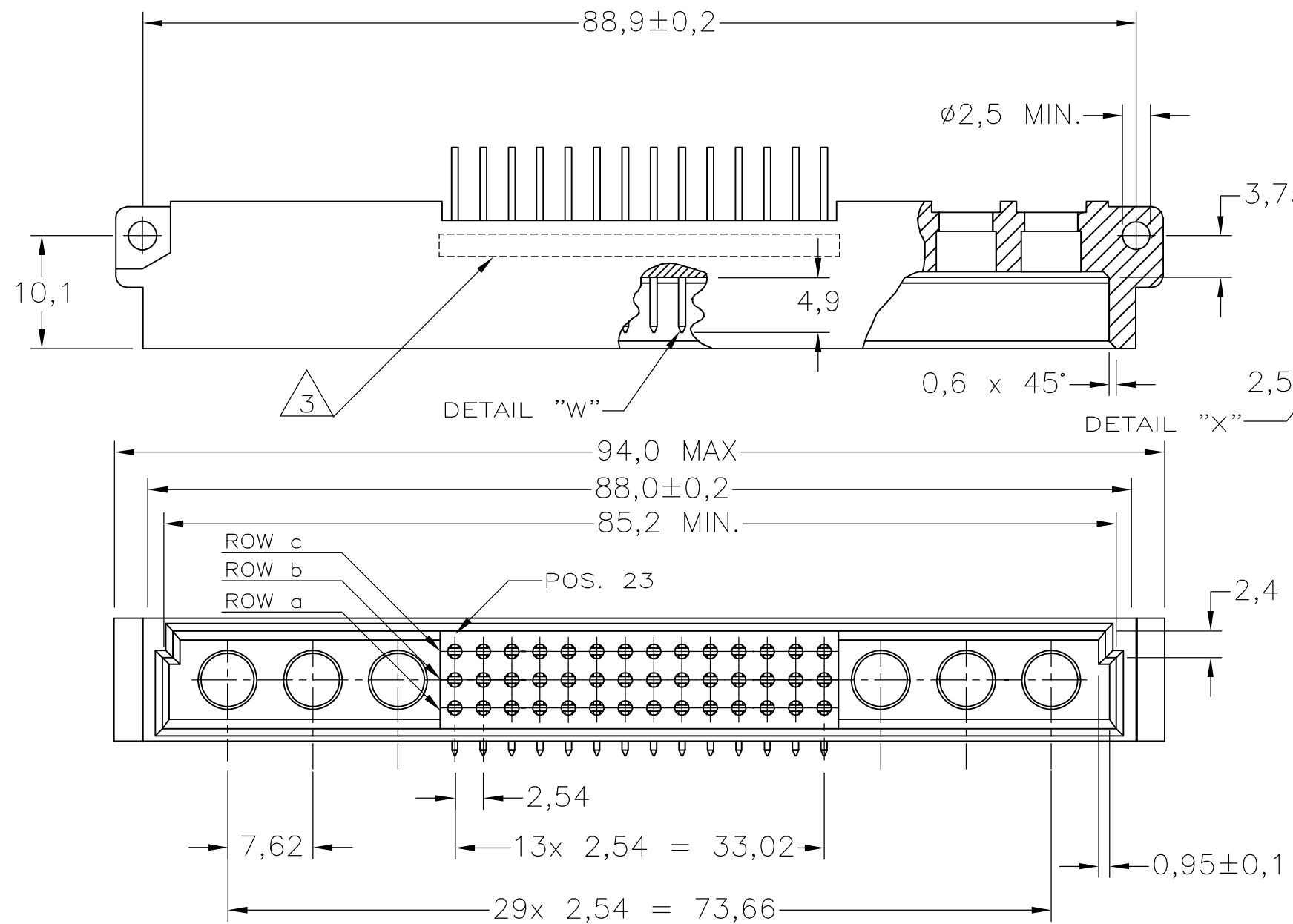


THIS DRAWING IS UNPUBLISHED. RELEASED FOR PUBLICATION
 © COPYRIGHT BY TYCO ELECTRONICS CORPORATION. ALL RIGHTS RESERVED.

LOC	DIST	REVISIONS					
		P	LTR	DESCRIPTION	DATE	DWN	APVD
H	-		A	first issue	dec 2005	MO	JB
			-	-	-	-	-



ROW	abc	1-4	5-19	20-23	24-28	29-32
a			XXXXXXXXXXXXXXXXXX			
b			XXXXXXXXXXXXXXXXXX			
c			XXXXXXXXXXXXXXXXXX			
POS		32 31 30 29 28 27 26 25 24 23 22 21 20 19 18 17 16 15 14 13 12 11 10 9 8 7 6 5 4 3 2 1				

AN ASTERISK „X” DENOTES A SIGNAL CONTACT.
 AN ASTERISK „O” DENOTES A POWER CAVITY.

- NOTES:**
- 1 MATERIAL :
 - HOUSING : GLASSFILLED POLYESTER (GREY).
 - CONTACTS: BRASS.
 - 2 PLATING CONTACT :
 -4 : 0,8µm Au OVER 1,25µm Ni AT CONTACT AREA.
 ON SOLDER POST 2,54µm Sn OVER 1,25µm Ni
 - 3 CONNECTOR PRINTED WITH PARTNUMBER AND DATE CODE.
 - 4 SOLDER POSTS SUITABLE FOR P.C.B. HOLES
 0,8 ±0,05 OR 1,0 ±0,1 DIA.

SEE NOTE 2	SEE NOTE 1	5216977-4
FINISH	MATERIAL	PART NUMBER

THIS DRAWING IS A CONTROLLED DOCUMENT.		DWN MO	dec 2005	tyco Electronics	Tyco Electronics Corporation 's-Hertogenbosch, The Netherlands.		
DIMENSIONS: mm		CHK MO			NAME 42 POS. DIN 41612 TYPE M MALE SOLDER CONNECTOR		
TOLERANCES UNLESS OTHERWISE SPECIFIED:		APVD JB		PRODUCT SPEC			
0 PLC ± -		APPLICATION SPEC		SIZE			
1 PLC ± 0,1		WEIGHT		CAGE CODE		DRAWING NO	
2 PLC ± 0,05		CUSTOMER DRAWING		A3 00779		G=5216977	
3 PLC ± -		SCALE		SHEET		OF	
4 PLC ± -		2:1		1		1	
ANGLES ± -		REV		A			
FINISH							