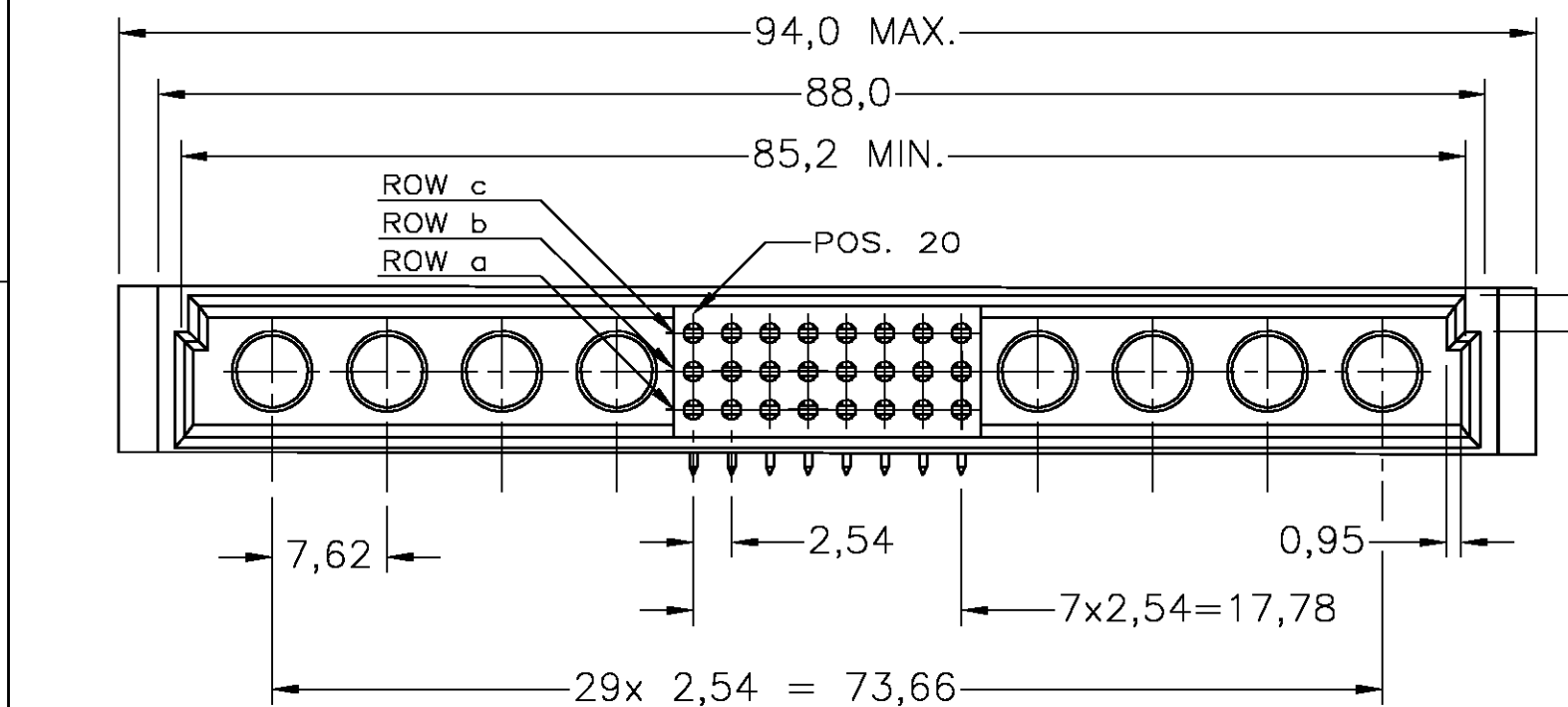
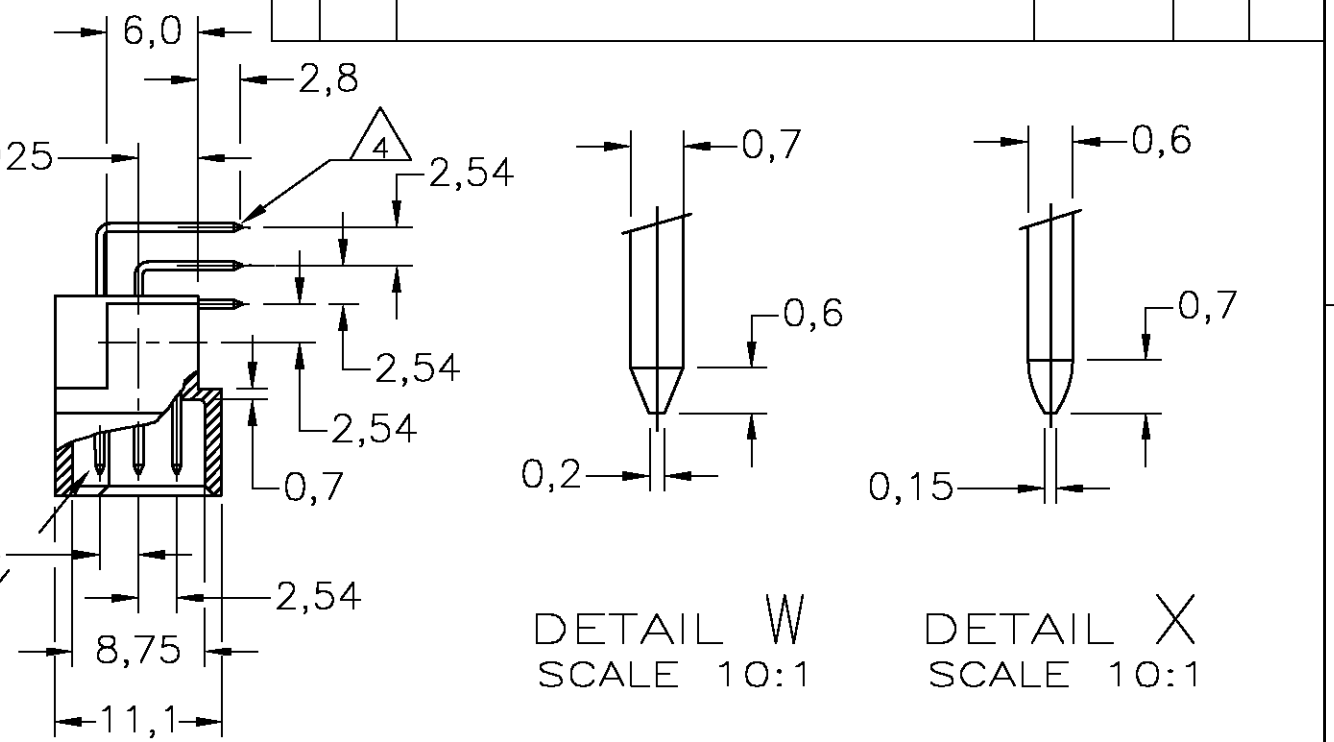
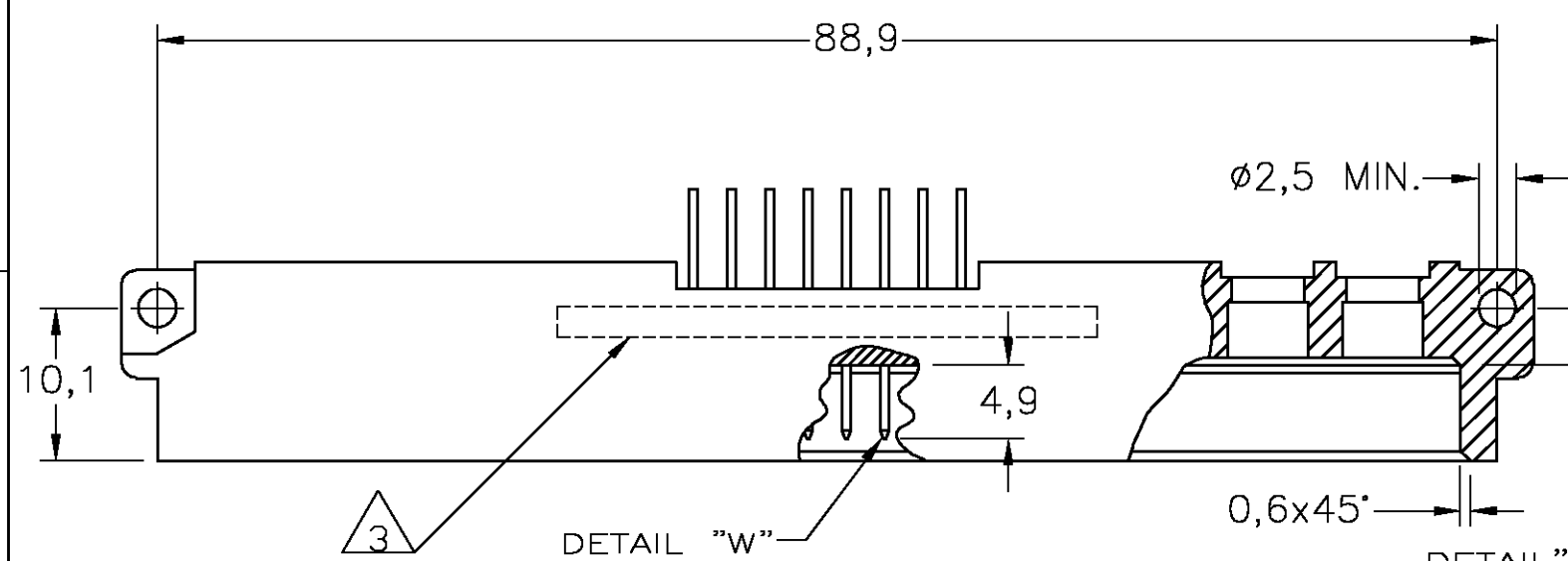


THIS DRAWING IS UNPUBLISHED. RELEASED FOR PUBLICATION
 © COPYRIGHT - BY TYCO ELECTRONICS CORPORATION. ALL RIGHTS RESERVED.

LOC	DIST	REVISIONS				
P	LTR	DESCRIPTION	DATE	DWN	APVD	
H	-	A	first issue	02.06.06	MO	-



ROW	a	b	c																													
abc	o	o	o	o	x	x	x	x	x	x	x	x	x	x	x	x	x	x	x	x	x	x	x	x	x	x	x	o	o	o	o	
POS	32	31	30	29	28	27	26	25	24	23	22	21	20	19	18	17	16	15	14	13	12	11	10	9	8	7	6	5	4	3	2	1

AN ASTERISK „X” DENOTES A SIGNAL CONTACT.
 AN ASTERISK „O” DENOTES A POWER CAVITY.

- NOTES:**
- ① MATERIAL :
 - HOUSING : GLASSFILLED POLYESTER (GREY).
 - CONTACTS: BRASS.
 - ② PLATING CONTACT :
 -4 : 0,8 μm Au OVER 1,25 μm Ni AT CONTACT AREA.
 ON SOLDER POST 2,54 μm Sn OVER 1,25 μm Ni.
 - ③ CONNECTOR PRINTED WITH PARTNUMBER AND DATE CODE.
 - ④ SOLDER POSTS SUITABLE FOR P.C.B. HOLES
 0,8 ±0,05 OR 1,0 ±0,1 DIA.

remark:
 pn 5216698-4 complies with the European guideline towards RoHS

SEE NOTE ②	SEE NOTE ①	5216698-4
FINISH	MATERIAL	PARTNUMBER

THIS DRAWING IS A CONTROLLED DOCUMENT.		DWN M.A.H. Oppers	02.06.06	tyco Electronics		Tyco Electronics Corporation 's-Hertogenbosch, The Netherlands.			
DIMENSIONS: mm		CHK MO	02.06.06			NAME 24 POS. DIN 41612 TYPE M MALE SOLDER CONNECTOR			
TOLERANCES UNLESS OTHERWISE SPECIFIED:		APVD -	PRODUCT SPEC -	APPLICATION SPEC -		SIZE	CAGE CODE	DRAWING NO	RESTRICTED TO
0 PLC ± - 1 PLC ± - 2 PLC ± - 3 PLC ± - 4 PLC ± - ANGLES ± -		WEIGHT -	A3 00779		C-5216698		-		
MATERIAL -		FINISH -		CUSTOMER DRAWING		SCALE 2:1	SHEET 1	OF 1	REV A