

4

3

2

1

THIS DRAWING IS UNPUBLISHED.

RELEASED FOR PUBLICATION

© COPYRIGHT - BY TYCO ELECTRONICS CORPORATION.

ALL RIGHTS RESERVED.

LOC

DIST

REVISIONS

U

-

P

LTR

DESCRIPTION

DATE

DWN

APVD

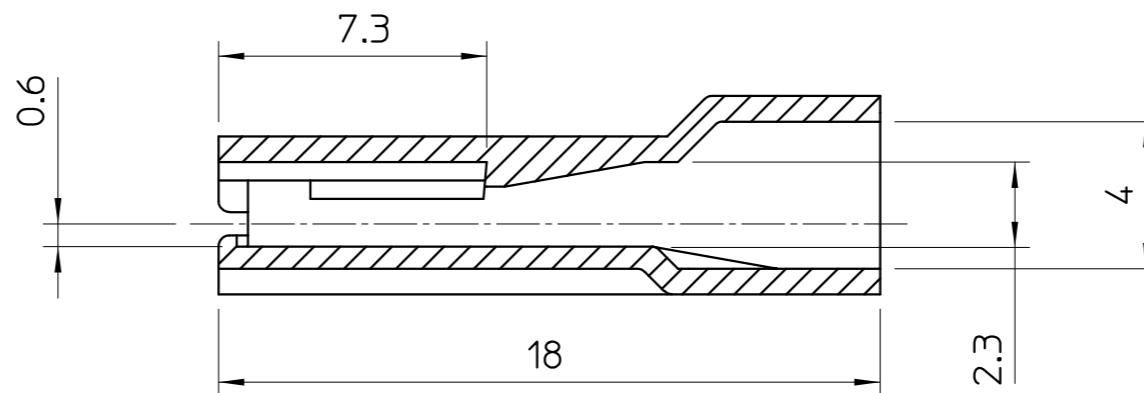
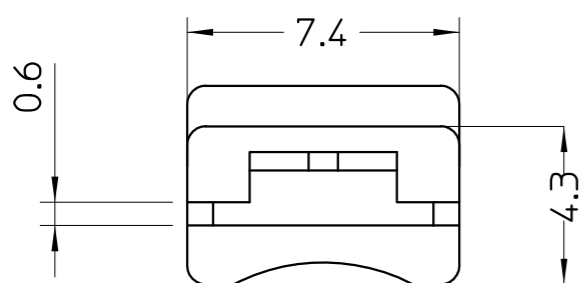
-

-

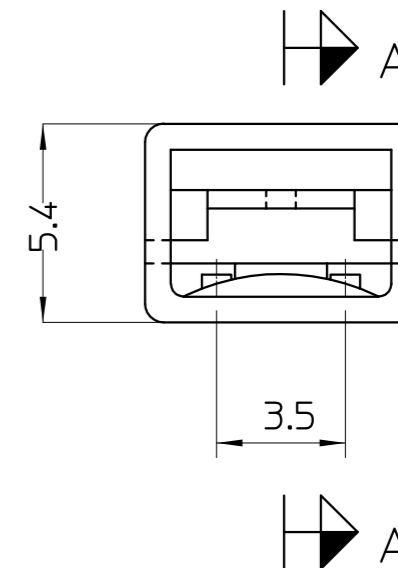
-

-

-



SECTION A-A



NOTES:

INSULATOR DESIGNED FOR USE WITH
 4.8 QC RECEPTACLE TYCO P/N 1627099
 (UTILUX PART No. H2590)

NYLON 66 GF HEAT STABILISED	INSULATOR, POST-FIT H2801B	1-1627121-2
NYLON 66 NATURAL	INSULATOR, POST-FIT H2801	1-1627121-1
MATERIAL DESC.	DESCRIPTION	PART No.

THIS DRAWING IS A CONTROLLED DOCUMENT.		DWN: W.RIEDE 25.4.06	Tyco Electronics Corporation AUSTRALIA			
ALL DIMENSIONS IN mm:		CHK: H.THAI 01.05.06				
	TOLERANCES UNLESS OTHERWISE SPECIFIED:	APVD: W.RIEDE 01.06.06	NAME: INSULATOR, POST-FIT			
	DIMENSION (mm) TOLERANCE(+/-mm)	PRODUCT SPEC:				
	LESS THAN 10 0.4	-	SIZE	CAGE CODE	DRAWING NO	RESTRICTED TO
	OVER 10 TO 30 0.5	APPLICATION SPEC:	A3		© 1627121	-
	OVER 30 TO 80 0.7	-	CUSTOMER DRAWING			
	OVER 80 TO 250 1.0	WEIGHT:	SCALE	SHEET	OF	REV
	ANGLES ±2°	-	5:1	1	1	0
MATERIAL	FINISH					
-	-					

THIS INFORMATION IS CONFIDENTIAL AND PROPRIETARY TO TYCO ELECTRONICS CORPORATION AND ITS WORLDWIDE SUBSIDIARIES AND AFFILIATES. IT MAY NOT BE DISCLOSED TO ANYONE OTHER THAN TYCO ELECTRONICS PERSONNEL WITHOUT WRITTEN PERMISSION FROM TYCO ELECTRONICS CORPORATION, HARRISBURG, PENNSYLVANIA, USA.