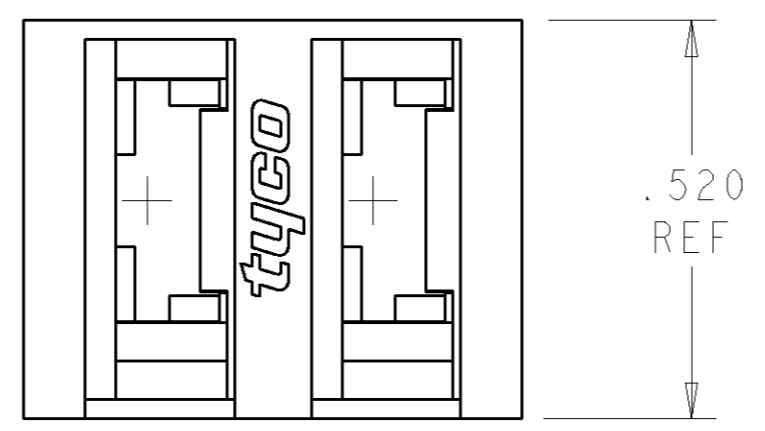
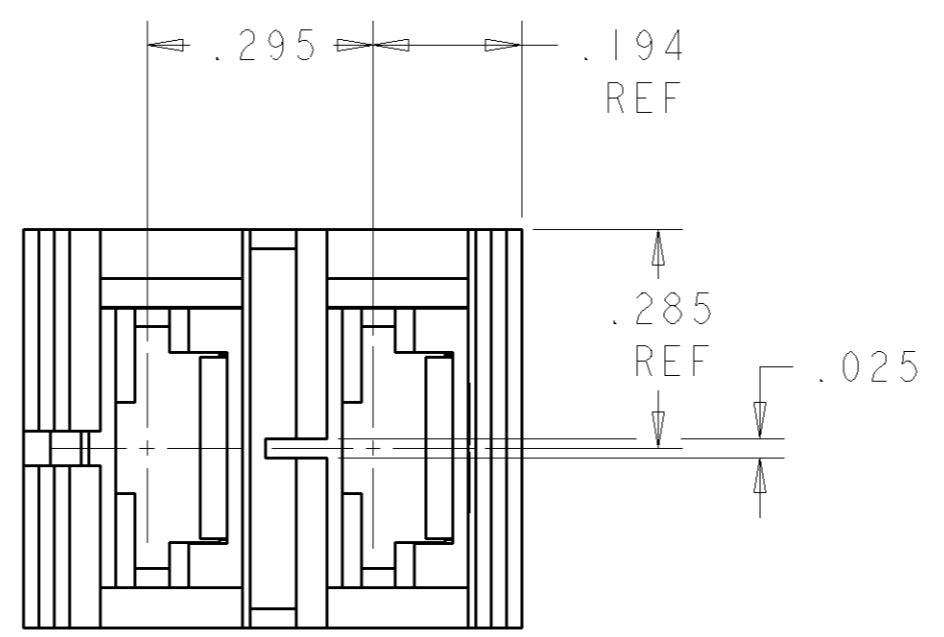
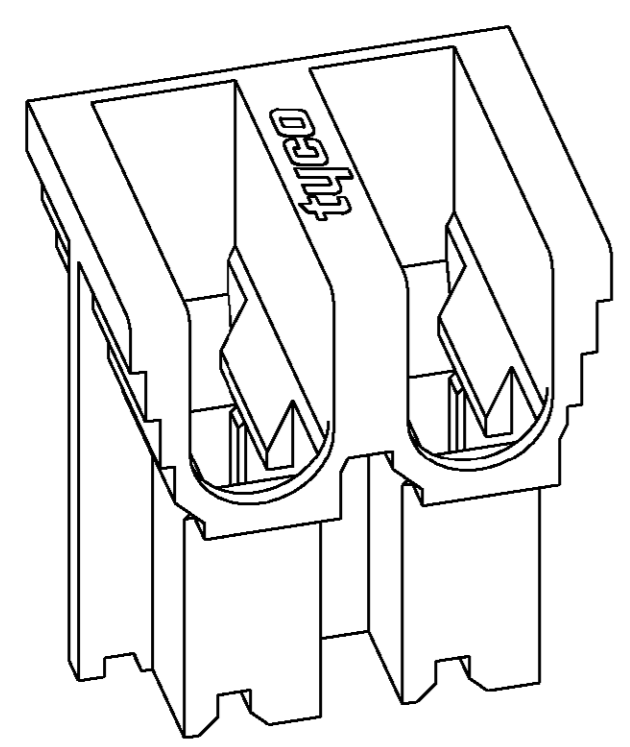
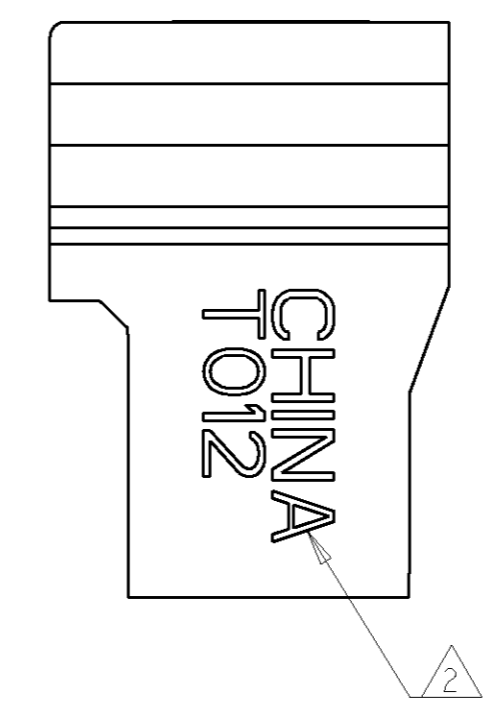
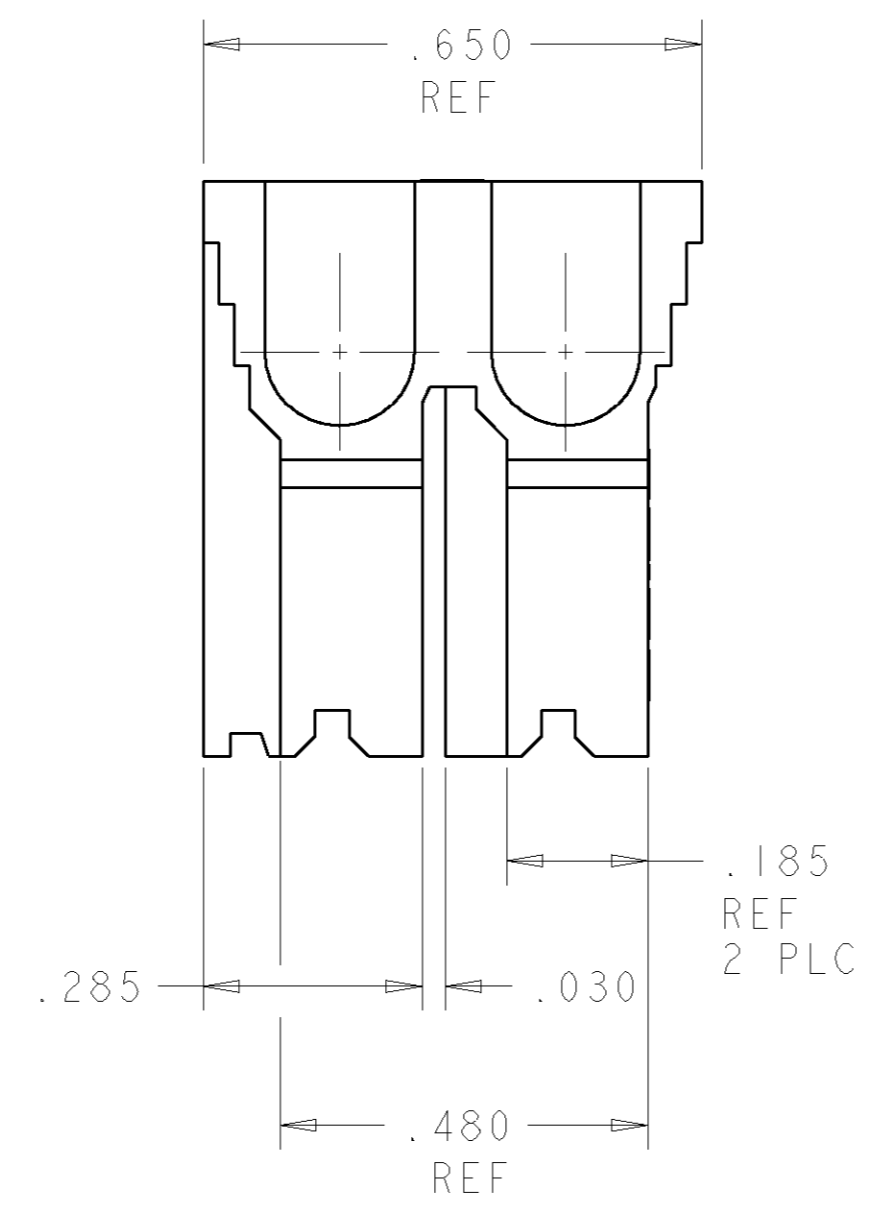
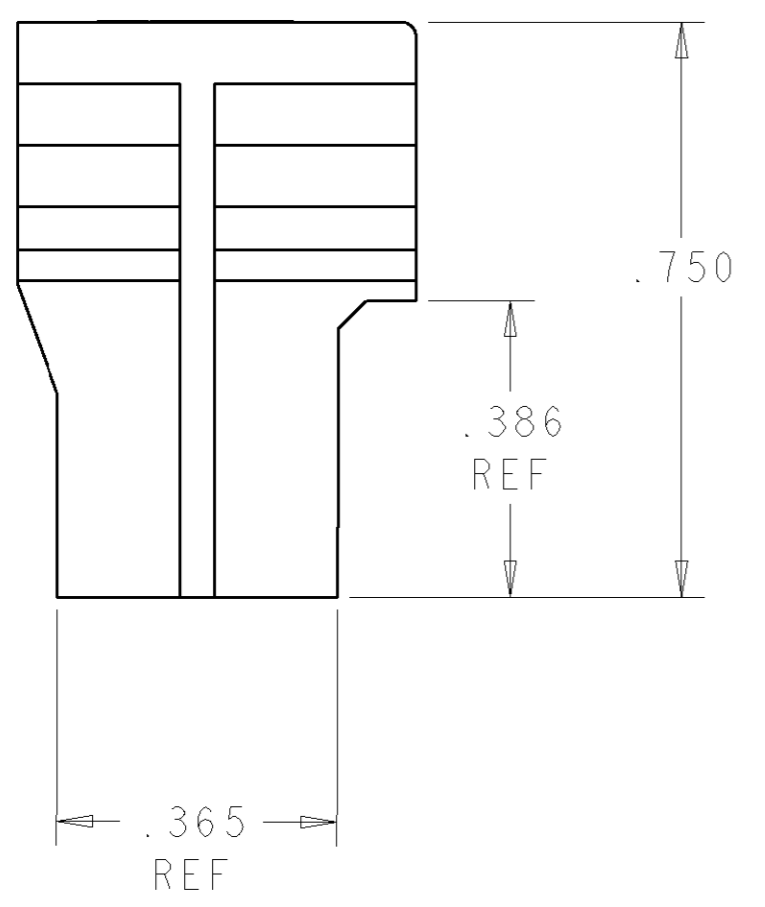


THIS DRAWING IS UNPUBLISHED. RELEASED FOR PUBLICATION 20
 © COPYRIGHT 20 BY TYCO ELECTRONICS CORPORATION. ALL RIGHTS RESERVED.

LOC	DIST	REVISIONS					
		P	LTR	DESCRIPTION	DATE	DWN	APVD
AF	50		K	REV PER 0G3A-0469-04	21JUN2004	RCF	PD
			L	REV PER 0G3A-0473-04	21JUN2004	RCF	PD



1. FOR USE WITH TYCO TERMINALS 63445-1 AND 63445-2
 2. COUNTRY OF ORIGIN AND VENDOR CODE.



NATURAL	6/6 NYLON	521663-1
COLOR	MATERIAL	PART NUMBER

<small>THIS DRAWING IS A CONTROLLED DOCUMENT FOR TYCO ELECTRONICS CORPORATION. IT IS SUBJECT TO CHANGE AND THE CONTROLLING ENGINEERING ORGANIZATION SHOULD BE CONTACTED FOR THE LATEST REVISION.</small>		DWN	20AUG2003	Tyco Electronics Harrisburg, PA 17105-3608			
DIMENSIONS: INCHES		CHK	20AUG2003				
		APVD	20AUG2003				
TOLERANCES UNLESS OTHERWISE SPECIFIED:		NAME	HOUSING, RECP, FASTON, FLAG, .250 SERIES				
0 PLC ± 1 PLC ± 2 PLC ± 3 PLC ±.010 4 PLC ± ANGLES ±2° FINISH		PRODUCT SPEC	-	SIZE	CAGE CODE	DRAWING NO	RESTRICTED TO
SEE TABLE		APPLICATION SPEC	-	A2	00779	521663	-
		WEIGHT	-	CUSTOMER DRAWING		SCALE	SHEET OF REV
						4.1	1 OF 1