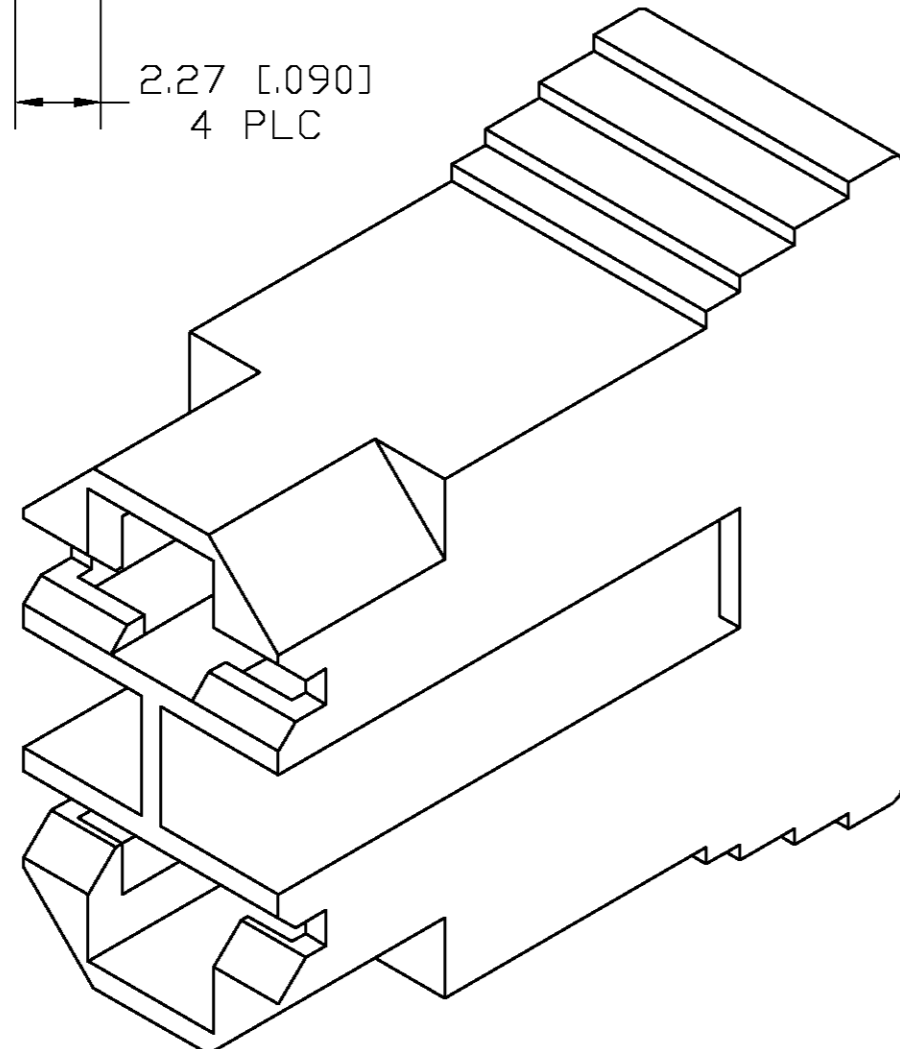
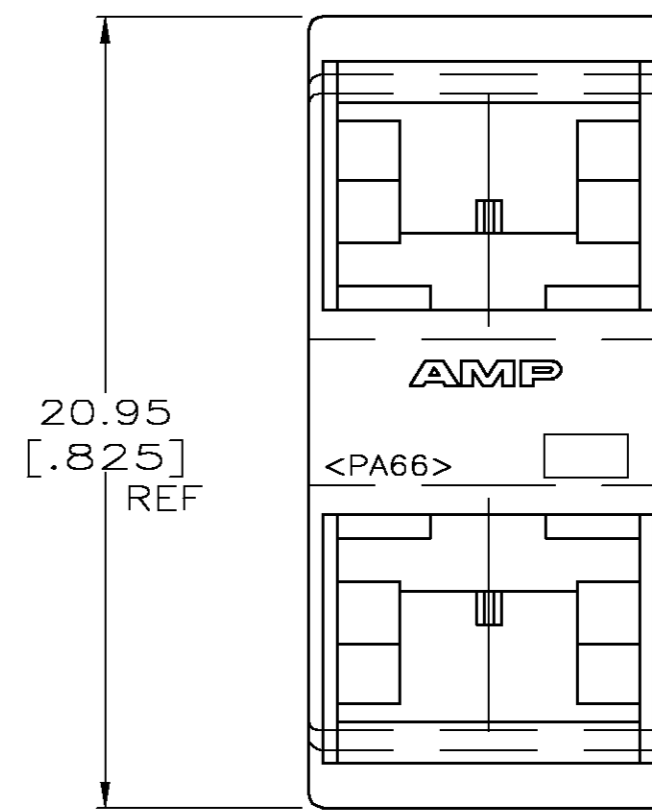
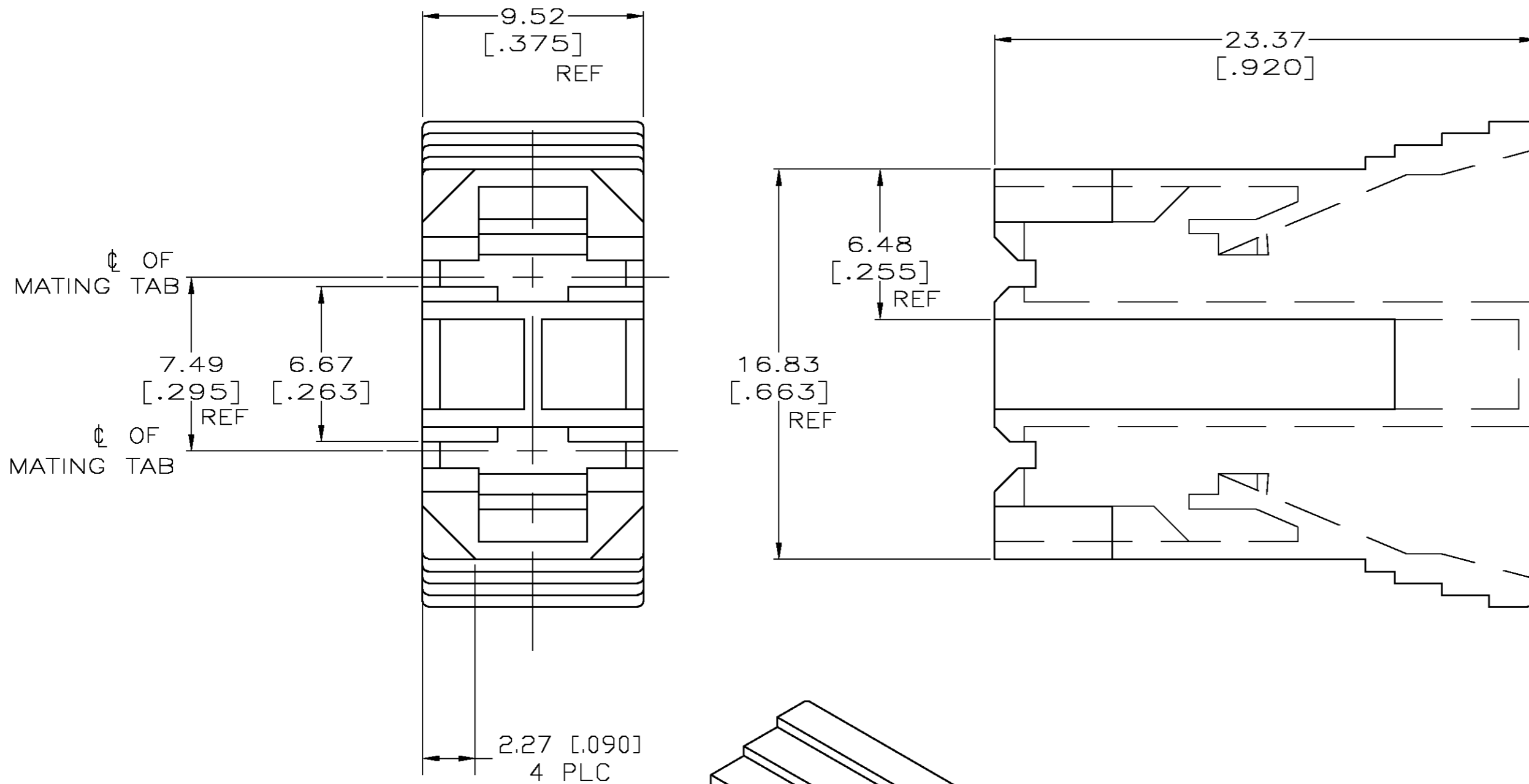


THIS DRAWING IS UNPUBLISHED. RELEASED FOR PUBLICATION
 © COPYRIGHT BY TYCO ELECTRONICS CORPORATION. ALL RIGHTS RESERVED.

LOC		DIST		REVISIONS					
AF		50		P	LTR	DESCRIPTION	DATE	DWN	APVD
				B		REL PER 0G3A-0754-03	09DEC03	JR	PD

2 WILL ACCEPT A MAX WIRE SIZE OF #14 AWG, AND A 4.32 [.170] MAX INSULATION DIA.
 3 PREPRODUCTION - FASR REQ



3D VIEW

3 521664-1
 PART NO.

THIS DRAWING IS A CONTROLLED DOCUMENT.		DWN	jr ruth	20AUG03	 Tyco Electronics Corporation Harrisburg, PA 17105
DIMENSIONS: MM		CHK	MS FEHER	20AUG03	
TOLERANCES UNLESS OTHERWISE SPECIFIED:		APVD	P DESANTIS	20AUG03	
0 PLC ± - 1 PLC ± - 2 PLC ± 0.25 [.010] 3 PLC ± - 4 PLC ± - ANGLES ± - FINISH NATURAL		NAME		PRODUCT SPEC	
MATERIAL 6/6 NYLON		APPLICATION SPEC		SIZE	A2
		WEIGHT		CAGE CODE	00779
		CUSTOMER DRAWING		DRAWING NO	C=521664
				RESTRICTED TO	-
				SCALE	5:1
				SHEET	1 OF 1
				REV	B

521664