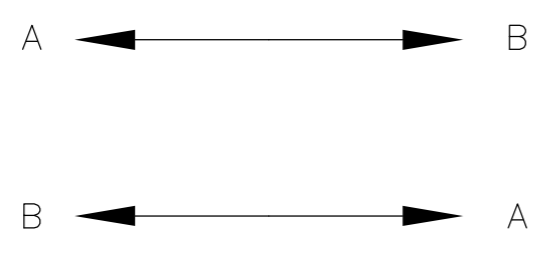
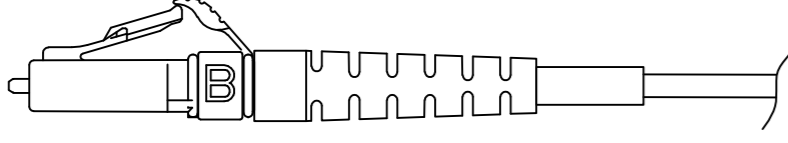
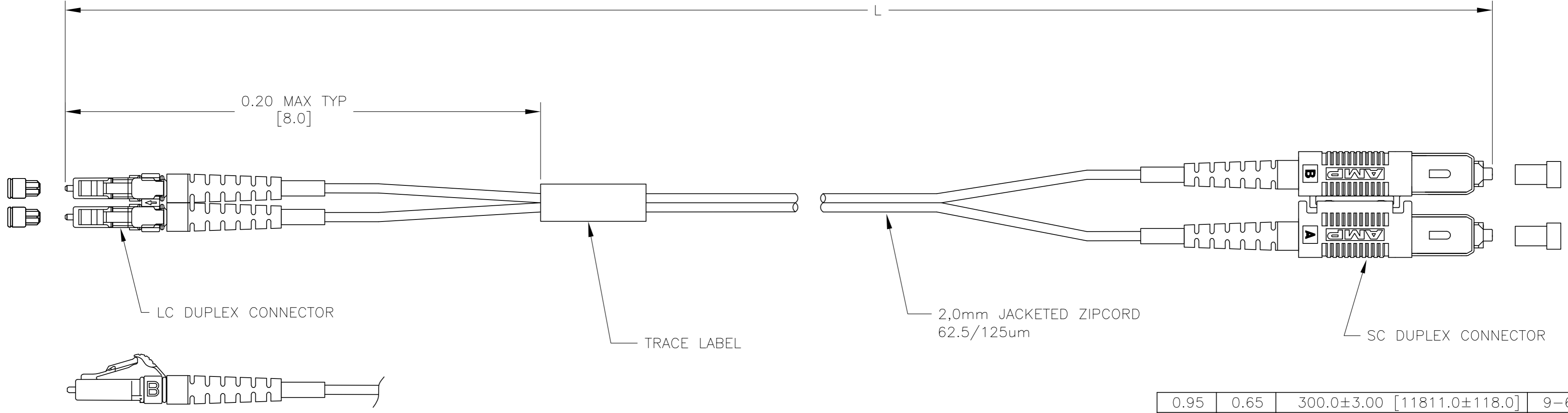


THIS DRAWING IS UNPUBLISHED. RELEASED FOR PUBLICATION  
 © COPYRIGHT BY TYCO ELECTRONICS CORPORATION. ALL RIGHTS RESERVED.

LOC	DIST	REVISIONS			
P	LTR	DESCRIPTION	DATE	DWN	APVD
CE	16	B	REVISED PER ECR-08-003592	12FEB08	JWD JD

- SEE TABLE FOR MAXIMUM CONNECTOR INSERTION LOSS AT 1300nm
- PRODUCT AND PROCESSING MUST MEET REQUIREMENTS OF TYCO ELECTRONICS STANDARD 230-702



FIBER PATH DETAIL

SC	LC	L	PART NUMBER
0.95	0.65	300.0±3.00 [11811.0±118.0]	9-6374615-9
0.65	0.35	100.0±1.00 [3937.0±39.0]	9-6374615-8
0.59	0.29	60.00±0.60 [2362.0±24.0]	6-6374615-0
0.55	0.25	30.00±0.30 [1181.10±11.81]	3-6374615-0
0.53	0.23	25.0±0.30 [984.0±12.0]	2-6374615-5
0.53	0.23	20.00±0.30 [787.0±12.0]	2-6374615-0
0.50	0.20	15±0.15 [590.6±6.0]	1-6374615-5
0.50	0.20	0.50±0.03 [19.7±1.0]	1-6374615-2
0.50	0.20	10.67±0.15 [420.0±6.0]	1-6374615-1
0.50	0.20	10±0.15 [393.7±6.0]	1-6374615-0
0.50	0.20	9.00±0.15 [354.3±6.0]	6374615-9
0.50	0.20	8.00±0.15 [315.0±6.0]	6374615-8
0.50	0.20	7.00±0.08 [275.6±3.0]	6374615-7
0.50	0.20	6.00±0.08 [236.2±3.0]	6374615-6
0.50	0.20	5.00±0.08 [196.9±3.0]	6374615-5
0.50	0.20	4.00±0.08 [157.5±3.0]	6374615-4
0.50	0.20	3.00±0.05 [122.8±2.0]	6374615-3
0.50	0.20	2.00±0.05 [78.7±2.0]	6374615-2
0.50	0.20	1.00±0.05 [39.4±2.0]	6374615-1
SC	LC	L	PART NUMBER
△ MAX IL (dB)			

THIS DRAWING IS A CONTROLLED DOCUMENT.

DWN	C.S.VASU	15SEP05
CHK	J.DUNCAN	15SEP05
APVD	J.DUNCAN	15SEP05
PRODUCT SPEC		
APPLICATION SPEC		
WEIGHT	-	
CUSTOMER DRAWING		

**AMP** Tyco Electronics Corporation  
Harrisburg Pa, 17105-3608

NAME: CABLE ASSEMBLY, FIBER OPTIC LC TO SC DUPLEX, 62.5 /125

SIZE	CAGE CODE	DRAWING NO	RESTRICTED TO
A2	00779	C=6374615	-
SCALE	SHEET	OF	REV
NTS	1	1	B