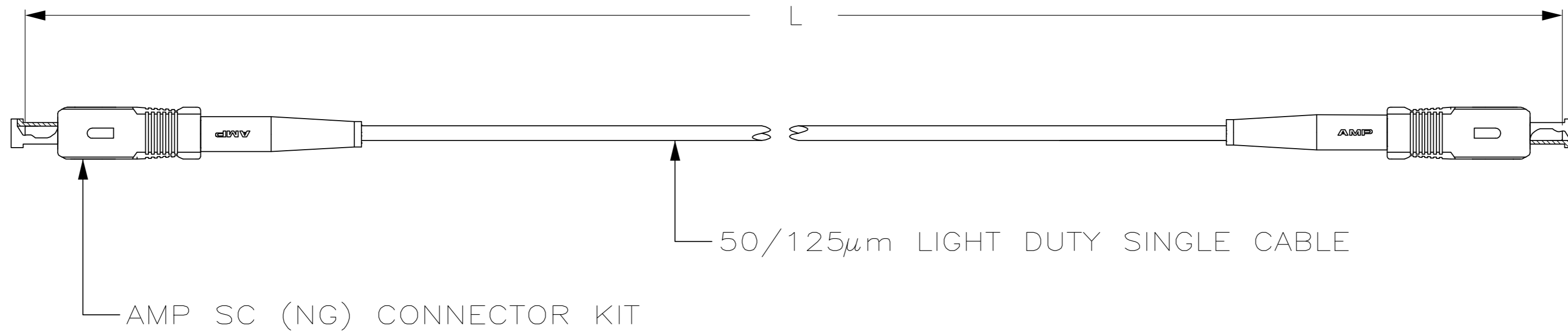


THIS DRAWING IS UNPUBLISHED. RELEASED FOR PUBLICATION
 © COPYRIGHT BY TYCO ELECTRONICS CORPORATION. ALL RIGHTS RESERVED.

LOC	DIST	REVISIONS			
P	LTR	DESCRIPTION	DATE	DWN	APVD
CE	16	A	RELEASED PER NPR	02 FEB 06	CSV JD

1. DIMENSIONS IN [] ARE IN INCHES.
2. PRODUCT AND PROCESSING MUST MEET REQUIREMENTS OF THE TYCO ELECTRONICS STANDARD 230-702



25±0.30 [984±12]	1-5504968-1
55±0.6 [2165±24]	1-5504968-0
30±0.3 [1181±12]	5504968-9
60±0.6 [2362±24]	5504968-8
20±0.3 [787±12]	5504968-7
15±0.15 [591±6]	5504968-6
10±0.15 [394±6]	5504968-5
5±0.08 [197±3]	5504968-4
3±0.05 [118±2]	5504968-3
2±0.05 [79±2]	5504968-2
1±0.05 [39±2]	5504968-1
L	PART NUMBER

THIS DRAWING IS A CONTROLLED DOCUMENT.		DWN	C.S.VASU	02 FEB 06	 Tyco Electronics Corporation Harrisburg, PA 17105-3608														
DIMENSIONS: METERS [INCHES]		CHK	J.DUNCAN	02 FEB 06															
TOLERANCES UNLESS OTHERWISE SPECIFIED:		APVD	J.DUNCAN	02 FEB 06															
<table border="0"> <tr><td>0 PLC</td><td>± -</td></tr> <tr><td>1 PLC</td><td>± -</td></tr> <tr><td>2 PLC</td><td>± -</td></tr> <tr><td>3 PLC</td><td>± -</td></tr> <tr><td>4 PLC</td><td>± -</td></tr> <tr><td>ANGLES</td><td>± -</td></tr> <tr><td>FINISH</td><td>-</td></tr> </table>		0 PLC	± -	1 PLC		± -	2 PLC	± -	3 PLC	± -	4 PLC	± -	ANGLES	± -	FINISH	-	PRODUCT SPEC	NAME	
0 PLC	± -																		
1 PLC	± -																		
2 PLC	± -																		
3 PLC	± -																		
4 PLC	± -																		
ANGLES	± -																		
FINISH	-																		
MATERIAL		APPLICATION SPEC	SIZE	CAGE CODE	DRAWING NO	RESTRICTED TO													
-		WEIGHT	-	A2	00779	C=5504968	-												
CUSTOMER DRAWING			SCALE	NTS	SHEET	1 of 1	REV												
							A												

5504968