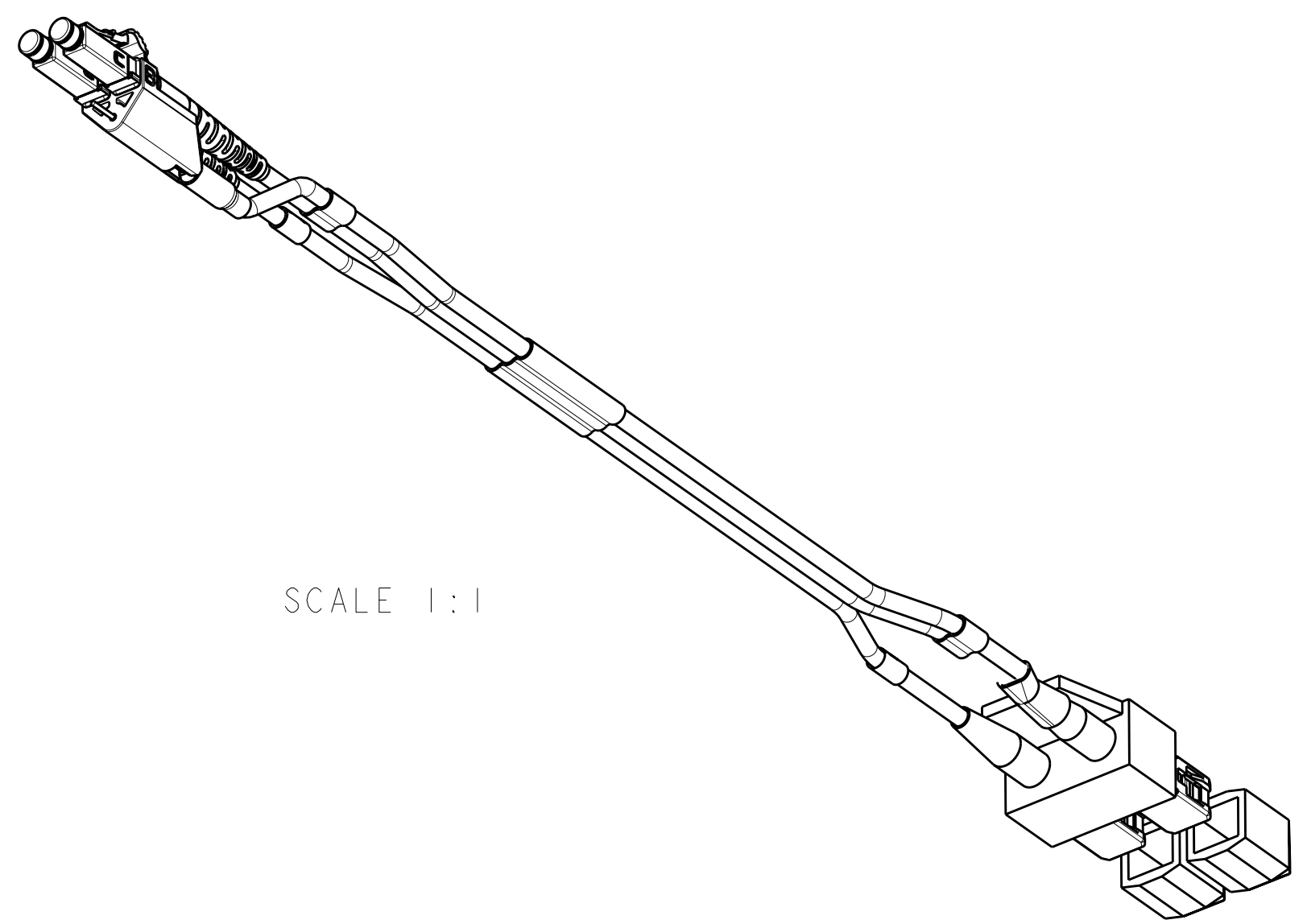
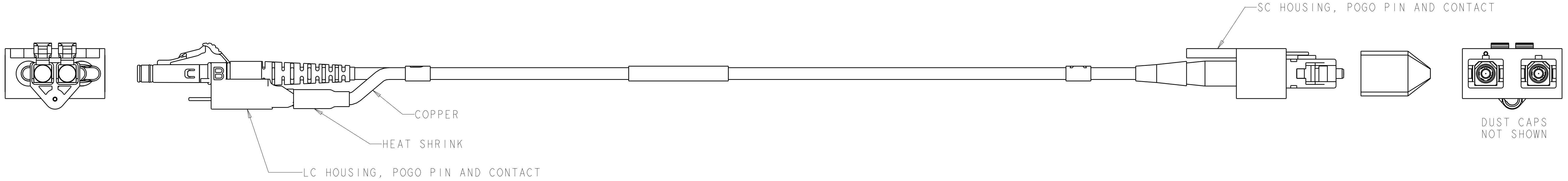
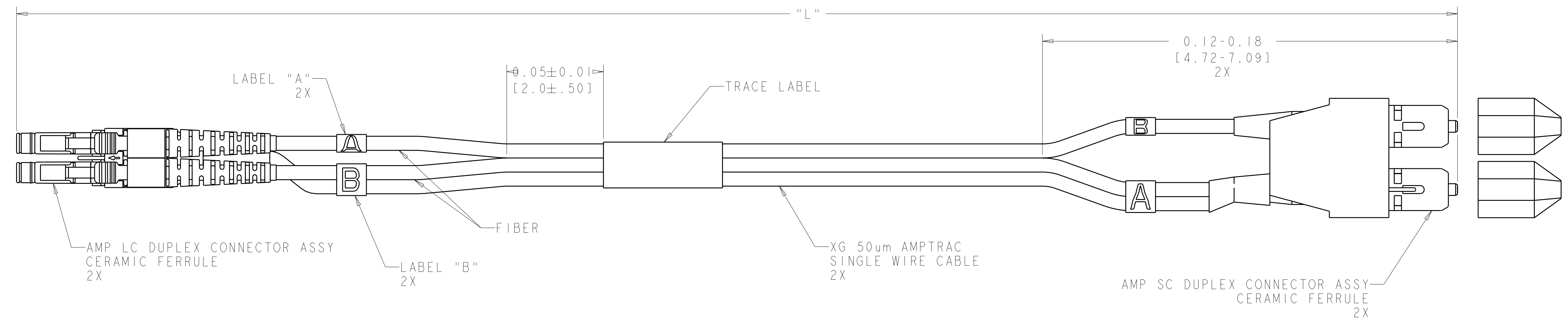


CONNECTOR LOSS (dB)	"L" METERS [INCHES]	PART NUMBER
.53	20.0±.20 [787.4±7.9]	2-1435796-0
.52	10.0±.15 [393.7±6]	1-1435796-0
.52	7.0±0.08 [275.6±3]	1435796-7
.51	5.0±.08 [196.9±3]	1435796-5
.50	3.0±.05 [118.1±2.0]	1435796-3
.50	2.0±.05 [78.7±2.0]	1435796-2
.50	1.0±.05 [39.4±2.0]	1435796-1

LOC	DIST	REV	DATE	DWN	APVD
HM	00	A	31MAY2005	JM	MD
		B	12DEC2005	GG	MD
		C	09MAR2009	GG	DC



△ DIMENSIONS IN [ ] ARE IN INCHES.  
 △ MAXIMUM CONNECTOR LOSS IS EQUAL TO .50 dB PLUS CABLE ATTENUATION.

SCALE 1:1

<small>THIS DRAWING IS UNPUBLISHED. IT IS SUBJECT TO CHANGE WITHOUT NOTICE AND WITHOUT OBLIGATION. TYPICAL DIMENSIONS ARE SHOWN UNLESS OTHERWISE SPECIFIED. CONTACT THE DRAWING ENGINEER FOR THE LATEST REVISION.</small>		DWN J MCNEAL 31MAY2005 CHK L SMLTH 31MAY2005 APVD M DELPHIAS 31MAY2005	<b>Tyco Electronics</b> Tyco Electronics Harrisburg, PA 17105-3608
DIMENSIONS: △ METERS 	TOLERANCES UNLESS OTHERWISE SPECIFIED: 9 PLC ± 1 PLC ± 3 PLC ± 5 PLC ± 4 PLC ± ANGLES ± FINISH ±	NAME CABLE ASSY FIBER OPTIC AMPTRAC SC TO LC DUPLEX, XG 50um, MM	SIZE CAGE CODE DRAWING NO A100779C-1435796
MATERIAL	FINISH	WEIGHT	RESTRICTED TO
		CUSTOMER DRAWING	SCALE 2:1 SHEET 1 OF 1 REV C