

ECN#	APP'D./DATE	REV.
10423	TAM 6/6/94	0

**SAFETY ORGANIZATION(S):**

THIS MODULE HAS BEEN FORMALLY RECOGNIZED, CERTIFIED OR APPROVED BY THE LISTED AGENCY. THEREFORE, ALL TEST/REQUIREMENTS SPECIFIED IN THE LATEST REVISION OF THE FOLLOWING AGENCY STANDARDS HAVE BEEN MET:

UL RECOGNIZED	UL 498
CSA CERTIFIED	CSA 22.2, NO.0,0.4,42
VDE APPROVED	VDE 625

**OPERATING SPECIFICATIONS:**

LINE VOLTAGE/CURRENT: 6 AMP, 120 VAC  
 6 AMP./40°C, 250 VAC  
 LINE FREQUENCY: 47-440Hz

**RELIABILITY SPECIFICATIONS:**

STORAGE TEMPERATURE: -55°C TO +85°C  
 HUMIDITY: 21 DAYS @ 40°C 95% RH  
 CURRENT OVERLOAD TEST: 6 TIMES RATED CURRENT FOR 8 SECONDS

**TEST SPECIFICATIONS:**

LINE/GROUND AND LINE/LINE 6000MΩ (MIN) AT 100VDC  
 INSULATION RESISTANCE: 20°C AND 50% RH

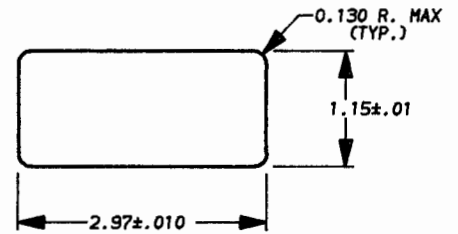
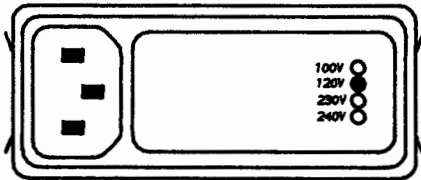
**RECOMMENDED RECEIVING INSPECTION HIPOT:**

LINES TO GROUND: 1500 VAC FOR 1 MINUTE  
 LINE TO LINE: 1450 VDC FOR 1 MINUTE

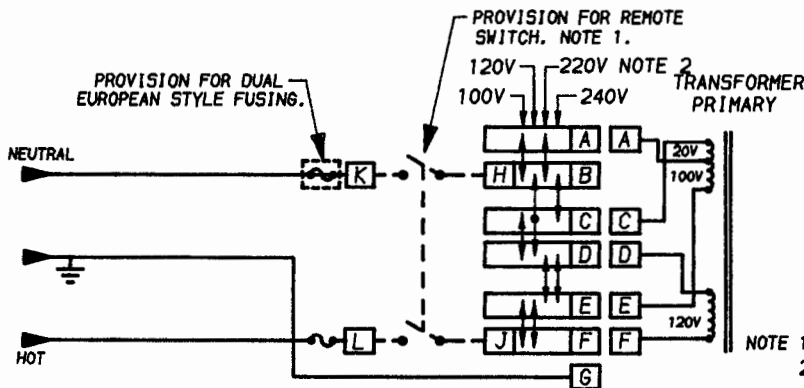
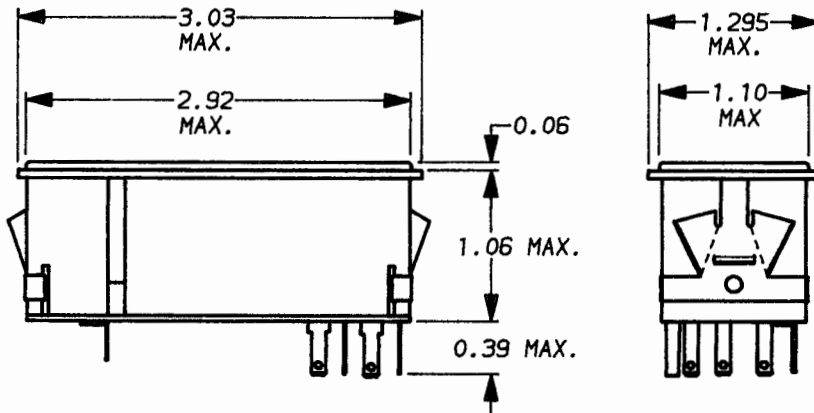
**FILTER APPROVAL:**

THE BEST WAY TO SELECT AND QUALIFY A FILTER IS FOR YOUR ENGINEERING TO TEST THE UNIT IN YOUR EQUIPMENT.


U.S. PATENT No. 4,488,201



**RECOMMENDED PANEL CUT-OUT**  
 NOT TO SCALE



NOTE 1. JUMPERS REQUIRED IF NO SWITCH OR FILTER IS USED.  
 2. 230V FOR EUROPEAN APPLICATIONS.

	UNLESS OTHERWISE SPECIFIED, TOLERANCE TO BE ±.025	 LIBERTYVILLE, IL 60048	
	MATERIAL & FINISH: AS SUPPLIED		
	This document is proprietary to CORCOM INC. and is not to be reproduced nor used for manufacturing purposes except on CORCOM'S prior written consent.	DATE: 4-18-94	CATALOG NO. 6VM4C

CAD NO. 6VM4C.00