

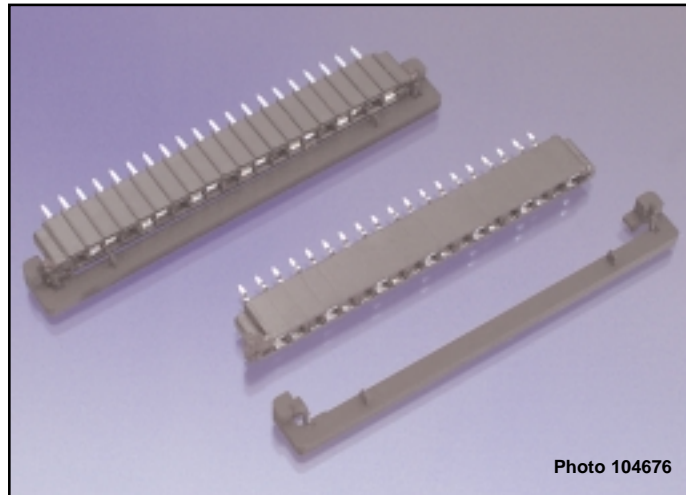
Locking Trio-Mate Flexible Cable Connector

DESCRIPTION

- A wire-to-board interface providing positive locking between a flexible circuit or flexible flat conductor and the connector
- For use on 1.57 mm thick printed circuit boards

APPLICATIONS

- Used in home appliances or equipment using Flexible Etched Circuitry (FEC) or Flat Flexible Cable (FFC)



Revised 10/01 1307181

KEY FEATURES

- Locking feature for capturing FFC or FEC and providing positive indication of insertion
- Staggered contacts reduce cable insertion force

MECHANICAL

- .100" centerline
- Vertical version available

MATERIALS

- Housing: Black thermoplastic, UL 94V-0
- Contact: Phosphor Bronze

STANDARDS & SPECS

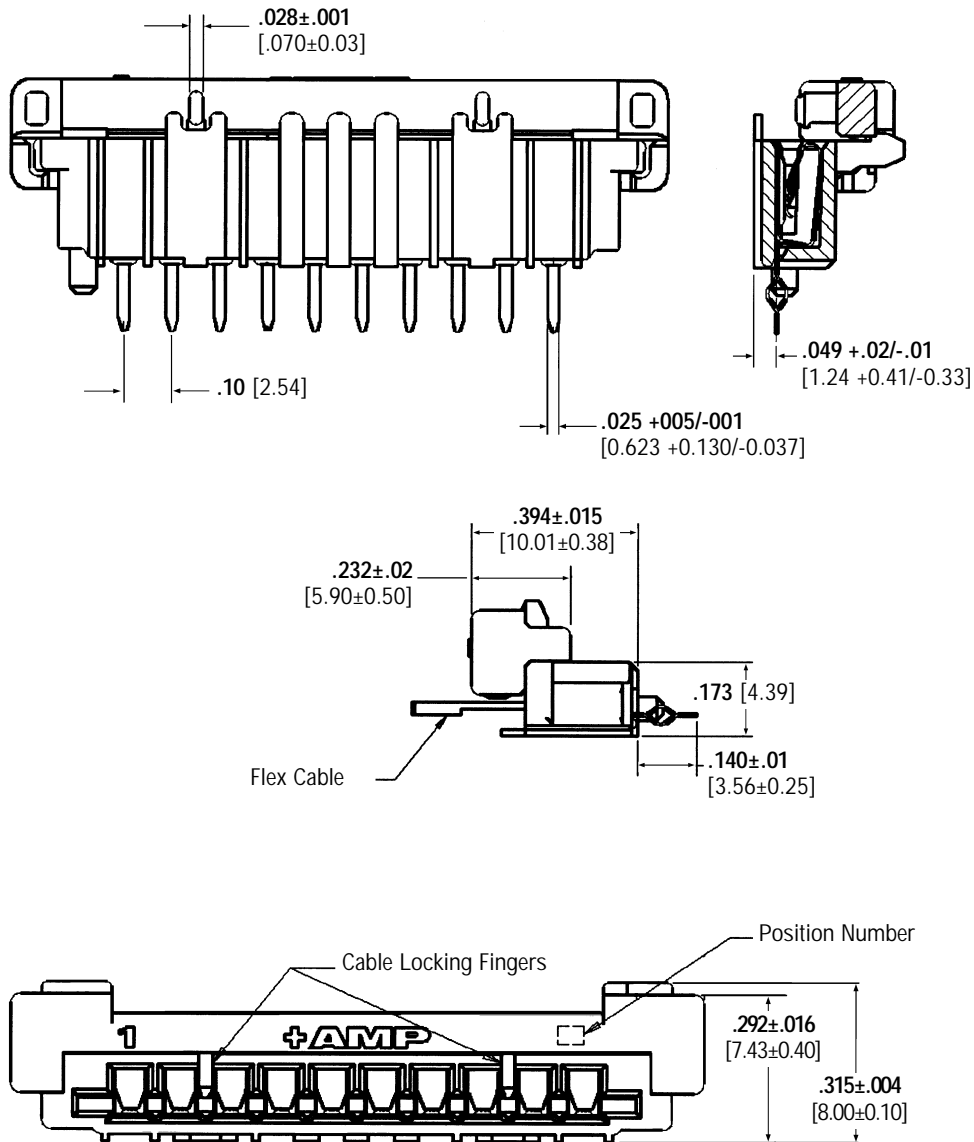
- UL Listed
- Product Specification: 108-2038
- Application Specification: 114-2062

FOR MORE INFORMATION

Technical Support Center
Phone: 1-800-522-6752
Internet: www.tycoelectronics.com
E-mail: newproducts@tycoelectronics.com

Locking Trio-Mate Flexible Cable Connector

PRODUCT DIMENSIONS



PRODUCT OFFERING

- Drawing 120628 - LOCKING TRIO-MATE ASSY, VERTICAL, POLARIZATION ON PIN #1 SIDE, W/RETENTION LEGS

Position	Part Number	Position	Part Number	Position	Part Number
5	120628-5	12	1-120628-2	18	1-120628-8
7	120628-7	13	1-120628-3	19	1-120628-9
8	120628-8	14	1-120628-4	20	2-120628-0
9	120628-9	16	1-120628-6	22	2-120628-2
10	1-120628-0	17	1-120628-7		