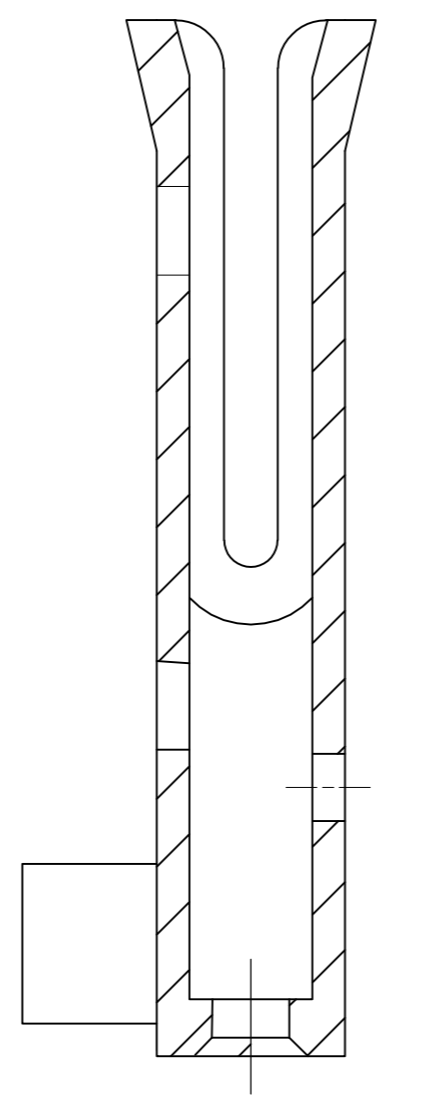
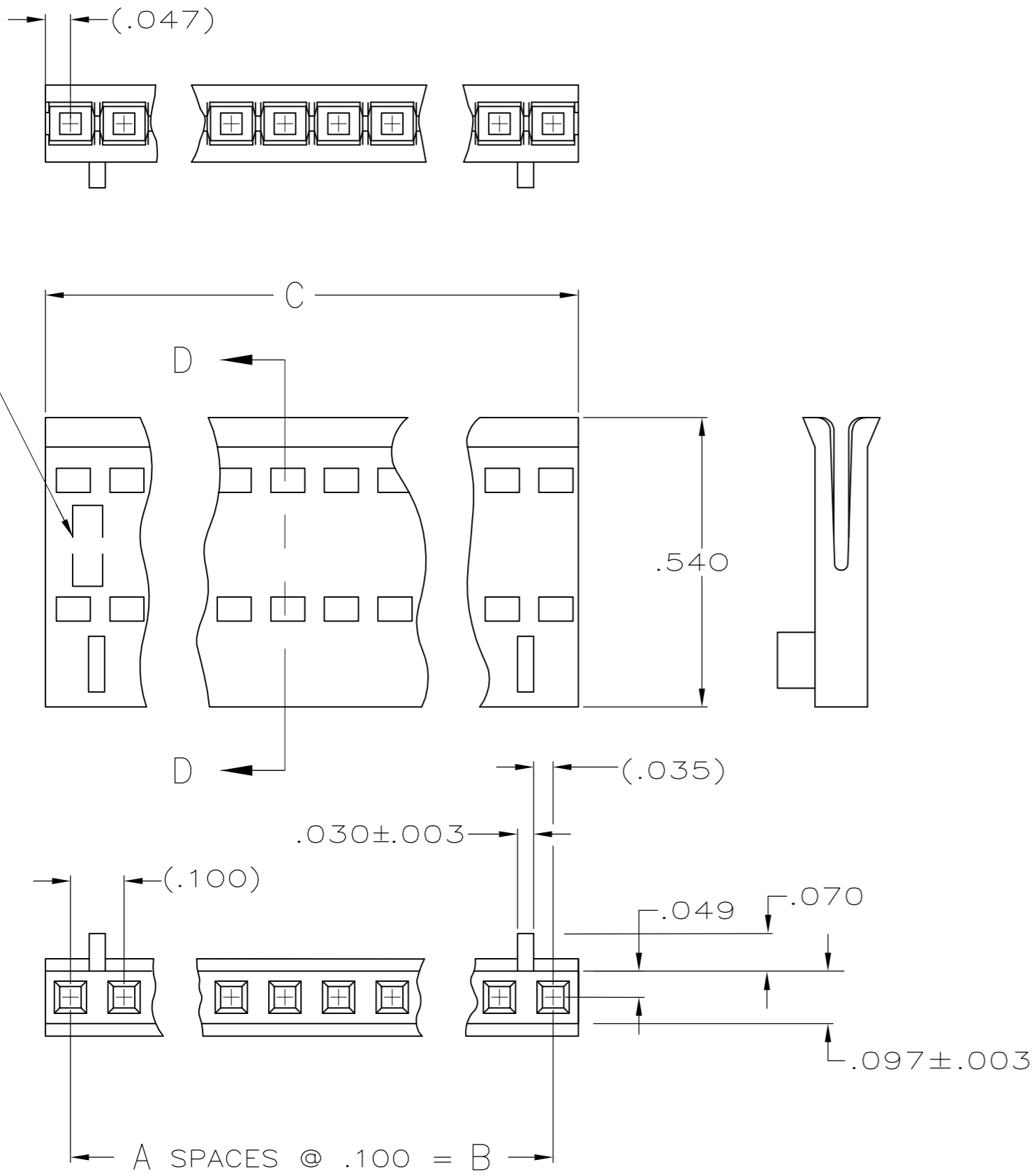


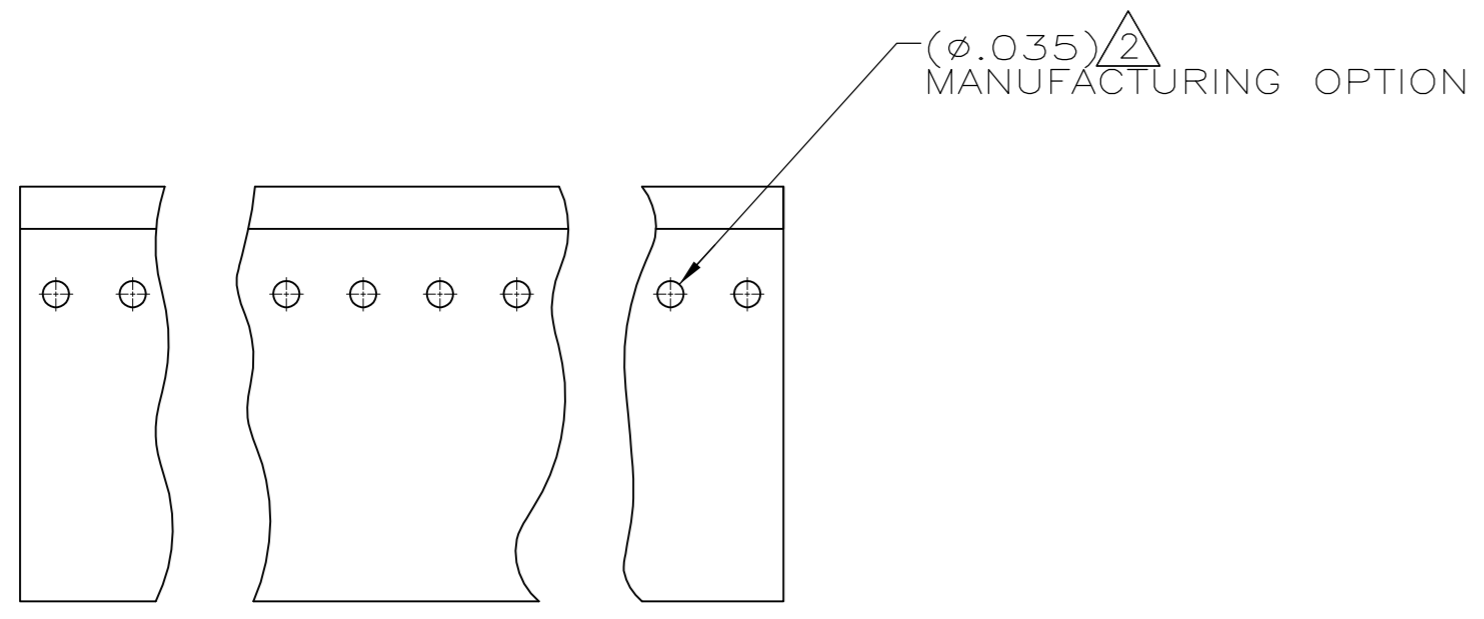
THIS DRAWING IS UNPUBLISHED. RELEASED FOR PUBLICATION  
 © COPYRIGHT BY TYCO ELECTRONICS CORPORATION. ALL INTERNATIONAL RIGHTS RESERVED.

LOC	DIST	REVISIONS					
GP	00	P	LTR	DESCRIPTION	DATE	DWN	APVD
		B		REVISED PER ECO-08-009038	14APR08	JDP	CWR



SECTION D-D

- ① AMP TRADEMARK AND MOLD CAVITY IDENTIFICATION LOCATED AT EITHER END OF THE HOUSING IN APPROXIMATE LOCATION SHOWN.
- ② THIS HOLE IS FOR MOLDING PURPOSES ONLY AND MAY BE FLASHED OVER,



1.994	1.900	19	20	1761145-3
1.894	1.800	18	19	1761145-2
1.094	1.000	10	11	1761145-1
C	B	A	NO OF POSNS	PART NO

THIS DRAWING IS A CONTROLLED DOCUMENT.		DWN B. MCMASTER 20MAY04	Tyco Electronics Corporation Harrisburg, PA 17105-3608	
DIMENSIONS: INCHES		CHK S. BOLASH 20MAY04	NAME HOUSING, RECEPTACLE, POLARIZED, FFC	
TOLERANCES UNLESS OTHERWISE SPECIFIED:		APVD M. WALMSLEY 20MAY04	PRODUCT SPEC 108-9024	
0 PLC ± -		APPLICATION SPEC 114-16015		
1 PLC ± -		SIZE A2		
2 PLC ± -		CAGE CODE 00779		
3 PLC ± .005		DRAWING NO C=1761145		
4 PLC ± -		RESTRICTED TO -		
ANGLES ± -		SCALE NTS		
FINISH -		SHEET 1 of 1		
MATERIAL PBT, UL94V-0 COLOR: BLACK		REV B		
CUSTOMER DRAWING		SCALE NTS		

1761145