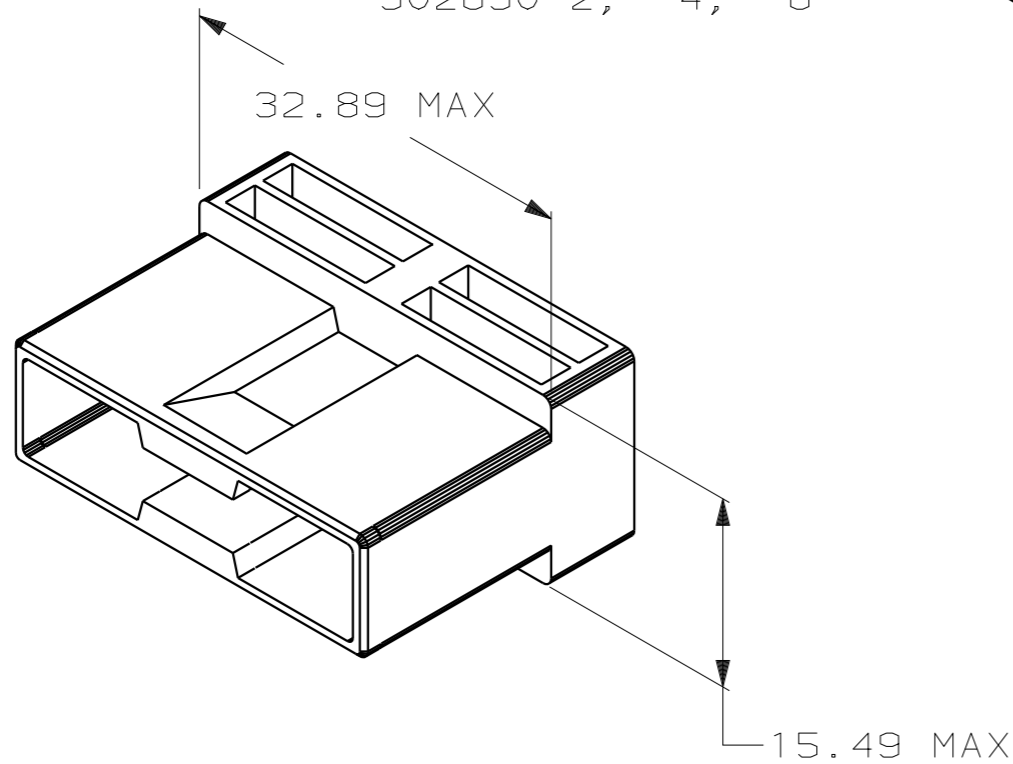
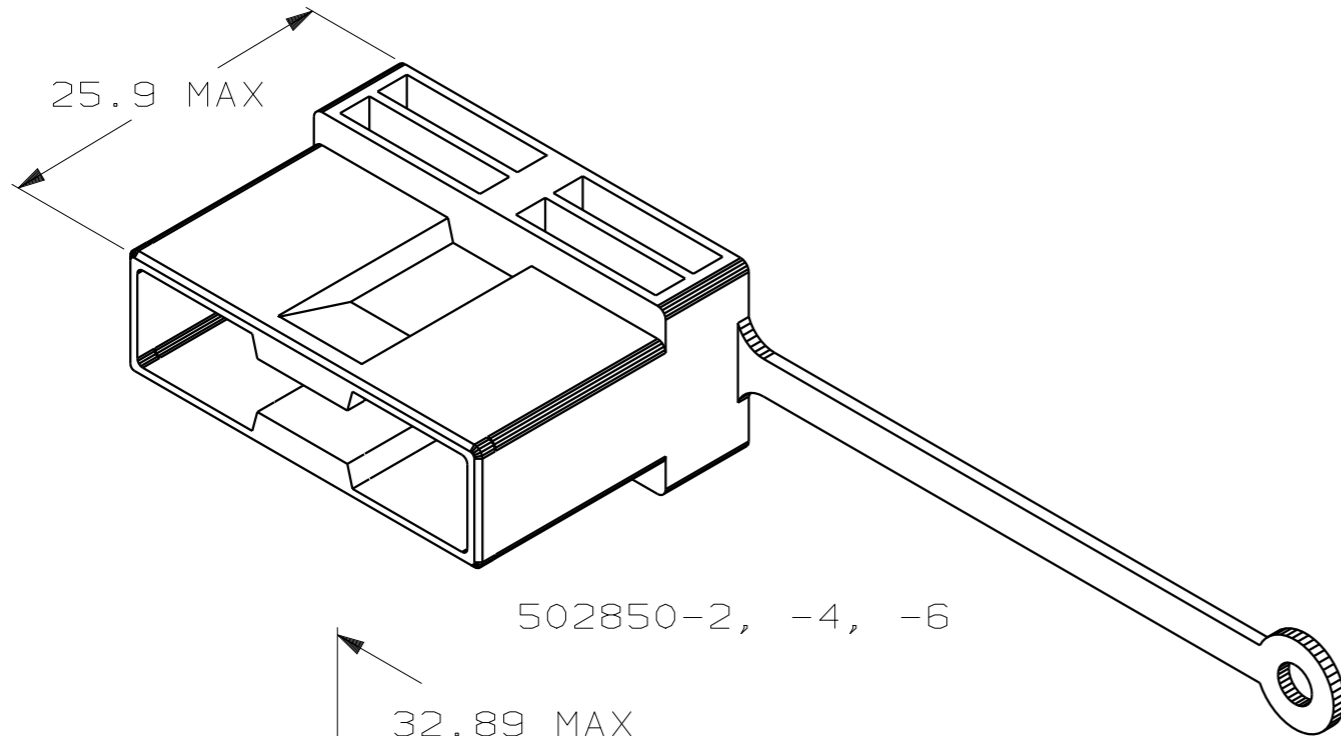


THIS DRAWING IS UNPUBLISHED. RELEASED FOR PUBLICATION, 19 .
 © COPYRIGHT 19 BY AMP INCORPORATED. ALL INTERNATIONAL RIGHTS RESERVED.

LOC	DIST	P	F	ZONE	LTR	REVISIONS	DATE	APPD
CE	00				C	REV PER 0A00-0076-05	2-18-05	DDE



- 1. MATL: TPE: UL94 V-0 RATED AT QUALIFYING THICKNESS, SEE DASH NUMBER FOR COLOR.
- 2. FITS STANDARD MIC RECEPTACLE, ALL KEYING TYPES.

OBSOLETE	PEARL	WITH MOUNTING STRAP	502850-6
OBSOLETE	WHITE	W/O MOUNTING STRAP	502850-5
OBSOLETE	BLACK	WITH MOUNTING STRAP	502850-4
		W/O MOUNTING STRAP	502850-3
OBSOLETE	BEIGE	WITH MOUNTING STRAP	502850-2
		W/O MOUNTING STRAP	502850-1
	COLOR	DESCRIPTION	PART NUMBER

DO NOT SCALE PRINT. UNLESS SPECIFIED DIMENSIONS IN mm TOLERANCES ON: 2 PLC DEC ± - 3 PLC DEC ± - ANGLES ± -		DR. R.HILEMAN 6-26-96	PART NO	
MATERIAL	FINISH	CHK F.ROVENOLT 7-9-96	AMP INCORPORATED Harrisburg, Pa. 17105	
1	-	APPD F.ROVENOLT 7-9-96	NAME DUST COVER, FIELD KEY RECEPTACLE	
		APPD F.ABENDSCHE IN 7-9-96	SIZE B	FSCM NO 00779
		PRODUCT SPEC -	DRAWING NO 502850	SCALE 2:1
		APPLICATION SPEC -	SHEET 1 OF 1	
		WEIGHT -		