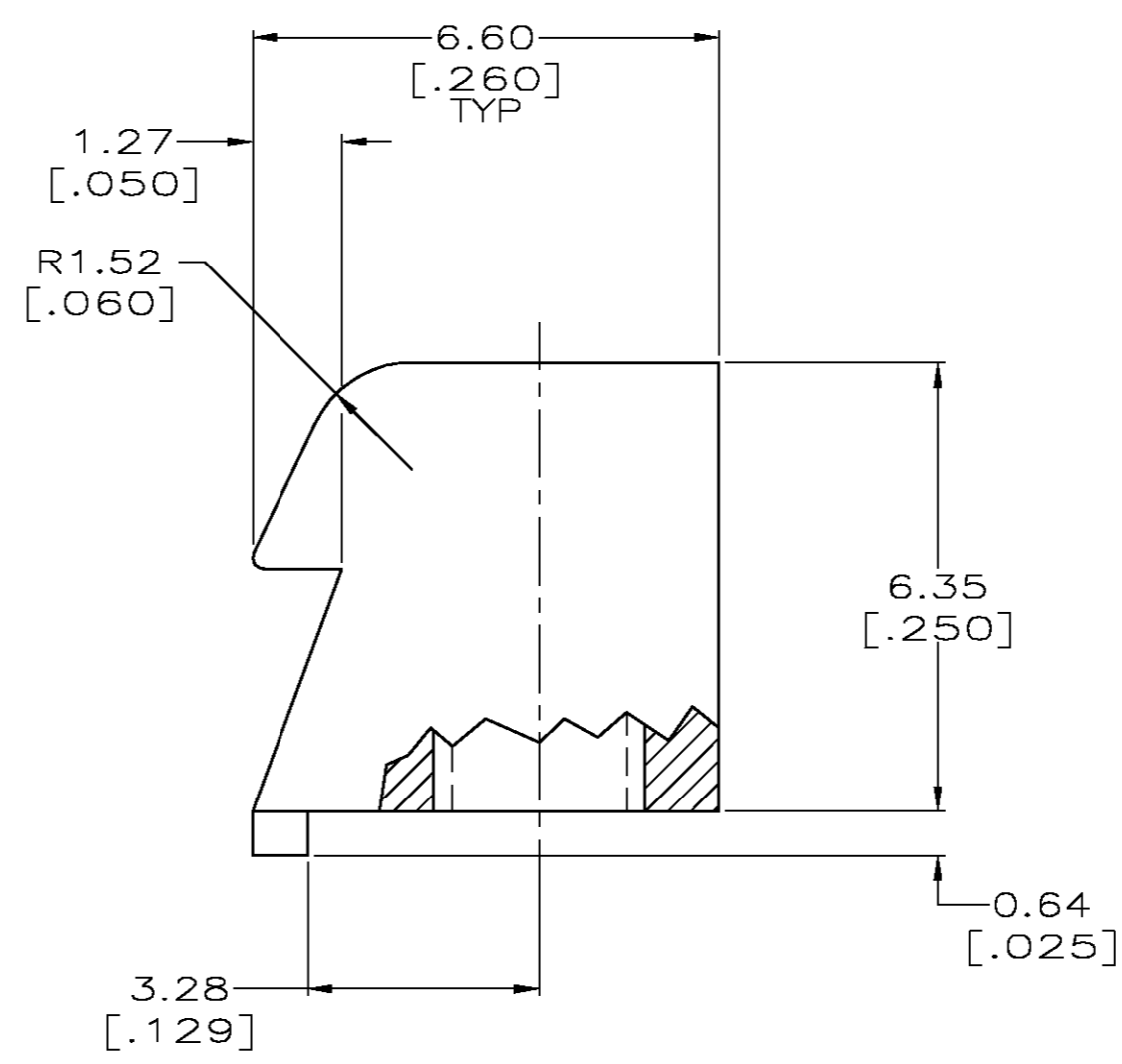
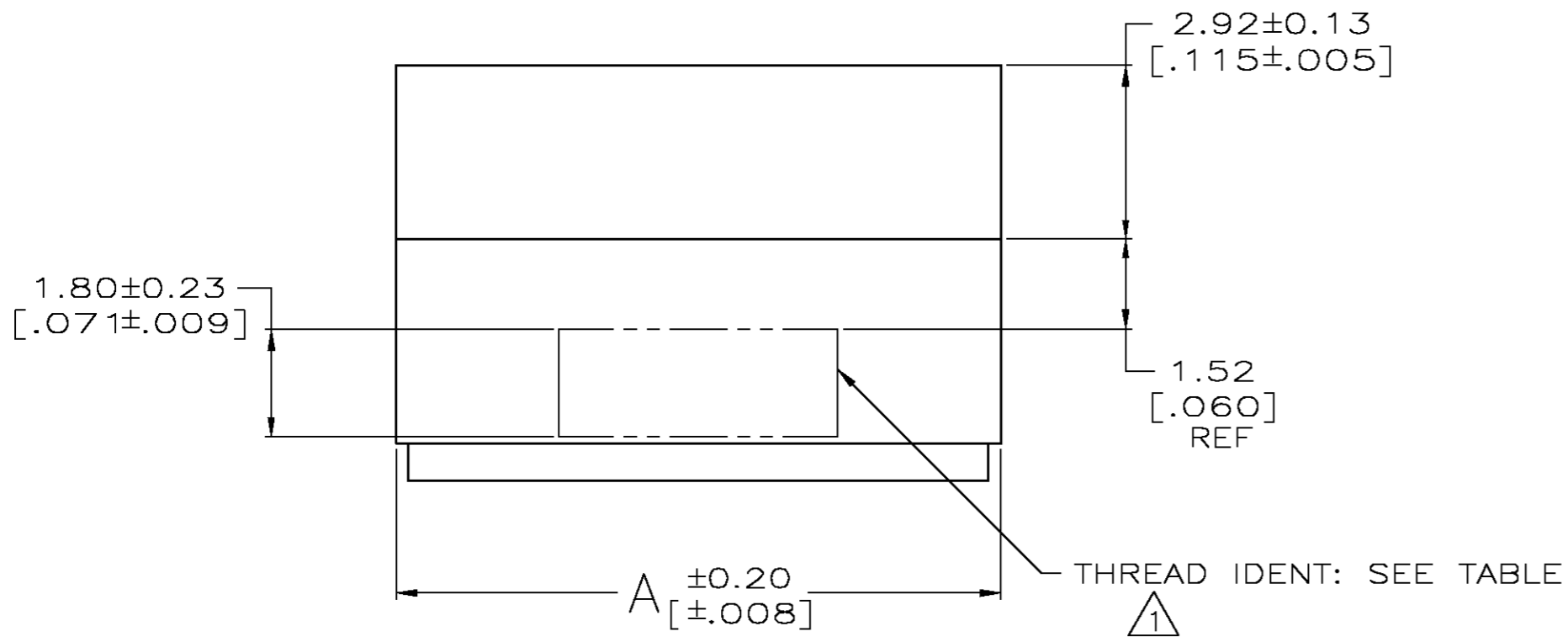
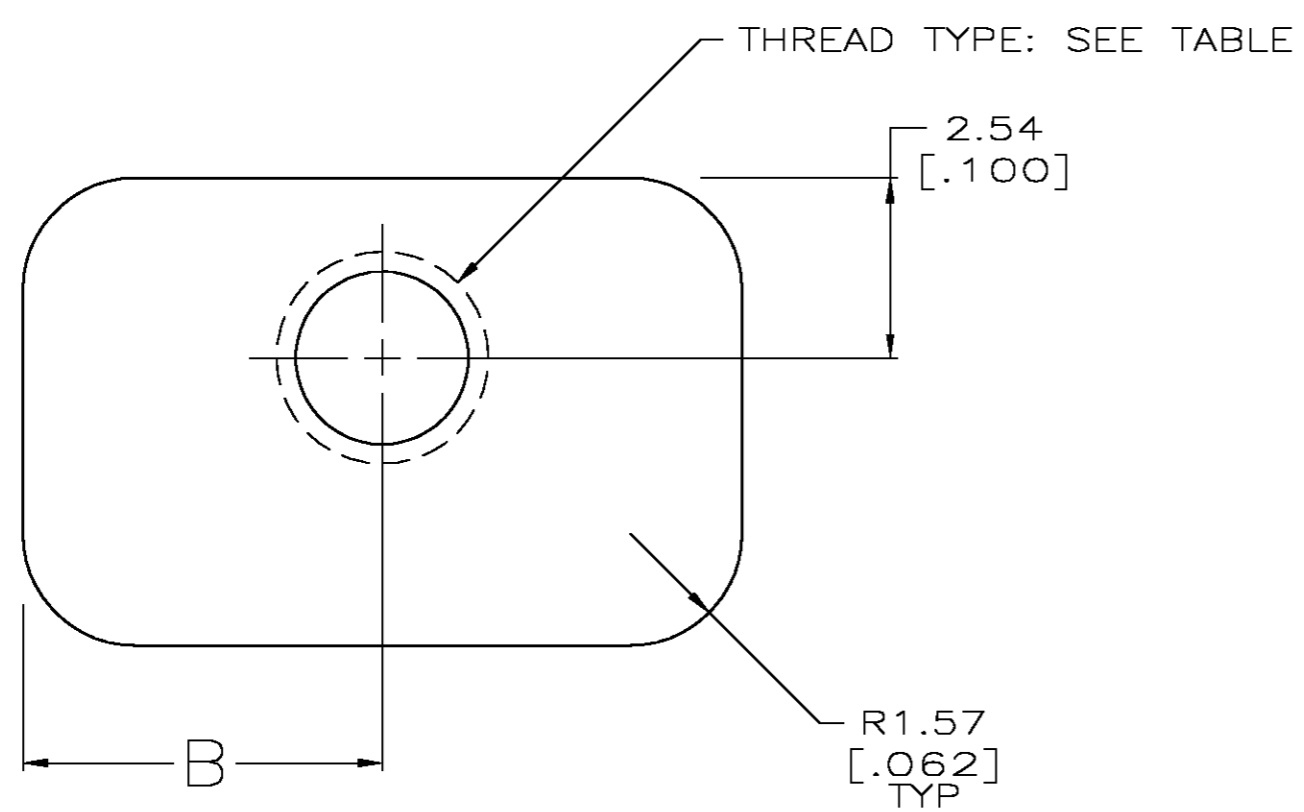


THIS DRAWING IS UNPUBLISHED. RELEASED FOR PUBLICATION
 © COPYRIGHT BY TYCO ELECTRONICS CORPORATION. ALL RIGHTS RESERVED.

LOC		DIST		REVISIONS			
P	LTR	DESCRIPTION	DATE	DWN	APVD		
GP	00	H	REVISED PER EC OS13-0370-03	10MAR04	BM	JG	



△ THREAD IDENTIFICATION LOCATED THIS AREA, 0.20 [.008] MAX RAISED CHARACTERS.

4-40	ONE KIT PER BAG	2	4-40 UNC-2B	6.73 [.265]	13.46 [.530]	1-208101-1
4-40	BULK PACKAGED	2	4-40 UNC-2B	5.08 [.200]	10.16 [.400]	208101-9
4-40	ONE KIT PER BAG	2	4-40 UNC-2B	5.08 [.200]	10.16 [.400]	208101-8
M3	BULK PACKAGED	2	M3 X 0.5-6H	5.08 [.200]	10.16 [.400]	208101-2
M3	ONE KIT PER BAG	2	M3 X 0.5-6H	5.08 [.200]	10.16 [.400]	208101-1
THREAD IDENT	PACKAGING	QUANTITY	THREAD TYPE	B	A	PART NUMBER

THIS DRAWING IS A CONTROLLED DOCUMENT.		DWN B. MCMASTER 10MAR04	Tyco Electronics Corporation Harrisburg, Pa 17105-3608	
DIMENSIONS: mm[INCHES]		CHK C. ROHDE 10MAR04	NAME M. WALMSLEY 10MAR04	
TOLERANCES UNLESS OTHERWISE SPECIFIED:		PRODUCT SPEC		
0 PLC ± - 1 PLC ± - 2 PLC ± 0.25 [.010] 3 PLC ± - 4 PLC ± - ANGLES ± - FINISH -		APPLICATION SPEC		
MATERIAL ZINC		WEIGHT -	SIZE A2	CAGE CODE 00779
		DRAWING NO C-208101		RESTRICTED TO -
		CUSTOMER DRAWING		SCALE 10:1
		SHEET 1 OF 1		REV H