

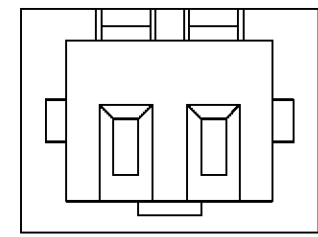
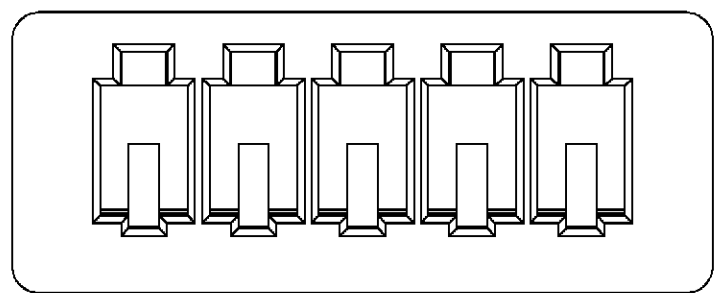
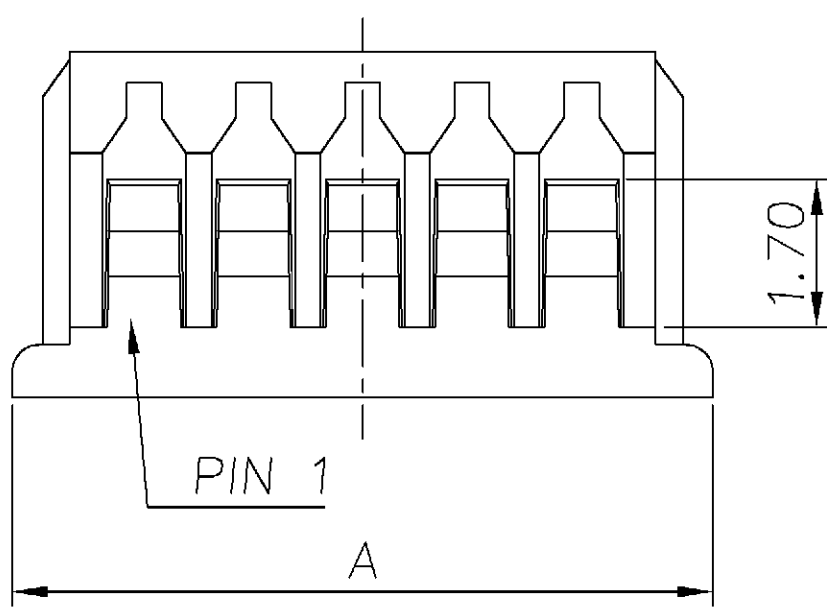
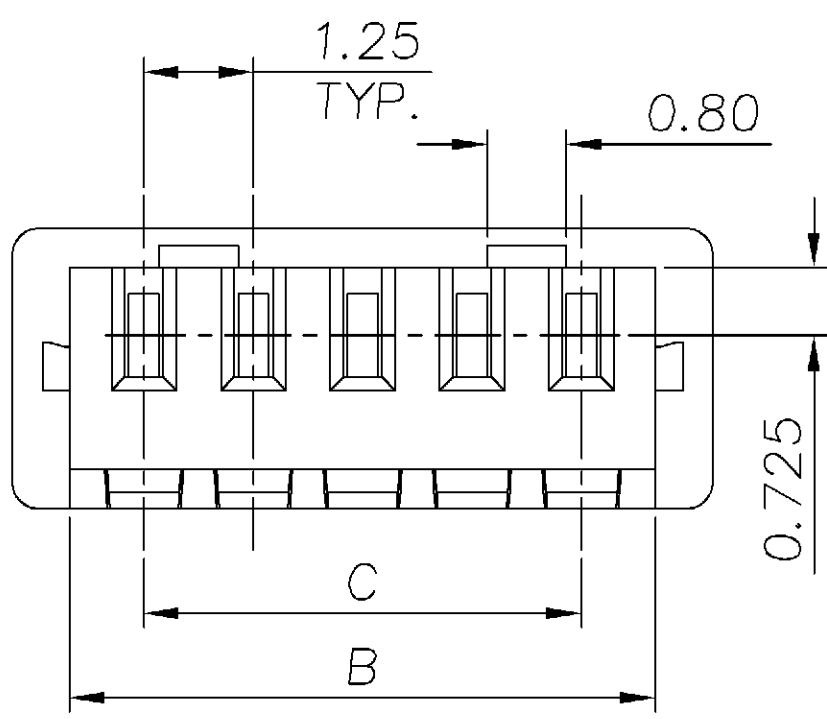
NUMBER
C-440146

3RD ANGLE PROJECTION

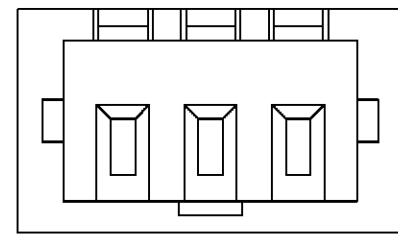
METRIC

THIS INFORMATION IS CONFIDENTIAL AND IS DISCLOSED TO YOU ON CONDITION THAT NO FURTHER DISCLOSURE IS MADE BY YOU TO OTHER THAN AMP PERSONNEL WITHOUT WRITTEN AUTHORIZATION FROM AMP (TAIWAN) LTD. DIMENSIONS IN MILLIMETERS. DO NOT SCALE PRINT.

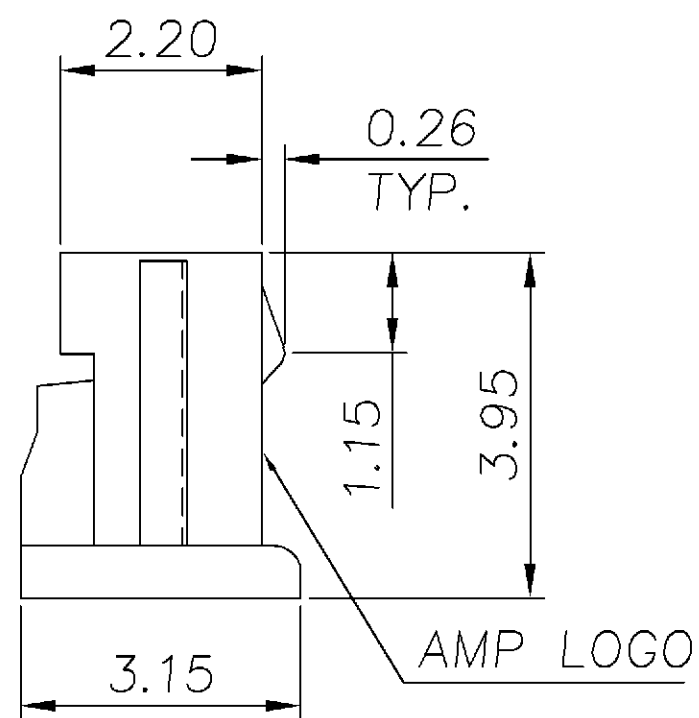
PRINT
DW



2 POS.



3 POS.



NOTE:
1. MATERIAL:
HOUSING: THERMOPLASTIC, UL 94V-0,
COLOR: NATURAL.
2. APPLY TERMINAL PART NO: X-440147-X.

15	20.50	19.20	17.50	1-440146-5
14	19.25	17.95	16.25	1-440146-4
13	18.00	16.70	15.00	1-440146-3
12	16.75	15.45	13.75	1-440146-2
11	15.50	14.20	12.50	1-440146-1
10	14.25	12.95	11.25	1-440146-0
9	13.00	11.70	10.00	440146-9
8	11.75	10.45	8.75	440146-8
7	10.50	9.20	7.50	440146-7
6	9.25	7.95	6.25	440146-6
5	8.00	6.70	5.00	440146-5
4	6.75	5.45	3.75	440146-4
3	5.50	4.20	2.50	440146-3
2	4.25	2.95	1.25	440146-2
POS.	DIMENSIONS			PART NUMBER

B	REVISED DRAWING	FZ00-0167-03	OH AW	31JUL 2003
A	REVISED	FZ00-0166-02	OH JC	26JUL 2002
O	FIRST RELEASED	FZ00-0078-02	OH JC	04APR 2002
LTR	REVISION RECORD	ECN	DWN CHK	DATE

DIMENSION :		DWN		O. HU	
0 PLC	±	29-JUL-2003		29-JUL-2003	
1 PLC	±0.15	CHK		A. WU	
2 PLC	±0.10	29-JUL-2003		29-JUL-2003	
3 PLC	±0.05	MATERIAL		APVD	
ANGLES	±3'	SEE NOTE		J. CHENG	
FINISH		SEE NOTE		29-JUL-2003	
WEIGHT		PRODUCT SPEC		NAME	
/		108-57225		WIRE TO BOARD SOCKET, HOUSING, 1.25 PITCH.	
LOC	SIZE	DRAWING NO	REV	TYCO HOLDINGS (BERMUDA) VII LTD. TAIWAN BRANCH	
DW	A ₃	C-440146	B	Electronics	
SCALE	--	SHEET		1 OF 2	

NUMBER
C-440146

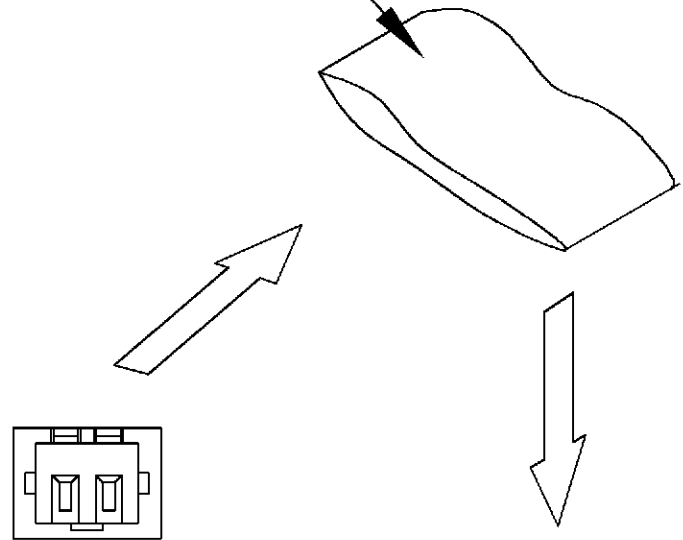


METRIC

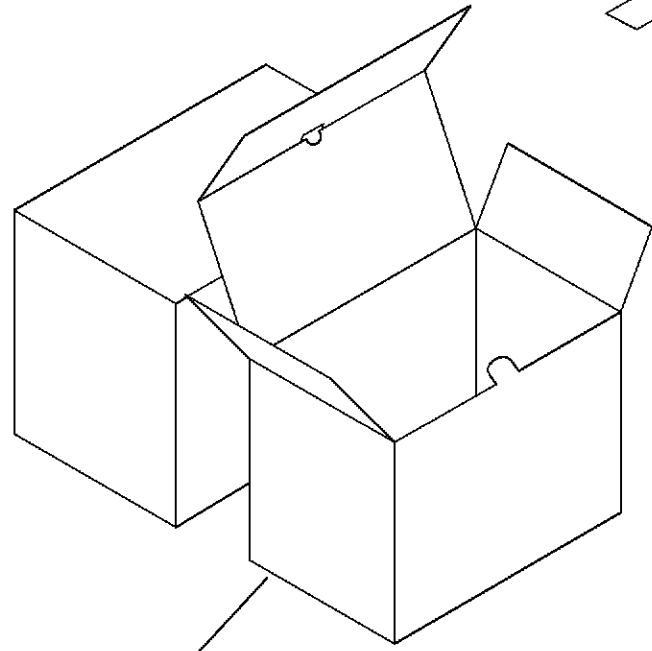
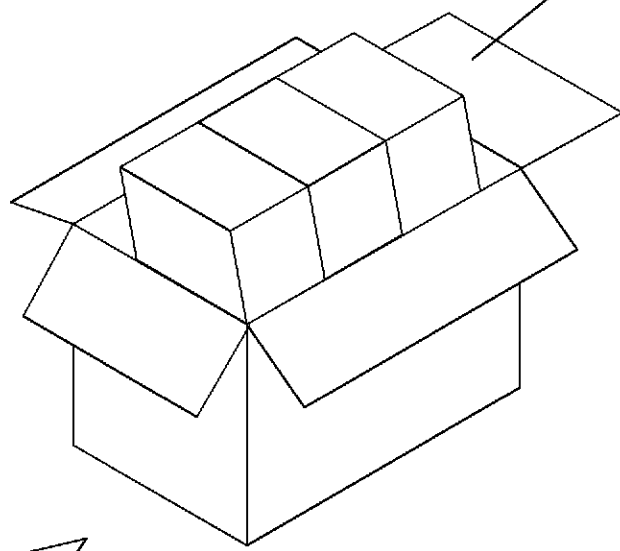
THIS INFORMATION IS CONFIDENTIAL AND IS DISCLOSED TO YOU ON CONDITION THAT NO FURTHER DISCLOSURE IS MADE BY YOU TO OTHER THAN AMP PERSONNEL WITHOUT WRITTEN AUTHORIZATION FROM AMP (TAIWAN) LTD. DIMENSIONS IN MILLIMETERS. DO NOT SCALE PRINT.

PRINT
DW

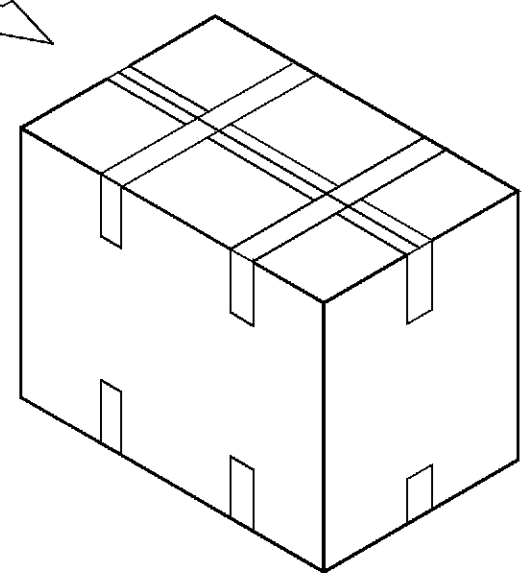
POLY BAG



CARTON
320mm(L)X 220mm(W)X 140mm(H)



INEER BOX
100mm(L)X 200mm(W)X 120mm(H)



15,000	1,000	1-440146-5
15,000	1,000	1-440146-4
15,000	1,000	1-440146-3
18,000	1,000	1-440146-2
18,000	1,000	1-440146-1
21,000	1,000	1-440146-0
21,000	1,000	440146-9
24,000	1,000	440146-8
27,000	1,000	440146-7
30,000	1,000	440146-6
33,000	1,000	440146-5
36,000	1,000	440146-4
48,000	2,000	440146-3
60,000	2,000	440146-2
APQ (PCS/CARTON)	PPQ (PCS/BAG)	PART NUMBER

DIMENSION : 0 PLC ± 1 PLC ±0.15 2 PLC ±0.10 3 PLC ±0.05 ANGLES ±3'	DWN	O. HU 29-JUL-2003	TYCO HOLDINGS (BERMUDA) VII LTD. TAIWAN BRANCH		
	CHK	A. WU 29-JUL-2003			
MATERIAL	APVD	J. CHENG 29-JUL-2003	WIRE TO BOARD SOCKET, HOUSING, 1.25 PITCH.		
SEE NOTE	PRODUCT SPEC				
FINISH	QUALIFICATION TEST REPORT		LOC	SIZE	DRAWING NO
SEE NOTE	WEIGHT		DW	A ₃	C-440146
			SCALE		REV B
					SHEET 2 OF 2

	SEE SHEET 1.			
LTR	REVISION RECORD	ECN	DWN	CHK
				DATE