

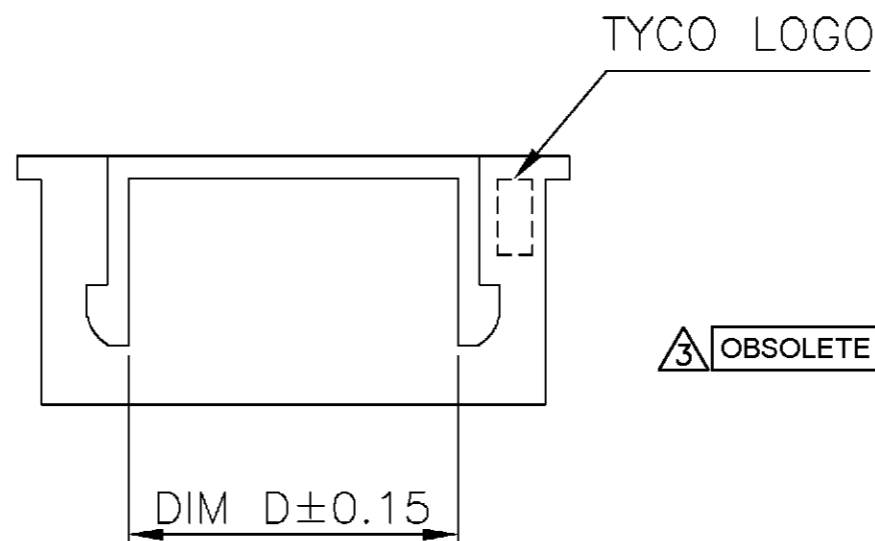
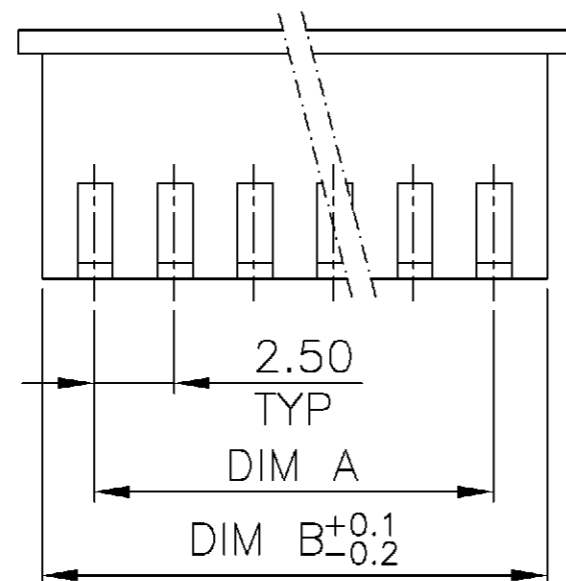
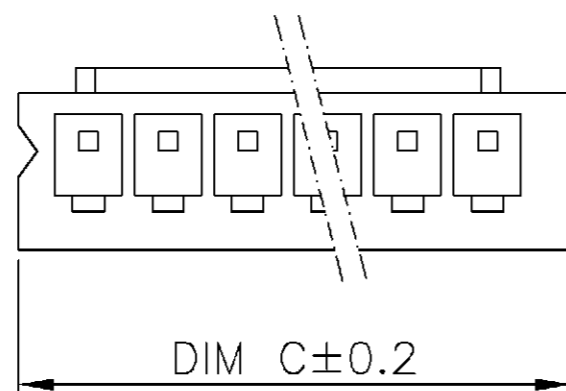
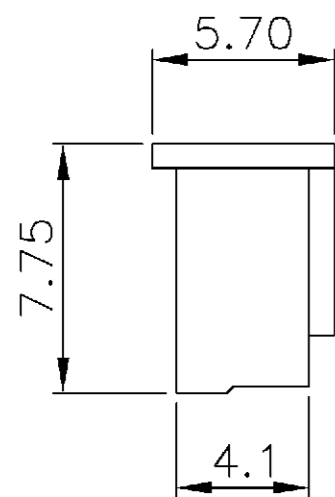
NUMBER
C-1734006



METRIC

THIS INFORMATION IS CONFIDENTIAL AND IS DISCLOSED TO YOU ON CONDITION THAT NO FURTHER DISCLOSURE IS MADE BY YOU TO OTHER THAN AMP PERSONNEL WITHOUT WRITTEN AUTHORIZATION FROM AMP (TAIWAN) LTD. DIMENSIONS IN MILLIMETERS. DO NOT SCALE PRINT.

PRINT DIST
DW



NOTE:

- MATERIAL :
HOUSING : THERMOPLASTIC, UL 94V-0,
WHITE COLOR.
- APPLY TERMINAL PART NO: 1734007-1.

3 OBSOLETE PARTS: OBSOLETE CIS STREAMLINING PER D.RENAUD/D.SINISI

3 OBSOLETE	42.3	40.8	37.50±0.15	16	1-1734006-6
	39.8	38.3	35.00±0.15	15	1-1734006-5
	37.3	35.8	32.50±0.15	14	1-1734006-4
	34.8	33.3	30.00±0.15	13	1-1734006-3
	32.3	30.8	27.50±0.15	12	1-1734006-2
	29.8	28.3	25.00±0.12	11	1-1734006-1
	27.3	25.8	22.50±0.12	10	1-1734006-0
	24.8	23.3	20.00±0.12	9	1734006-9
	22.3	20.8	17.50±0.10	8	1734006-8
	19.8	18.3	15.00±0.10	7	1734006-7
	17.3	15.8	12.50±0.10	6	1734006-6
	14.8	13.3	10.00±0.08	5	1734006-5
	12.3	10.8	7.50±0.08	4	1734006-4
9.8	8.3	5.00±0.05	3	1734006-3	
7.3	5.8	2.50±0.05	2	1734006-2	
DIM. C	DIM. B	DIM. A	CIRCUITS	PART NUMBER	

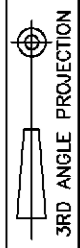
O1	REVISED	ECO-09-026495	KK AEG	28NOV 09
O	FIRST RELEASED	FZ00-0057-04	OH SH	16APR 2004
LTR	REVISION RECORD	ECN	DWN CHK	DATE

DIMENSION : 0 PLC ± 1 PLC ±0.25 2 PLC ±0.15 3 PLC ±0.05 ANGLES ±		DWN O. HU 16-APR-2004 CHK S. HOU 16-APR-2004		tyco TYCO HOLDINGS (BERMUDA) Electronics VII LTD. TAIWAN BRANCH	
MATERIAL SEE NOTE		APVD T. KE 16-APR-2004 PRODUCT SPEC 108-57467		NAME HPI 2.5 MM PITCH, SHROUDED, HOUSING	
FINISH SEE NOTE		QUALIFICATION TEST REPORT 501-57537 WEIGHT		LOC DW A ₃	DRAWING NO C-1734006
				SHEET 1 OF 2	REV O1

THIS INFORMATION IS CONFIDENTIAL AND IS DISCLOSED TO YOU ON CONDITION THAT NO FURTHER DISCLOSURE IS MADE BY YOU TO OTHER THAN AMP PERSONNEL WITHOUT WRITTEN AUTHORIZATION FROM AMP (TAIWAN) LTD. DIMENSIONS IN MILLIMETERS. DO NOT SCALE PRINT.

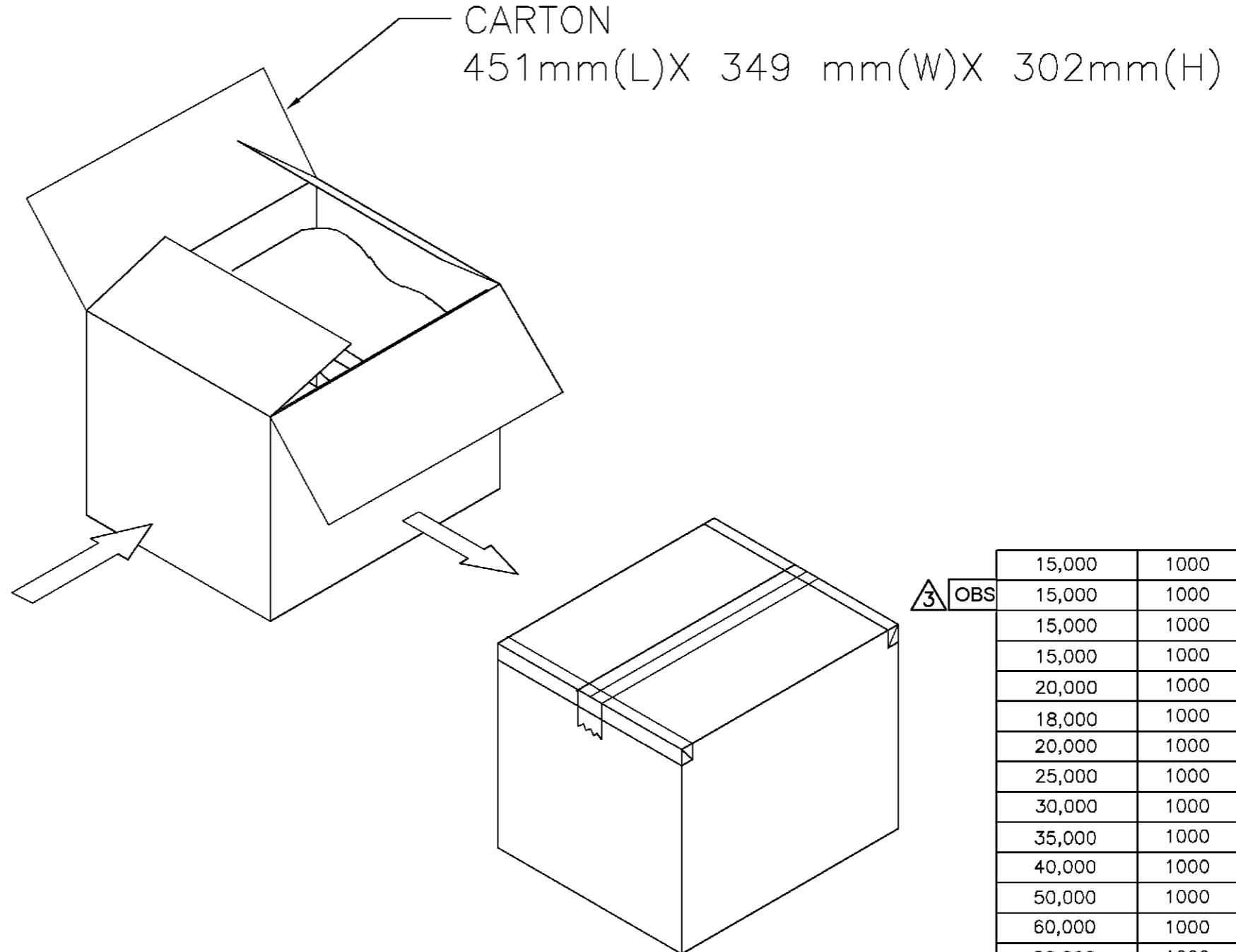
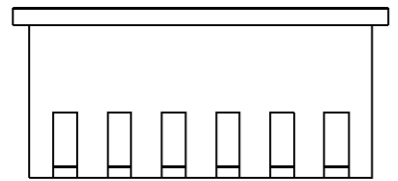
PRINT DIST
DW

METRIC



NUMBER
C-1734006

POLY BAG



	15,000	1000	1-1734006-6
3 OBS	15,000	1000	1-1734006-5
	15,000	1000	1-1734006-4
	15,000	1000	1-1734006-3
	20,000	1000	1-1734006-2
	18,000	1000	1-1734006-1
	20,000	1000	1-1734006-0
	25,000	1000	1734006-9
	30,000	1000	1734006-8
	35,000	1000	1734006-7
	40,000	1000	1734006-6
	50,000	1000	1734006-5
	60,000	1000	1734006-4
	80,000	1000	1734006-3
	100,000	1000	1734006-2
	APQ (PCS/CARTON)	PPQ (PCS/BAG)	PART NUMBER

DIMENSION : 0 PLC ± 1 PLC ± 2 PLC ± 3 PLC ± ANGLES ±	DWN	O. HU 16-APR-2004	TYCO HOLDINGS (BERMUDA) VII LTD. TAIWAN BRANCH			
	CHK	S. HOU 16-APR-2004				
MATERIAL SEE NOTE	APVD	T. KE 16-APR-2004	NAME HPI 2.5 MM PITCH, SHROUDED, HOUSING			
	PRODUCT SPEC					
FINISH SEE NOTE	APPLICATION SPEC		LOC	SIZE	DRAWING NO	REV
	WEIGHT		DW	A ₃	C-1734006	O1
			SCALE	SHEET		
			--		2 OF 2	

	SEE SHEET 1.			
LTR	REVISION RECORD	ECN	DWN	CHK
			DATE	