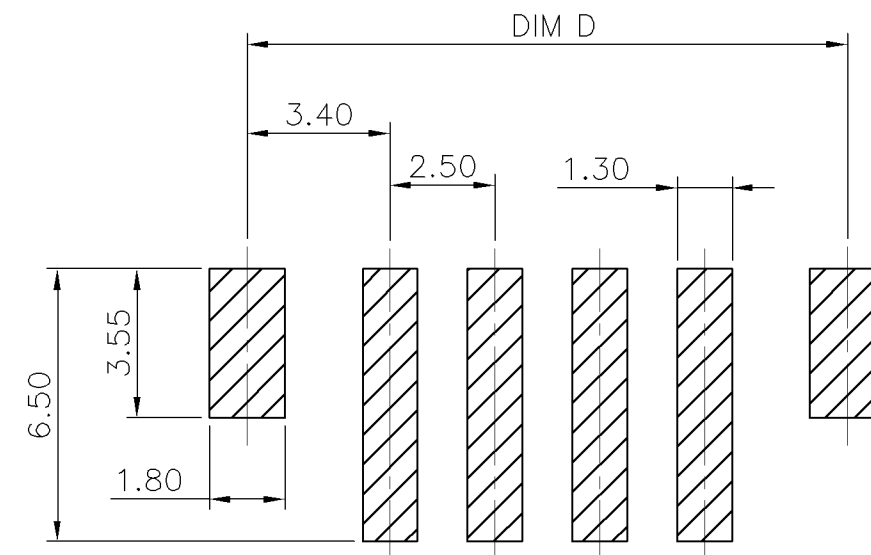
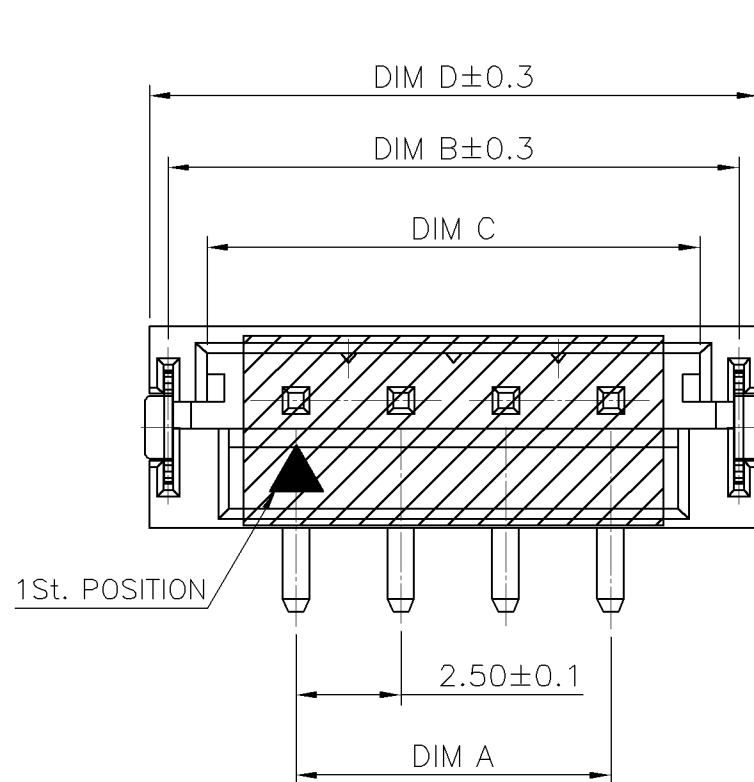
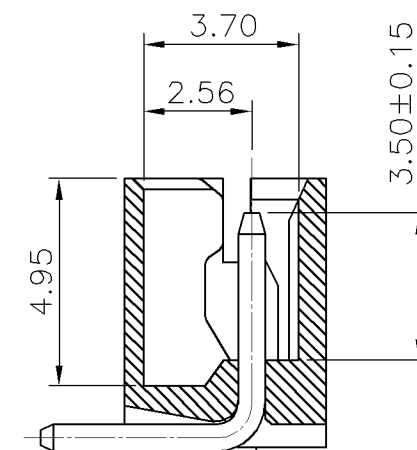
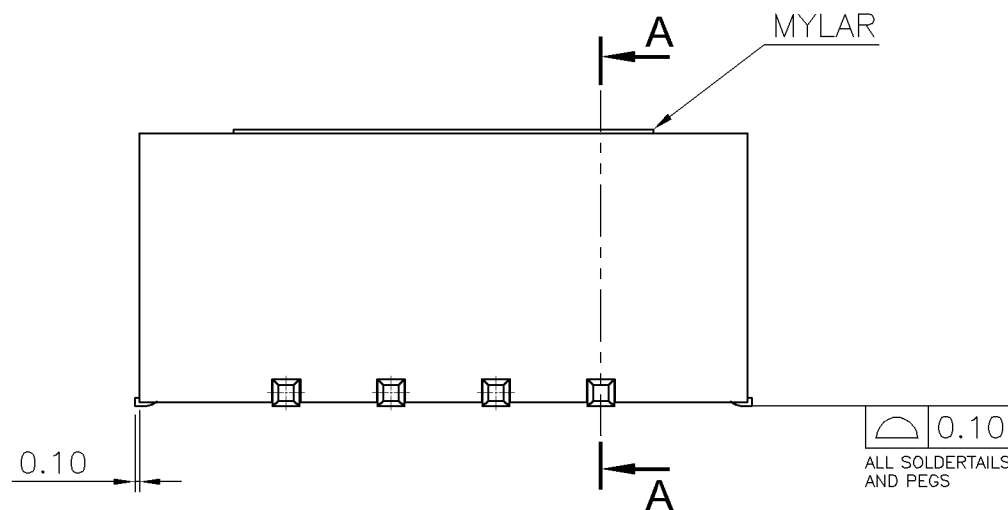
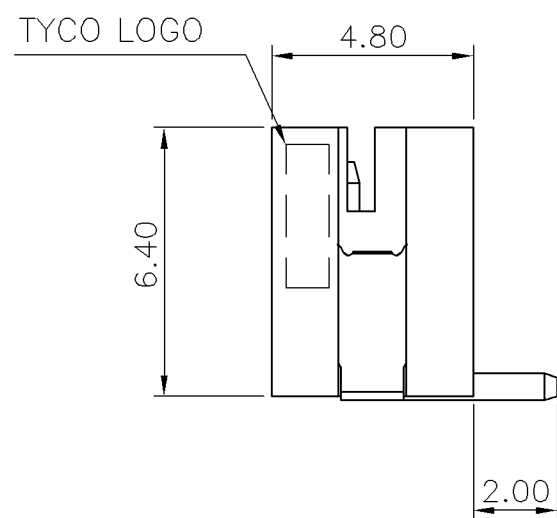


THIS DRAWING IS UNPUBLISHED. RELEASED FOR PUBLICATION
 © COPYRIGHT BY TYCO ELECTRONICS CORPORATION. ALL RIGHTS RESERVED.

LOC	DIST	REVISIONS					
DW	—	P	LTR	DESCRIPTION	DATE	DWN	APVD
			A	RELEASED	12JAN06	OH	WK



RECOMMENDED PCB LAYOUT



SECTION A-A

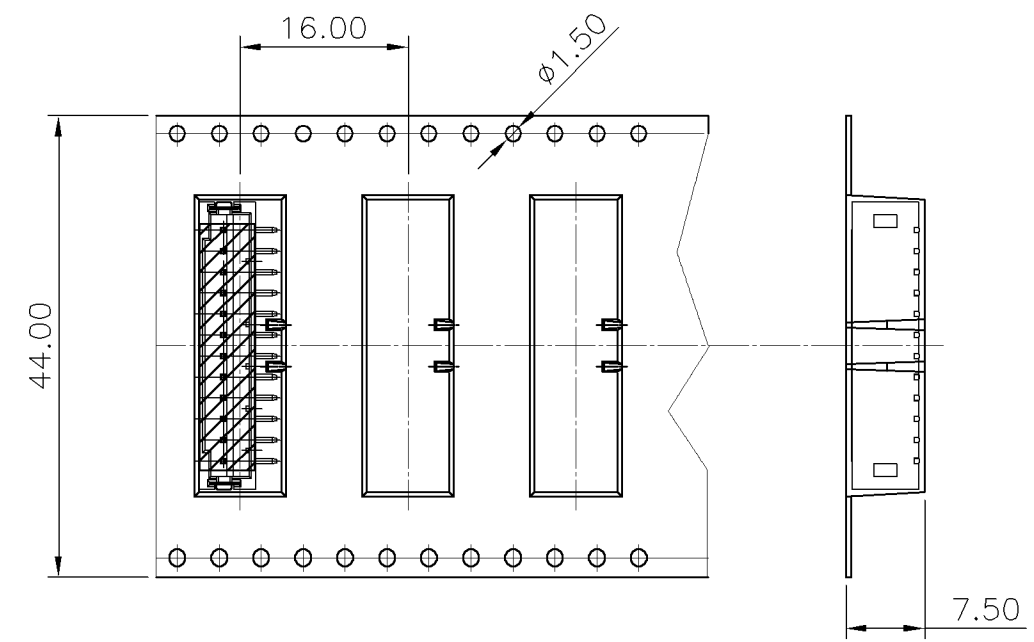
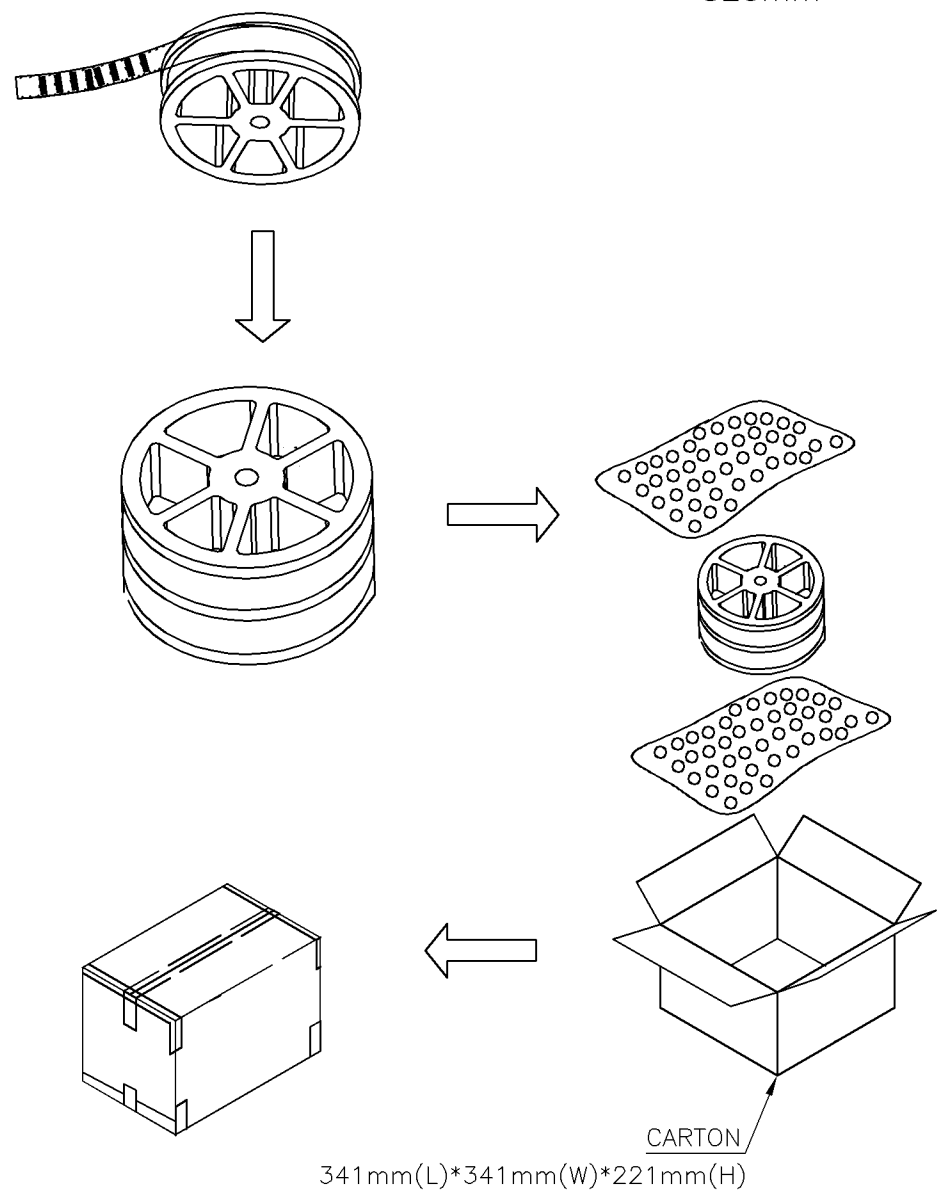
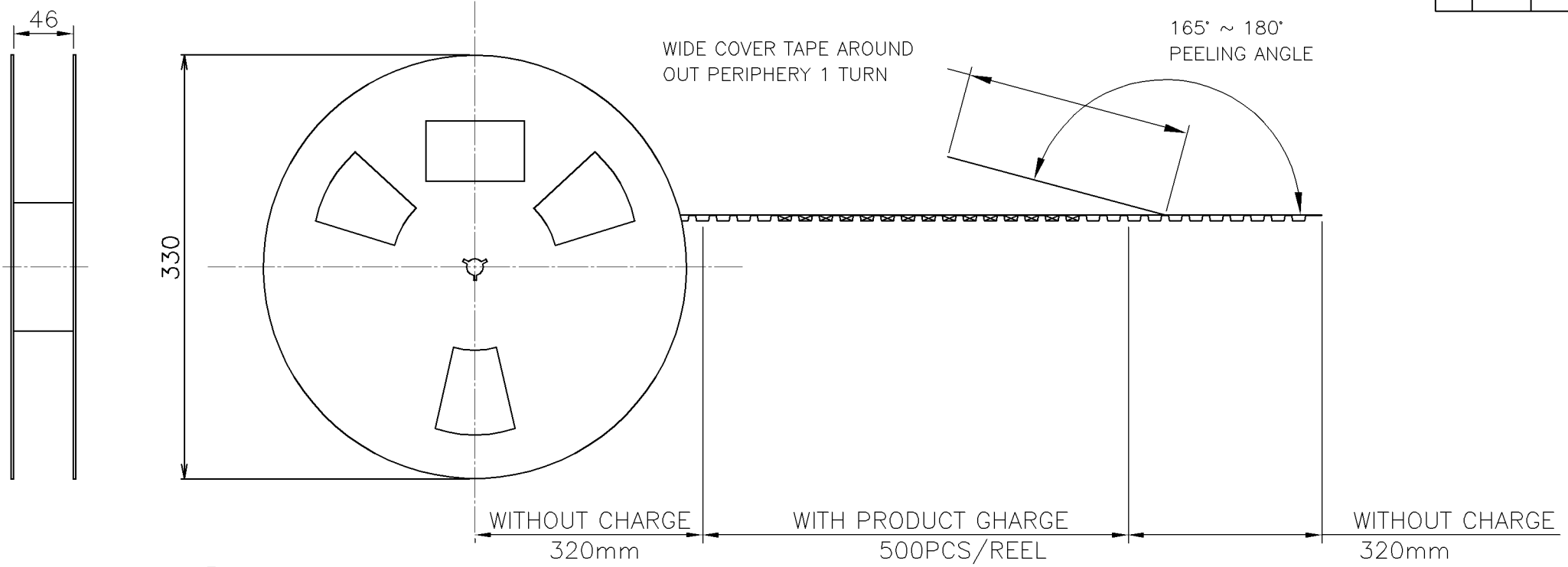
42.0	39.2	41.1	35.00	15	1-1775317-5
39.5	36.7	38.6	32.50	14	1-1775317-4
37.0	34.2	36.1	30.00	13	1-1775317-3
34.5	31.7	33.6	27.50	12	1-1775317-2
32.0	29.2	31.1	25.00	11	1-1775317-1
29.5	26.7	28.6	22.50	10	1-1775317-0
27.0	24.2	26.1	20.00	9	1775317-9
24.5	21.7	23.6	17.50	8	1775317-8
22.0	19.2	21.1	15.00	7	1775317-7
19.5	16.7	18.6	12.50	6	1775317-6
17.0	14.2	16.1	10.00	5	1775317-5
14.5	11.7	13.6	7.50	4	1775317-4
12.0	9.2	11.1	5.00	3	1775317-3
9.5	6.7	8.6	2.50	2	1775317-2
DIM D	DIM C	DIM B	DIM A	POS.	PART NUMBER
DIMENSIONS					

- NOTE:
- MATERIAL:
HOUSING: PA9T, VIRGIN, UL 94V-0, COLOR: NATURAL.
CONTACTS: BRASS.
 - FINISH:
CONTACTS: 2.0µm [80µ"] MIN. MATTE-TIN OVER 1.27µm [50µ"] MIN.
NICKEL ON ENTIRE CONTACT.
 - REFLOW SOLDER CAPABLE TO 260°C PER TYCO TEST SPEC.
109-201, CONDITION B.

THIS DRAWING IS A CONTROLLED DOCUMENT.		DWN O. HU 10JAN2006	Tyco Holdings (Bermuda) VII Ltd. Taiwan Branch				
DIMENSIONS: MM		CHK S. HOU 10JAN2006					
TOLERANCES UNLESS OTHERWISE SPECIFIED:		APVD W.J. KE 10JAN2006	NAME				
0 PLC ± - 1 PLC ± 0.25 2 PLC ± 0.15 3 PLC ± 0.05 4 PLC ± - ANGLES ± 3°		PRODUCT SPEC 108-57099	HPI CONN., 2.5MM PITCH V/T, SMT TYPE				
MATERIAL SEE NOTE		QUALIFICATION TEST REPORT 501-57057	SIZE A3	CAGE CODE 00779	DRAWING NO C-1775317	RESTRICTED TO -	
FINISH SEE NOTE		WEIGHT --	CUSTOMER DRAWING		SCALE -	SHEET 1 OF 2	REV A

THIS DRAWING IS UNPUBLISHED. RELEASED FOR PUBLICATION
 © COPYRIGHT BY TYCO ELECTRONICS CORPORATION. ALL RIGHTS RESERVED.

LOC	DIST	REVISIONS					
DW	—	P	LTR	DESCRIPTION	DATE	DWN	APVD
				SEE SHEET 1.			



1,500	500	15	1-1775317-5
1,500	500	14	1-1775317-4
1,500	500	13	1-1775317-3
1,500	500	12	1-1775317-2
1,500	500	11	1-1775317-1
2,000	500	10	1-1775317-0
2,000	500	9	1775317-9
2,000	500	8	1775317-8
2,000	500	7	1775317-7
2,500	500	6	1775317-6
2,500	500	5	1775317-5
2,500	500	4	1775317-4
2,500	500	3	1775317-3
2,500	500	2	1775317-2
PCS/CARTON	PCS/REEL	POS.	PART NUMBER

THIS DRAWING IS A CONTROLLED DOCUMENT.

DWN	O. HU	10JAN2006	 Tyco Holdings (Bermuda) VII Ltd. Taiwan Branch
CHK	S. HOU	10JAN2006	
APVD	W.J. KE	10JAN2006	
PRODUCT SPEC			
APPLICATION SPEC			NAME
WEIGHT	-		SIZE
CUSTOMER DRAWING			CAGE CODE
			DRAWING NO
			RESTRICTED TO
			SCALE
			SHEET
			REV

DIMENSIONS: MM
 TOLERANCES UNLESS OTHERWISE SPECIFIED:
 0 PLC ± -
 1 PLC ± -
 2 PLC ± -
 3 PLC ± -
 4 PLC ± -
 ANGLES ± -
 MATERIAL -
 FINISH -

HPI CONN., 2.5MM PITCH V/T, SMT TYPE
 A3 C-1775317
 2 OF 2 REV A