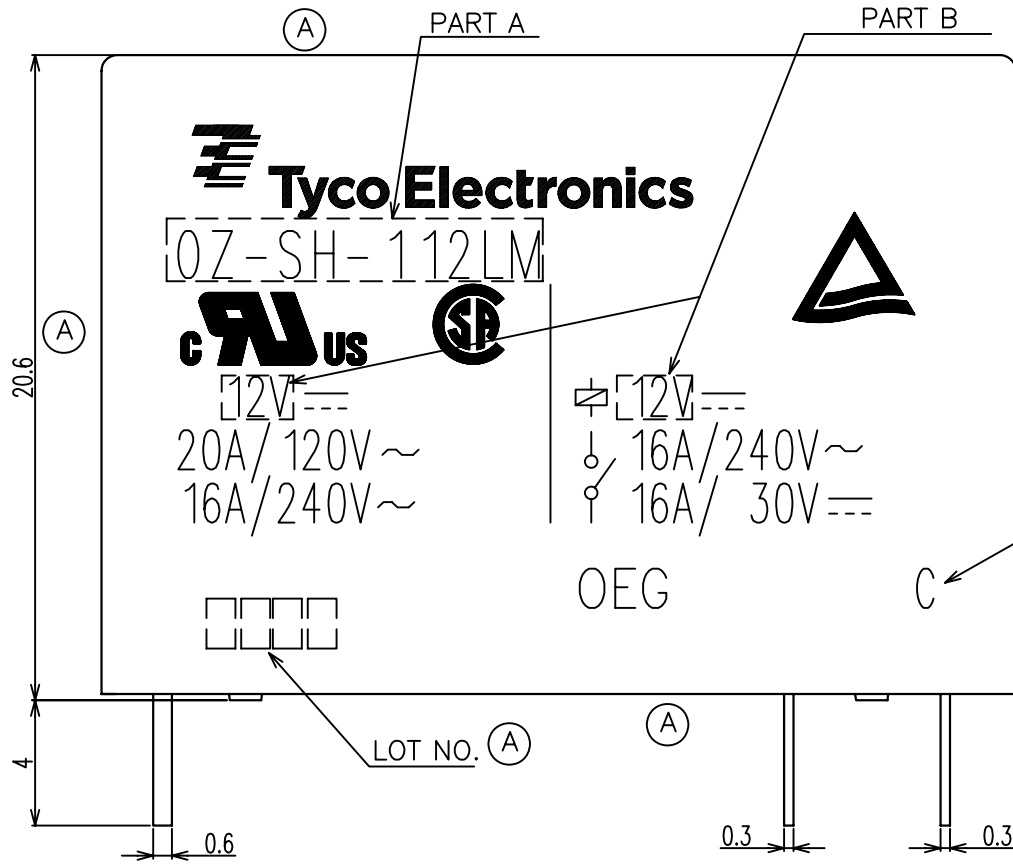
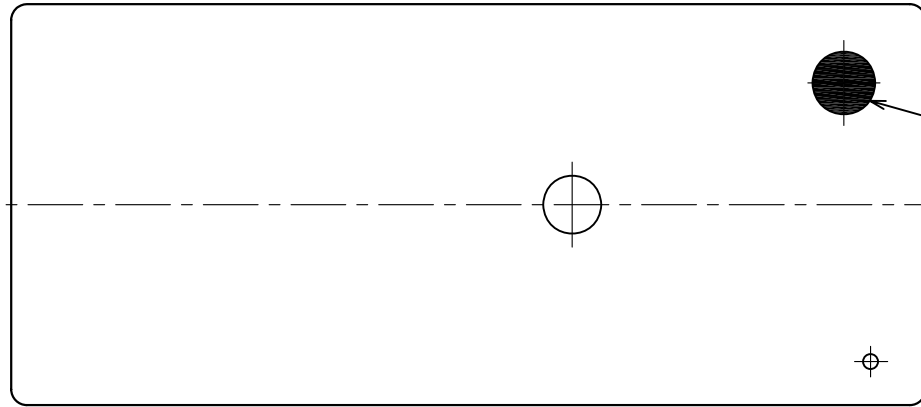


THIS DRAWING IS UNPUBLISHED. RELEASED FOR PUBLICATION
 © COPYRIGHT BY TYCO ELECTRONICS CORPORATION. ALL RIGHTS RESERVED.

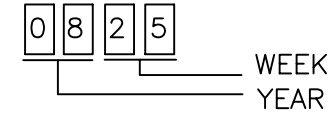
LOC HB DIST

REVISIONS

P	LTR	DESCRIPTION	ECN	DATE	DWN	APVD
	O	RELEASE	FK00-0229-04	31-JAN-05	SM.C	N.F
	A	CHANGE DATE CODE AND NEW LOGO	ECO-08-007865	2-AUG-08	MH.L	BH.Y

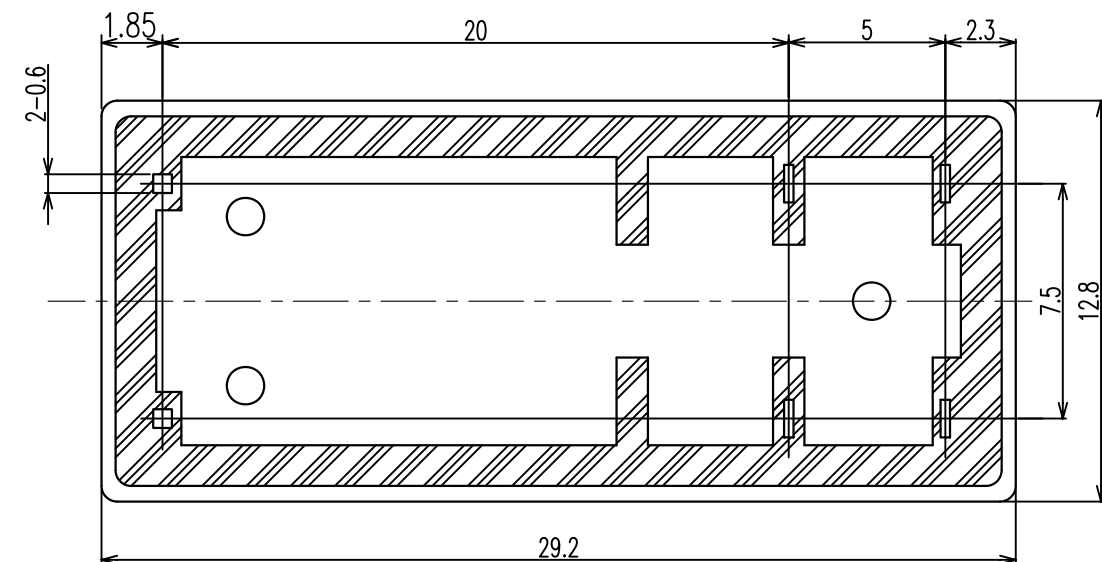


NOTES:
 1. TERMINAL DIMENSION IS NOT INCLUDING SOLDER TIP.
 2. LOT NO. SYSTEM AS FOLLOING:



3. GENERAL TOLERANCE AS FOLLOING:

TOLERANCE	
0~0.99mm	±0.1
1mm~2.99mm	±0.2
3mm MIN.	±0.3



THIS DRAWING IS A CONTROLLED DOCUMENT FOR TYCO ELECTRONICS CORPORATION IT IS SUBJECT TO CHANGE AND THE CONTROLLING ENGINEERING ORGANIZATION SHOULD BE CONTACTED FOR THE LATEST REVISION.

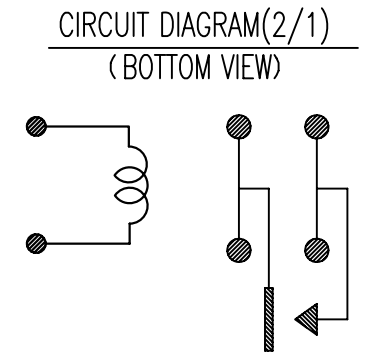
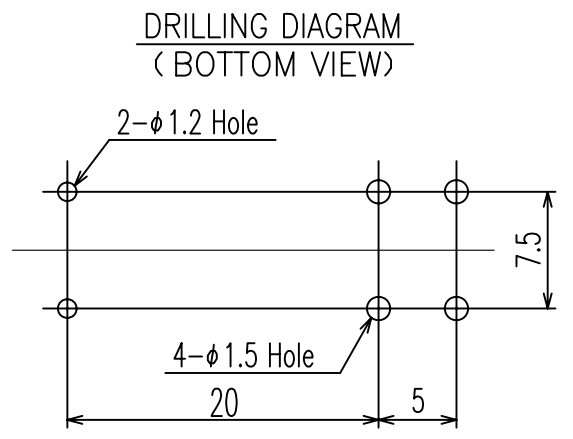
DIMENSIONS: mm	TOLERANCES UNLESS OTHERWISE SPECIFIED: 0 PLC ± 1 PLC ± 2 PLC ± 3 PLC ± 4 PLC ± ANGLES ±
MATERIAL -	FINISH -

DWN SHIMING.CHEN	Tyco Electronics Tyco Electronics Corporation ShenZhen, China	
CHK WAYNE.PENG	NAME	
APVD FUNAYAMA.NAOYA	OZ-1M CUSTOMER DRAWING	
PRODUCT SPEC -	SIZE A3	CAGE CODE 00779
APPLICATION SPEC -	DRAWING NO. 1440002-5	RESTRICTED TO -
WEIGHT -	SCALE 4:1	SHEET 1 OF 2
CUSTOMER DRAWING	REV A	

LOC	DIST	REVISIONS 変更						
		P	LTR	DESCRIPTION	ECN	DATE	DWN	APVD

1-1461250-9	OZ-SH-148LM1, 294	48V	OZ-SH-148LM1	x
1-1461250-7	OZ-SH-148DM1, 294	48V	OZ-SH-148DM1	w
1-1461250-5	OZ-SH-124LM1, 294	24V	OZ-SH-124LM1	v
1-1461250-3	OZ-SH-109LM1, 294	9V	OZ-SH-109LM1	u
1-1461250-1	OZ-SH-109DM1, 294	9V	OZ-SH-109DM1	t
0-1461250-9	OZ-SH-106LM1, 294	6V	OZ-SH-106LM1	s
0-1461250-7	OZ-SH-106DM1, 294	6V	OZ-SH-106DM1	r
0-1461250-4	OZ-SH-105DM1, 294	5V	OZ-SH-105DM1	q
0-1-1440002-0	OZ-SH-124DM1, 294	24V	OZ-SH-124DM1	p
0-1440002-8	OZ-SH-112LM1, 294	12V	OZ-SH-112LM1	o
0-1440002-5	OZ-SH-105LM1, 294	5V	OZ-SH-105LM1	n
7-1440009-5	OZ-SS-103LM1, 200	3V	OZ-SS-103LM1	m
0-1461355-1	OZ-SS-118DM1, 200	18V	OZ-SS-118DM1	l
0-1461251-5	OZ-SS-105DM1, 200	5V	OZ-SS-105DM1	k
0-1461251-4	OZ-SS-109DM1, 200	9V	OZ-SS-109DM1	j
0-1461251-3	OZ-SS-105LM1, 200	5V	OZ-SS-105LM1	i
3-1440002-0	OZ-SS-148DM1, 200	48V	OZ-SS-148DM1	h
2-1440002-9	OZ-SS-124LM1, 200	24V	OZ-SS-124LM1	g
2-1440002-6	OZ-SS-124DM1, 200	24V	OZ-SS-124DM1	f
2-1440002-4	OZ-SS-112LM1, 200	12V	OZ-SS-112LM1	e
2-1440002-2	OZ-SS-112DM1, 200	12V	OZ-SS-112DM1	d
2-1440002-0	OZ-SS-109LM1, 200	9V	OZ-SS-109LM1	c
1-1440002-7	OZ-SS-106LM1, 200	6V	OZ-SS-106LM1	b
1-1440002-5	OZ-SS-106DM1, 200	6V	OZ-SS-106DM1	a
PART NO	EC TYPE NAME	PART B	PART A	ITEM

RELAY TYPE



		UV RESIN	UV SEAL	16	
		EPOXY RESIN	SEAL	15	
		Cu ALLOY	HINGE SPRING	14	
		PBT	CASE	13	
		MW79	MAGNETIC WIRE	12	
UL94V-0		PET	BASE	11	
UL94HB		PBT	BOBBIN	10	
	SOLDER DIP	Cu ALLOY	COIL TERMINAL	9	
UL94V-0		PPS	CARD	8	
		Ag ALLOY	MOVABLE CONTACT	7	
		Ag ALLOY	STATIONARY CONTACT	6	
	SOLDER DIP	Cu ALLOY	MOVABLE SPRING	5	
	SOLDER DIP	Cu ALLOY	NO-TERMINAL	4	
		Ni PLATED	STEEL	CORE	3
		Ni PLATED	STEEL	ARMATURE	2
		Ni PLATED	STEEL	YOKE	1
INCOMBUSTIBILITY	TREATMENT	MATERIAL	DESCRIPTION	ITEM	

THIS DRAWING IS A CONTROLLED DOCUMENT FOR TYCO ELECTRONICS CORPORATION IT IS SUBJECT TO CHANGE AND THE CONTROLLING ENGINEERING ORGANIZATION SHOULD BE CONTACTED FOR THE LATEST REVISION.		DWN	Tyco Electronics Corporation ShenZhen, China			
DIMENSIONS: mm		CHK				
TOLERANCES UNLESS OTHERWISE SPECIFIED:		APVD	NAME			
0 PLC ± 1 PLC ± 2 PLC ± 3 PLC ± 4 PLC ± ANGLES ±		PRODUCT SPEC	OZ-1M CUSTOMER DRAWING			
MATERIAL		APPLICATION SPEC	SIZE	CAGE CODE	DRAWING NO	RESTRICTED TO
FINISH		WEIGHT	A3	00779	1440002-5	-
CUSTOMER DRAWING			SCALE	SHEET	REV	
			4 : 1	2 OF 2	A	