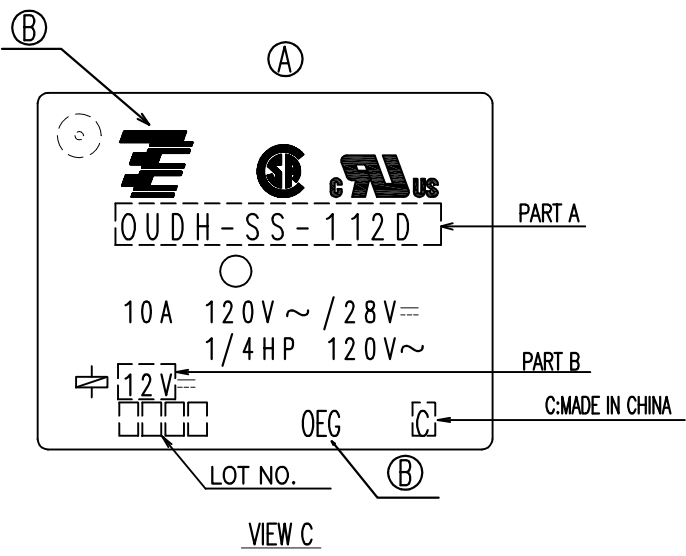
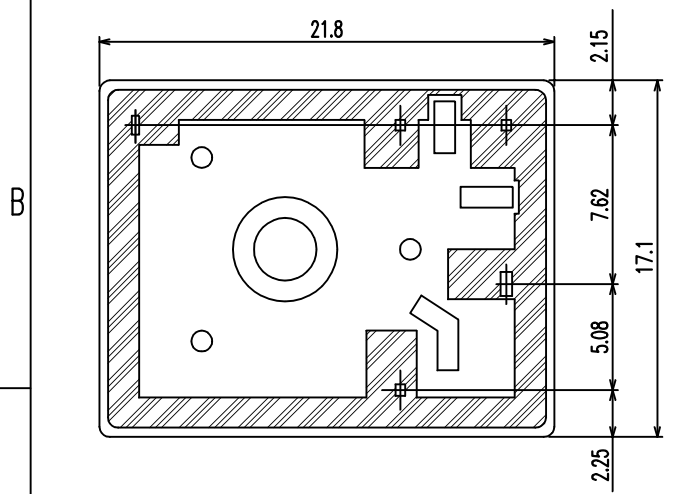
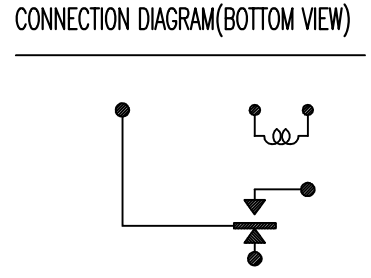
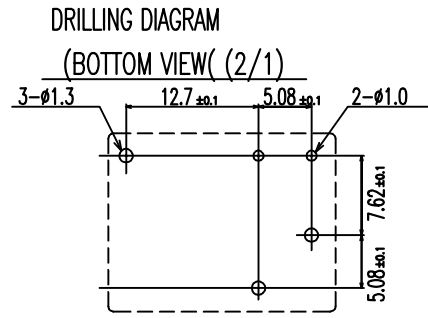
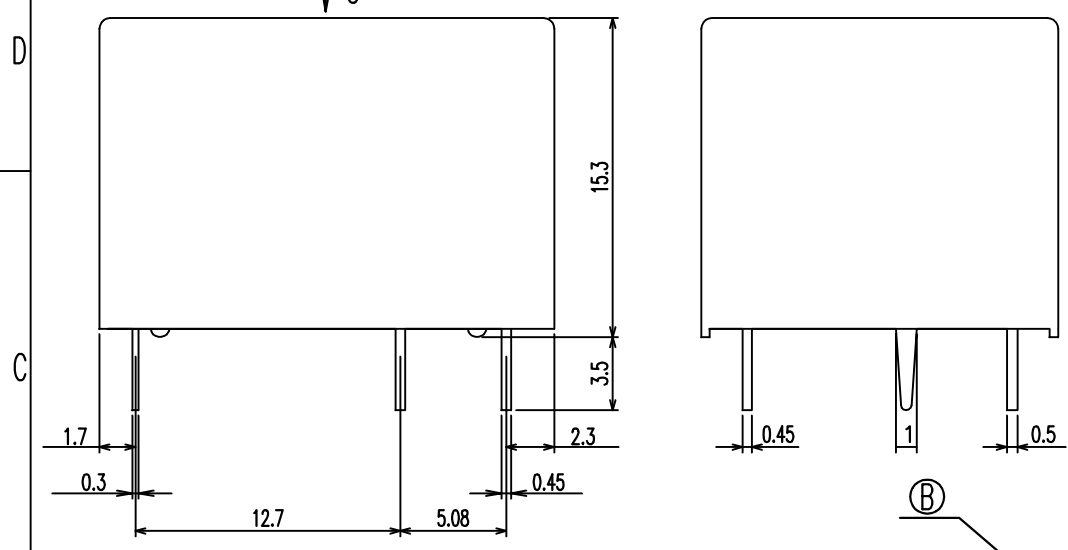


THIS DRAWING IS UNPUBLISHED. RELEASED FOR PUBLICATION
 © COPYRIGHT BY TYCO ELECTRONICS CORPORATION. ALL RIGHTS RESERVED.

LOC		DIST		REVISIONS					
P	LTR	DESCRIPTION		ECN	DATE	DWN	APVD		
0		RELEASE			31-MAR-03	H.S	A.N		
A		CHNAGE MARKING AND LOT NO.		ECO-07-026191	20-FEB-08	S.Z.Z	B.H.Y		
B		CHANGE TE LOGO		ECO-08-020473	29-AUG-08	Z.Z	B.H.Y		
B1		MODIFY MISTAKE		ECO-09-001282	12-AUG-09	Z.Z	B.H.Y		



GENERAL TOLERANCE

DIMENTION TOLERANCE	
Max. 1mm	±0.1
1mm~Max. 3mm	±0.2
Min. 3mm	±0.3

THIS DRAWING IS A CONTROLLED DOCUMENT FOR TYCO ELECTRONICS CORPORATION IT IS SUBJECT TO CHANGE AND THE CONTROLLING ENGINEERING ORGANIZATION SHOULD BE CONTACTED FOR THE LATEST REVISION.		DWN	H.SASAKI		Tyco Electronics Corporation Shenzhen, China			
		CHK	N.FUNAYAMA					
		APVD	A.NAGAI		NAME			
		PRODUCT SPEC			OUDH-D SPEC,000 CUSTOMER DRAWING			
		APPLICATION SPEC			RESTRICTED TO			
		WEIGHT	-		SIZE	CAGE CODE	DRAWING NO	
		MATERIAL		-		A3	00779	©= 3-1440007-0
		FINISH		-		SCALE 4:1		
		CUSTOMER DRAWING				SHEET	1 OF 2	
						REV B1		

THIS DRAWING IS UNPUBLISHED.

RELEASED FOR PUBLICATION

© COPYRIGHT

BY TYCO ELECTRONICS CORPORATION. ALL RIGHTS RESERVED.

LOC
HB

DIST

REVISIONS

P	LTR	DESCRIPTION	ECN	DATE	DWN	APVD

ⓑ	1461249-1	OU DH-SH-148D ,000	48V	OU DH-SH-148D	j
ⓑ	7-1419129-4	OU DH-SH-124D ,000	24V	OU DH-SH-124D	i
ⓑ	7-1419129-2	OU DH-SH-112D ,000	12V	OU DH-SH-112D	h
	7-1419145-4	OU DH-SH-106D ,000	6V	OU DH-SH-106D	g
	7-1419145-3	OU DH-SH-105D ,000	5V	OU DH-SH-105D	f
	8-1419129-5	OU DH-SS-124D ,000	24V	OU DH-SS-124D	e
	8-1419129-0	OU DH-SS-112D ,000	12V	OU DH-SS-112D	d
	7-1419129-6	OU DH-SS-109D ,000	9V	OU DH-SS-109D	c
	7-1419129-5	OU DH-SS-106D ,000	6V	OU DH-SS-106D	b
	3-1440007-0	OU DH-SS-105D ,000	5V	OU DH-SS-105D	a
	TE PART NO.	DESCRIPTION	PART B	PART A	ITEM

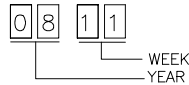
RELAY TYPE

NOTES

1.-SS--PLASTIC SEALD TYPE

-SH--WASHABLE TYPE

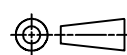
Ⓐ 2.LOT NO. SYSTEM AS FOLLOWING:



THIS DRAWING IS A CONTROLLED DOCUMENT FOR TYCO ELECTRONICS CORPORATION
IT IS SUBJECT TO CHANGE AND THE CONTROLLING ENGINEERING ORGANIZATION
SHOULD BE CONTACTED FOR THE LATEST REVISION.

DIMENSIONS:

mm



TOLERANCES UNLESS OTHERWISE SPECIFIED:

0 PLC +
1 PLC +
2 PLC +
3 PLC +
ANGLES +
FINISH

MATERIAL

FINISH

DWN

CHK

APVD

PRODUCT SPEC

APPLICATION SPEC

WEIGHT

CUSTOMER DRAWING



Tyco Electronics Corporation
Shenzhen, China

NAME

OU DH-D SPEC,000 CUSTOMER DRAWING

SIZE

CAGE CODE

DRAWING NO

3-1440007-0

RESTRICTED TO

A3

00779

©

3-1440007-0

SCALE 4:1

SHEET

2 OF 2

REV B1