

THIS DRAWING IS UNPUBLISHED. RELEASED FOR PUBLICATION  
 © COPYRIGHT BY TYCO ELECTRONICS CORPORATION. ALL RIGHTS RESERVED.

LOC	HH	DIST	REVISIONS						
			P	LTR	DESCRIPTION	ECN	DATE	DWN	APVD
			A		RELEASE		18-MAY-05	H.S	A.N
			A1		ADD TYPE	ECO-06-005615	07-MAR-06	WJQ	AY
			B		CHANGE TE LOGO	ECO-08-020474	12-SEP-08	Z,Z	BH,Y

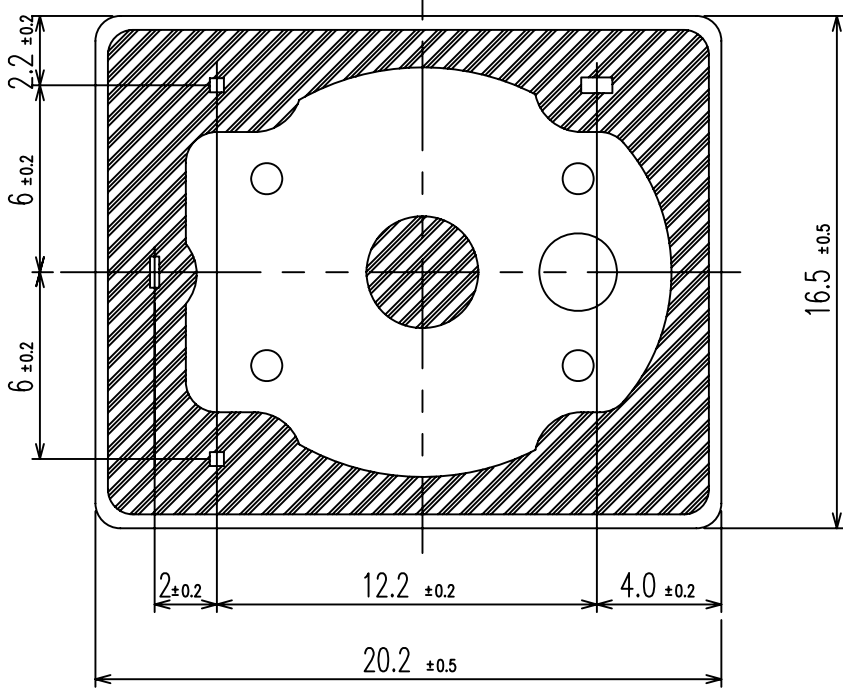
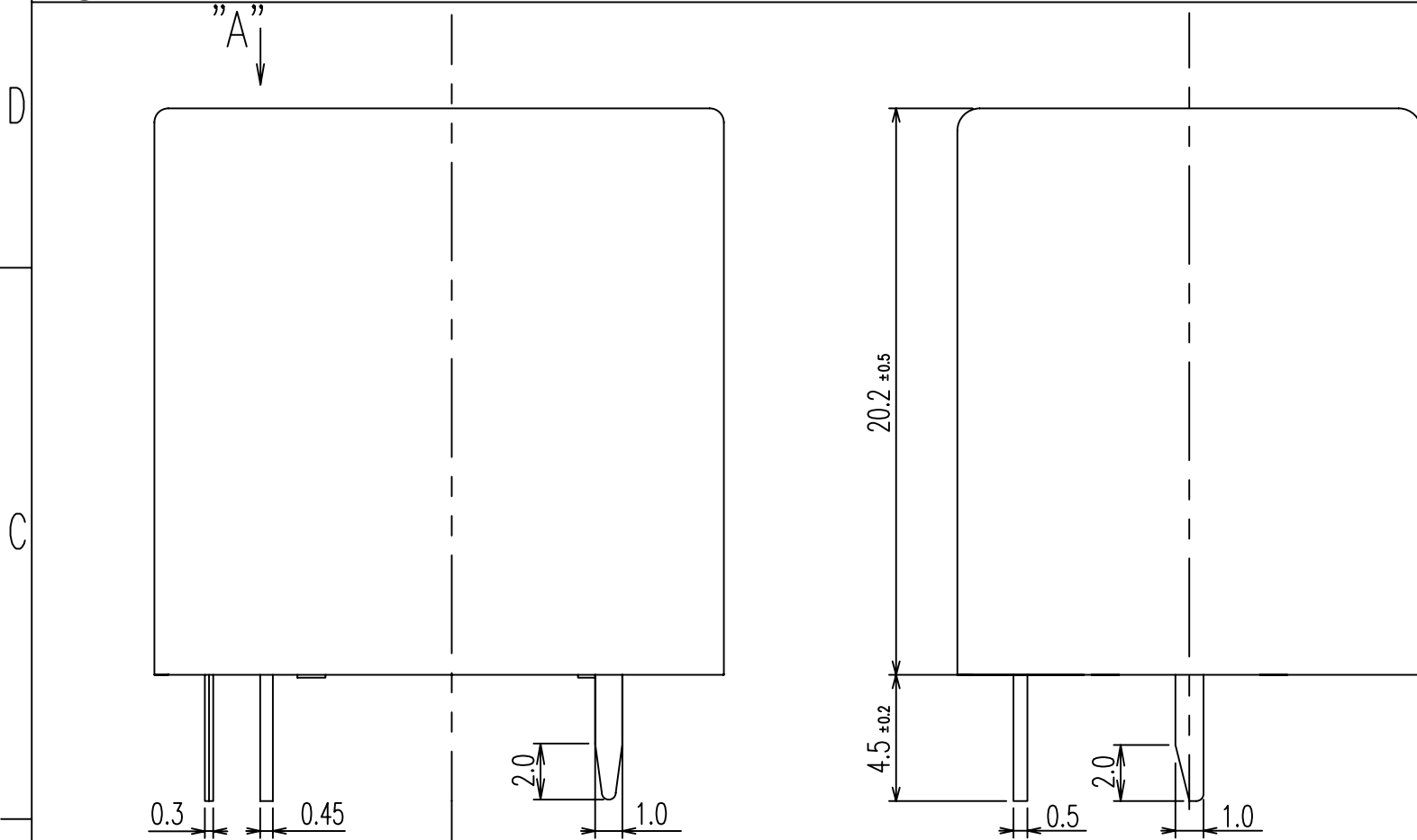
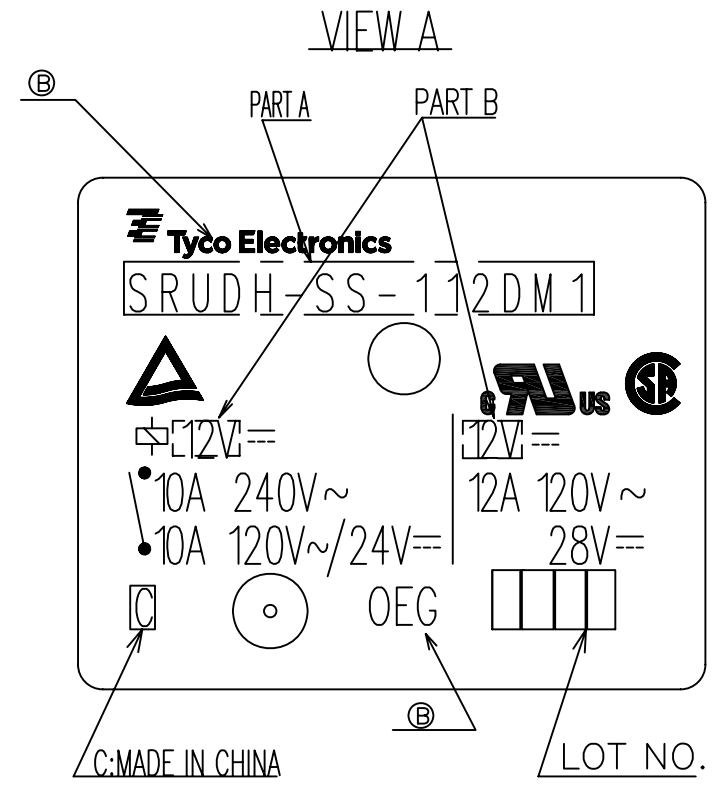
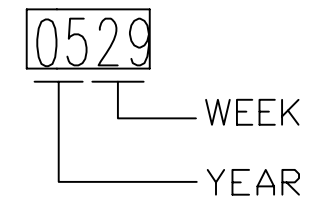


Diagram dimension	Tolerance
0.99mm max.	±0.1mm
1 - 2.99mm	±0.2mm
3mm min.	±0.3mm



NOTE  
 1. LOT NO SYSTEM AS FOLLOWING:



THIS DRAWING IS A CONTROLLED DOCUMENT FOR TYCO ELECTRONICS CORPORATION IT IS SUBJECT TO CHANGE AND THE CONTROLLING ENGINEERING ORGANIZATION SHOULD BE CONTACTED FOR THE LATEST REVISION.		DWN H.SASAKI		Tyco Electronics Corporation ShenZhen, China	
DIMENSIONS: mm		CHK Y.OIKAWA			
TOLERANCES UNLESS OTHERWISE SPECIFIED:		APVD A.NAGAI		NAME	
0 PLC ±		PRODUCT SPEC -		SRUDH-DM1,000B SPECIAL	
1 PLC ±		APPLICATION SPEC -			
2 PLC ±		WEIGHT -		SIZE A3	CAGE CODE 00779
3 PLC ±		CUSTOMER DRAWING		DRAWING NO. 1721440	RESTRICTED TO -
4 PLC ±		SCALE 4:1		SHEET 1 OF 2	REV B
ANGLES ±					
FINISH -					

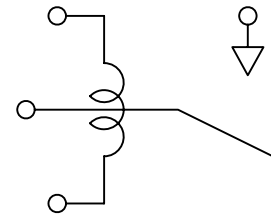
THIS DRAWING IS UNPUBLISHED. RELEASED FOR PUBLICATION  
 © COPYRIGHT BY TYCO ELECTRONICS CORPORATION. ALL RIGHTS RESERVED.

LOC	DIST	REVISIONS						
		P	LTR	DESCRIPTION	ECN	DATE	DWN	APVD
HH								

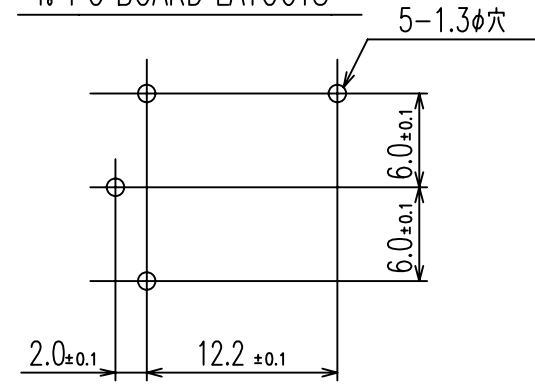
3-1419146-3	SRUDH-SS-105DM1	107-79007	5V	SRUDH-SS-105DM1	y	(B)
3-1419146-2	SRUDH-SH-148DM1	107-79007	48V	SRUDH-SH-148DM1	x	(A1)
9-1419126-0	SRUDH-SH-124DM1	107-79007	24V	SRUDH-SH-124DM1	w	(A1)
1461902-1	SRUDH-SH-115DM1	107-79007	15V	SRUDH-SH-115DM1	v	(A1)
8-1419126-4	SRUDH-SH-112DM1	107-79007	12V	SRUDH-SH-112DM1	u	(A1)
3-1419146-1	SRUDH-SH-109DM1	107-79007	9V	SRUDH-SH-109DM1	t	(A1)
7-1419126-8	SRUDH-SH-106DM1	107-79007	6V	SRUDH-SH-106DM1	s	(A1)
3-1419146-0	SRUDH-SH-105DM1	107-79007	5V	SRUDH-SH-105DM1	r	(A1)
2-1419146-8	SRUDH-SH-103DM1	107-79007	3V	SRUDH-SH-103DM1	q	(A1)
1-1721440-6	SRUDH-SH-148DM1	107-79033	48V	SRUDH-SH-148DM1	p	(A1)
1-1721440-5	SRUDH-SH-124DM1	107-79033	24V	SRUDH-SH-124DM1	o	(A1)
1-1721440-4	SRUDH-SH-118DM1	107-79033	18V	SRUDH-SH-118DM1	n	(A1)
1-1721440-3	SRUDH-SH-112DM1	107-79033	12V	SRUDH-SH-112DM1	m	(A1)
1-1721440-2	SRUDH-SH-109DM1	107-79033	9V	SRUDH-SH-109DM1	l	(A1)
1-1721440-1	SRUDH-SH-106DM1	107-79033	6V	SRUDH-SH-106DM1	k	(A1)
1-1721440-0	SRUDH-SH-105DM1	107-79033	5V	SRUDH-SH-105DM1	j	(A1)
1721440-9	SRUDH-SH-103DM1	107-79033	3V	SRUDH-SH-103DM1	i	(A1)
1721440-8	SRUDH-SS-148DM1	107-79033	48V	SRUDH-SS-148DM1	h	(A1)
1721440-7	SRUDH-SS-124DM1	107-79033	24V	SRUDH-SS-124DM1	g	(A1)
1721440-6	SRUDH-SS-118DM1	107-79033	18V	SRUDH-SS-118DM1	f	(A1)
1721440-5	SRUDH-SS-112DM1	107-79033	12V	SRUDH-SS-112DM1	e	(A1)
1721440-4	SRUDH-SS-109DM1	107-79033	9V	SRUDH-SS-109DM1	d	(A1)
1721440-3	SRUDH-SS-106DM1	107-79033	6V	SRUDH-SS-106DM1	c	(A1)
1721440-2	SRUDH-SS-105DM1	107-79033	5V	SRUDH-SS-105DM1	b	(A1)
1721440-1	SRUDH-SS-103DM1	107-79033	3V	SRUDH-SS-103DM1	a	(A1)
TE PART NO	DESCRIPTION	PACKING SPECIFICATION	PART B	PART A	ITEM	

RELAY TYPE

3. WIRING DIAGRAMS



4. PC BOARD LAYOUTS



		UV RESIN	UV SEAL(FOR SH TYPE)	14
		EPOXY RESIN	SEAL	13
		UEW	MAGNETIC WIRE	12
UL 94V-0		PBT	CASE	11
UL 94V-0		PBT	BOBBIN	10
		CP WIRE	COIL TERMINAL	9
		Ag ALLOY	STATIONARY CONTACT	8
		Ag ALLOY	MOVABLE CONTACT	7
		Cu ALLOY	DUMMY B-TERMINAL	6
		Cu	M-TERMINAL	5
		Cu ALLOY	MOVABLE SPRING	4
	Ni PLATING	STEEL	CORE	3
	Ni PLATING	STEEL	ARMATURE	2
	Ni PLATING	STEEL	YOKE	1
INCOMBUSTIBILITY	TREATMENT	MATERIAL	DESCRIPTION	ITEM

THIS DRAWING IS A CONTROLLED DOCUMENT FOR TYCO ELECTRONICS CORPORATION IT IS SUBJECT TO CHANGE AND THE CONTROLLING ENGINEERING ORGANIZATION SHOULD BE CONTACTED FOR THE LATEST REVISION.		DWN		Tyco Electronics Corporation ShenZhen, China	
DIMENSIONS: mm		CHK			
TOLERANCES UNLESS OTHERWISE SPECIFIED:		APVD		NAME	
0 PLC ±		PRODUCT SPEC		SRUDH-DM1,000B SPECIAL	
1 PLC ±		APPLICATION SPEC		SIZE	
2 PLC ±		WEIGHT		CAGE CODE	
3 PLC ±		CUSTOMER DRAWING		DRAWING NO	
4 PLC ±				RESTRICTED TO	
ANGLES ±				SCALE	
FINISH				SHEET	
				REV	
				2 OF 2	
				B	

SCALE 4:1 SHEET 2 OF 2 REV B